



Open Frame

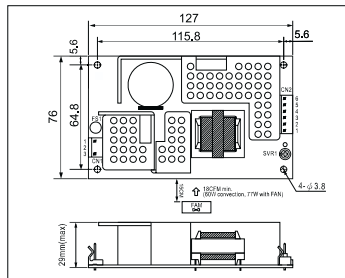
65~110W Dual, Triple, and Quad Output

65W 2~3 Output Switching Power Supply

- Universal AC input / Full range
- Protections: Short circuit / Overload / Over voltage
- Cooling by free air convection
- 12V or 24V high peak current capability
- 60~65W free air convection, 77~80W with 18 CFM forced air
- Low leakage current < 1mA
- 100% full load burn-in test
- **Optional case available (RPD/RPT-65x-C)**
- 2 years warranty capability



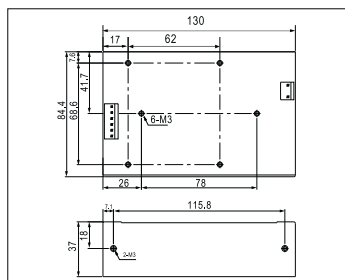
127x 76x 28 mm



▶ With Optional Case



130x 85x 37 mm



AC input voltage range 90~264VAC; 127~370VDC
 AC inrush current Cold start, 25A at 115VAC, 50A at 230VAC
 DC adjustment range CH1: 12V: 11.4~12.8V, 24V: 22.8~26.4V
 Overload protection 90~125W hiccup mode, auto-recovery
 Over voltage protection CH1: 115%~135% rated output voltage
 Leakage current Less than 1mA at 240VAC
 Setup, rise, hold up time 800ms, 20ms, 20ms at full load and 230VAC
 Withstand voltage I/P-O/P: 3kVAC, I/P-FG:1.5kVAC, 1minute
 Working temperature -20~60°C(refer to output derating curve)
 Safety standards UL60950-1, TUV EN60950-1 approved
 EMC standards EN55022 class B, EN61000-3-2,3, EN61000-4-2,3,4,5,6,8,11, ENV50204
 Connection 3P, 6P/ 3.96mm pitch, Molex P/N: 5273-03, 5273-06
 Packing 0.24kg ; 63pcs / 16.0kg / 1.35CUFT

❖ Dual Output

Model No.	Output	Tol.	R&N	Effi.	Max.
RPD-65C □	12V, 0~5.8A	±2%	120mV	79%	60W
	5V, 0~1.5A	±5%	50mV		
RPD-65D □	24V, 0~2.9A	±2%	150mV	81%	60W
	5V, 0~1.5A	±5%	50mV		

❖ Triple Output

Model No.	Output	Tol.	R&N	Effi.	Max.
RPT-65E □	12V, 0.18~5.8A	±2%	120mV	77%	63W
	5V, 0.0~1.5A	±5%	100mV		
	-5V, 0.0~0.7A	±5%	120mV		
RPT-65F □	12V, 0.18~5.8A	±2%	150mV	77%	66W
	5V, 0.0~1.5A	±5%	100mV		
	-12V, 0.0~0.7A	±5%	150mV		
RPT-65G □	24V, 0.09~2.9A	±2%	150mV	81%	66W
	5V, 0.0~1.5A	±5%	50mV		
	12V, 0.0~0.7A	±5%	100mV		

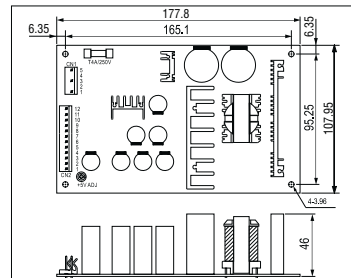
□ = blank, -C ; blank: PCB Type, -C: Enclosed Type

100~110W 2, 4 Output Switching Power Supply

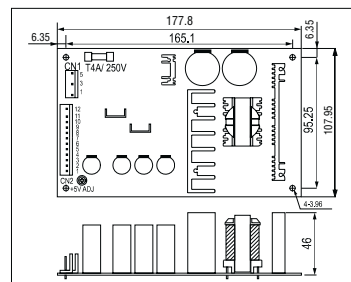
- Universal AC input / Full range
- Power good signal output (option)
- Protections: Short circuit / Overload / Over voltage
- Cooling by free air convection
- 2 years warranty
- **To be discontinued. Using MPD-120 & MPQ-120 as replacement for any new applications is highly recommend.**



PD-110
178x 108x 46 mm



PQ-100
178x 108x 46 mm



AC input voltage range .. 90~264VAC; 127~370VDC
 AC inrush current Cold start, 50A at 230VAC
 DC adjustment range CH1: -5%~+10% rated output voltage
 Overload protection 105%~135% hiccup mode, auto-recovery
 Over voltage protection ..CH1: 115%~135% rated output voltage
 Withstand voltage I/P-O/P: 3kVAC, I/P-FG:1.5kVAC, 1minute
 Working temperature -10°C~60°C (refer to output derating curve)
 Safety standards UL60950-1, TUV EN60950-1 approved
 EMC standards EN55022 class B, EN61000-3-2,3, EN61000-4-2,3,4,5,6,11, ENV50204
 Connection 5+12P/ 3.96mm pitch, Molex: 5273-05,12(PD-110)
 5+6+7P/ 3.96mm pitch, Molex: 5273-05,06,07(PQ-100)
 Packing 0.51kg ; 24pcs / 13.1kg / 1.19CUFT (PD-110)
 0.56kg ; 24pcs / 14.5kg / 1.19CUFT (PQ-100)

❖ Dual Output

Model No.	Output	Tol.	R&N	Effi.	Max.
PD-110A	5V, 0.5~5.0A	±2%	100mV	75%	103W
	12V, 0.5~6.5A	±6%	150mV		
PD-110B	5V, 0.5~5.0A	±2%	100mV	78%	109W
	24V, 0.5~3.5A	±6%	200mV		

❖ Quad Output

Model No.	Output	Tol.	R&N	Effi.	Max.
PQ-100B	5V, 2.0~10A	±3%	80mV	72%	101W
	12V, 0.5~4.5A	±12%	250mV		
	-5V, 0.0~1.0A	±6%	80mV		
	-12V, 0.0~1.0A	±6%	120mV		
PQ-100C	5V, 2.0~8.0A	±2%	80mV	74%	103W
	15V, 0.5~4.0A	±6%	150mV		
	-5V, 0.0~1.0A	±6%	80mV		
	-15V, 0.0~1.0A	±6%	150mV		
PQ-100D	5V, 2.0~5.0A	±2%	80mV	77%	103W
	12V, 0.5~4.5A	±6%	120mV		
	24V, 0.4~2.0A	±10%	180mV		
	-12V, 0.0~1.0A	±6%	120mV		
PQ-100E	5V, 2.0~8.0A	±2%	80mV	74%	99W
	12V, 0.5~3.0A	±6%	120mV		
	15V, 0.0~1.0A	±6%	150mV		
	24V, 0.0~1.0A	±6%	120mV		

Open Frame 100~125W Single, Triple, and Quad Output

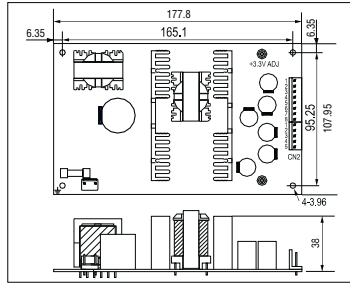


100W Quad Output with PFC Function

- Universal AC input / Full range
- PF>0.98@115VAC; >0.95@230VAC
- Protections: Short circuit / Overload / Over voltage
- Cooling by free air convection
- 100% full load burn-in test
- 3 years warranty



178x 108x 38 mm

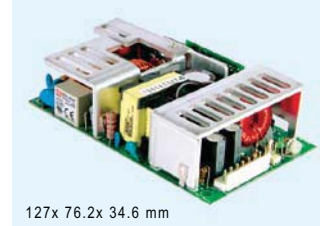


AC input voltage range .. 90~264VAC; 127~370VDC
 AC inrush current Cold start, 40A at 230VAC
 DC adjustment range CH1: -5%~+10% (PPQ-1003: CH1&2 -5%~+10%)
 Overload protection 105%~135% hiccup mode, auto-recovery (PPQ-100)
 105%~135% constant current, auto-recovery (PPQ-1003)
 Over voltage protection .. 3.6V~4.3V for 3.3V ; 5.75V~6.75V for 5.0V
 Leakage current Less than 3.5mA at 240VAC (PPQ-1003: <1mA)
 Setup, rise, hold up time .. 800ms, 50ms, 18ms at full load and 230VAC
 Withstand voltage I/P-O/P: 3kVAC, I/P-FG: 1.5kVAC, 1minute
 Working temperature -10°C~60°C (refer to output derating curve)
 Safety standards UL60950-1, TUV EN60950-1 approved
 EMC standards EN55022 class B, EN61000-3-2,3,
 EN61000-4-2,3,4,5,6,8,11, ENV50204
 Connection 5P+5P+8P/ 3.96mm pitch, P/N:JST B5/5/8P-VH (PPQ-100)
 3P+5P+8P/ 3.96mm pitch, P/N:JST B3/5/8P-VH (PPQ-1003)
 Packing 0.62kg ; 24pcs / 15.5kg / 1.34CUFT (PPQ-1003)
 0.62kg ; 24pcs / 15.9kg / 1.34CUFT (PPQ-100)

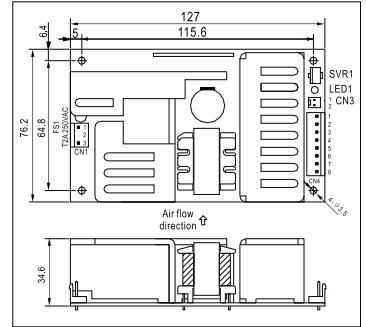
Model No.	Output	Tol.	R&N	Effi.	Max.
PPQ-1003A	3.3V, 0.0~15A	±3%	100mV	72%	109W
	5V, 2.0~15A	±3%	100mV		
	12V, 0.2~3.0A	±6%	150mV		
PPQ-1003B	-5V, 0.0~1.0A	±6%	100mV		
	3.3V, 0.0~15A	±3%	100mV	72%	111W
	5V, 2.0~15A	±3%	100mV		
PPQ-1003C	12V, 0.2~3.0A	±6%	150mV		
	-12V, 0.0~1.0A	±6%	120mV		
	3.3V, 0.0~15A	±3%	100mV	72%	110W
PPQ-1003D	5V, 2.0~15A	±3%	100mV		
	12V, 0.2~3.0A	±6%	150mV		
	24V, 0.0~1.0A	±6%	150mV		
PPQ-100B	5V, 2.0~15A	±3%	100mV	75%	101W
	12V, 0.3~4.0A	±8%	150mV		
	-12V, 0.0~1.0A	±5%	100mV		
PPQ-100C	-5V, 0.0~1.0A	±5%	100mV		
	5V, 2.0~15A	±3%	100mV	76%	101W
	15V, 0.3~4.0A	-6%, +10%	150mV		
PPQ-100D	-15V, 0.0~1.0A	±5%	100mV		
	-5V, 0.0~1.0A	±5%	100mV		
	5V, 2.0~10A	±3%	100mV	78%	102W
	24V, 0.3~4.0A	±8%	200mV		
	12V, 0.0~1.0A	±5%	100mV		
	-12V, 0.0~1.0A	±5%	100mV		

125W 1,3 Output with PFC Function

- Universal AC input/ Full range
- PF>0.98@115VAC, >0.93@230VAC
- High power density 6.117W/in³
- 3"x5" miniature size
- Protections: Short circuit / Overload / Over voltage
- Built-in remote sense for PPS-125
- LED indicator for power on
- Free air convection for 100W and 125W with 18 CFM forced air
- 100% full load burn-in test
- 3 years warranty



127x 76.2x 34.6 mm



AC input voltage range 90~264VAC; 127~370VDC
 AC inrush current Cold start, 24A at 230VAC
 DC adjustment range CH1: ±5% rated output voltage
 Overload protection 130%~160% fold back current limiting, auto-recovery
 Over voltage protection CH1:110%~135% rated output voltage
 Leakage current Less than 2.0 mA at 240VAC
 Setup, rise, hold up time 1000ms, 30ms, 24ms at full load and 230VAC
 Withstand voltage I/P-O/P: 3kVAC, I/P-FG: 1.5kVAC, 1minute
 Working temperature -20°C~70°C (refer to output derating curve)
 Safety standards UL60950-1, TUV EN60950-1 approved
 EMC standards EN55022 class B, EN61000-3-2,3,
 EN61000-4-2,3,4,5,6,8,11, ENV50204
 Connection 3+8P /3.96mm pitch, JST: B3P/B8P-VH (PPS-125)
 3+5Px2 /3.96mm pitch, JST: B3P/B5Px2-VH (PPT-125)
 Packing 0.37kg; 36pcs / 14.3kg / 0.79CUFT

Single Output

Model No.	Output	Tol.	R&N	Effi.
PPS-125-3.3	3.3V, 0~25A	±2%	100mV	70%
PPS-125-5	5V, 0~25A	±2%	100mV	79%
PPS-125-12	12V, 0~10.5A	±2%	100mV	80%
PPS-125-13.5	13.5V, 0~9.3A	±2%	100mV	80%
PPS-125-15	15V, 0~8.4A	±2%	100mV	80%
PPS-125-24	24V, 0~5.2A	±1%	150mV	83%
PPS-125-27	27V, 0~4.6A	±1%	150mV	83%
PPS-125-48	48V, 0~2.6A	±1%	250mV	84%

Triple Output

Model No.	Output	Tol.	R&N	Effi.	Max
PPT-125A	3.3V, 1.0~12.5A	±3%	100mV	75%	99W
	5V, 0.8~10.0A	±5%	100mV		
	12V, 0.05~0.63A	±6%	120mV		
PPT-125B	5V, 1.0~14.38A	±3%	100mV	78%	124W
	12V, 0.3~3.75A	±5%	120mV		
	-12V, 0.05~0.63A	±6%	120mV		
PPT-125C	5V, 1.0~13.75A	±3%	100mV	78%	125W
	15V, 0.25~3.13A	±5%	150mV		
	-15V, 0.05~0.63A	±6%	150mV		
PPT-125D	5V, 1.0~8.75A	±3%	100mV	78%	126W
	24V, 0.25~3.13A	±5%	240mV		
	12V, 0.05~0.63A	±6%	120mV		

Open Frame

150~250W Single and Dual Output

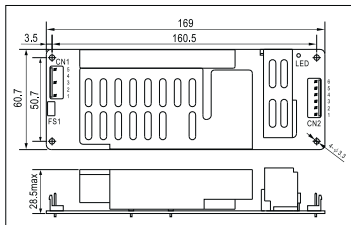


150W Single Output with PFC Function

- Universal AC input / Full range
- PF>0.98@115VAC; >0.95@230VAC
- Protections: Short circuit / Over load / Over voltage / Over temp.
- Cooling by free air convection
- High power density 8.4W/in³
- No load power consumption<1W
- 100% full load burn-in test
- 3 years warranty



169x 60.7x 28.5 mm



AC input voltage range90~264VAC ; 127~370VDC
 DC adjustment range Can be modified between ±10% rated output voltage by factory
 Overload protection 105%~135% hiccup mode, auto-recovery
 Over voltage protection 110%~135% rated output voltage
 Withstand voltage I/P-O/P: 4.25kVDC, I/P-FG:1.5kVAC, 1minute
 Working temperature 0~40°C@100%, -20°C@80%, 60°C@60% load
 Safety standards UL60950-1 approved
 EMC standards EN55022 class B, EN61000-3-2,3, EN61000-4-2,3,4,5,6,8,11, ENV50204
 Connection 5+6P / 3.96mm pitch, JST P/N :B5P / B6P-VH
 Packing 0.32kg ; 48pcs / 15.8kg / 0.79CUFT

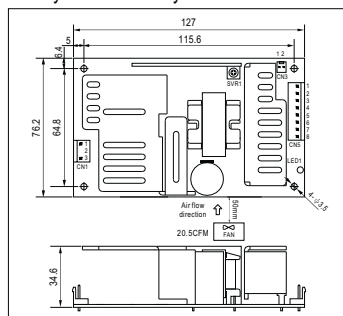
Model No.	Output	Tol.	R&N	Effi.
ASP-150-12	12V, 0~11A	±2%	150mV	88%
ASP-150-15	15V, 0~9.5A	±2%	180mV	88%
ASP-150-20	20V, 0~7.5A	±1%	200mV	90%
ASP-150-24	24V, 0~6.3A	±1%	240mV	90%
ASP-150-48	48V, 0~3.2A	±1%	240mV	89%

200W Single Output with PFC Function

- Universal AC input / Full range
- High efficiency up to 90%
- PF>0.98@115VAC; >0.94@230VAC
- Protections: Short circuit / Over load / Over voltage / Over temp.
- High power density 9.78W/inch³
- 5"x3" compact size
- ZVS technology to reduce power dissipation
- Built-in remote sense function
- Free air convection for 150W and 200W with 20.5 CFM forced air
- 3 years warranty



127x 76.2x 34.6 mm



AC input voltage range 90~264VAC; 127~370VDC
 DC adjustment range ±10% rated output voltage
 Overload protection 105%~135% hiccup mode, auto-recovery
 Over voltage protection 115%~135% rated output voltage
 Withstand voltage I/P-O/P: 3kVAC, I/P-FG:1.5kVAC, 1minute
 Working temperature -20°C~70°C (refer to output derating curve)
 Safety standards UL60950-1, TUV EN60950-1 approved
 EMC standards EN55022 class B, EN61000-3-2,3 EN61000-4-2,3,4,5,6,8,11, ENV50204
 Connection 3+8P / 3.96mm pitch, JST B3P / B8P-VH
 Packing 0.37kg ; 36pcs / 14.3kg / 0.79CUFT

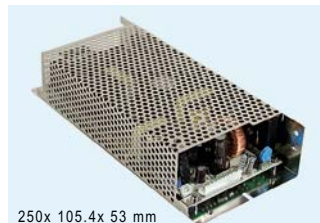
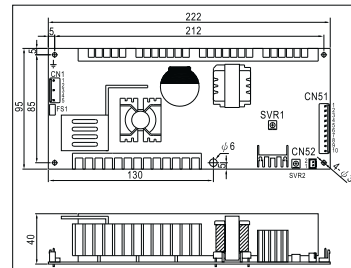
Model No.	Output	Tol.	R&N	Effi.
PPS-200-5	5V, 0~36.0A	±4%	100mV	86%
PPS-200-12	12V, 0~16.6A	±3%	100mV	89%
PPS-200-15	15V, 0~13.3A	±3%	100mV	89%
PPS-200-24	24V, 0~8.30A	±2%	150mV	89%
PPS-200-27	27V, 0~7.40A	±2%	150mV	89%
PPS-200-48	48V, 0~4.167A	±2%	250mV	90%

250W Isolated Dual Output with PFC Function

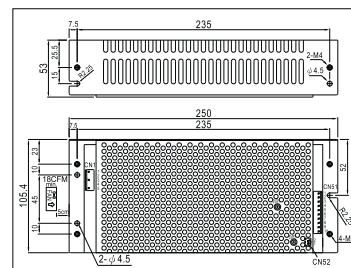
- Universal AC input / Full range
- Isolated output & GND for CH1,CH2
- PF>0.97@115VAC; >0.92@230VAC
- Protections: Short circuit / Overload / Over voltage / Over temp.
- Optional case available
- Cooling by free air convection
- Remote control function for CH1
- Peak load 170% for 10 sec. (CH1)
- 100% full load burn-in test
- 3 years warranty



222x 95x 40 mm



250x 105.4x 53 mm



AC input voltage range 90~264VAC; 127~370VDC
 AC inrush current Cold start, 58A at 230VAC
 Leakage current Less than 3.5mA at 240VAC
 DC adjustment range ±10% for CH1; ±5% for CH2
 Overload protection(CH1) 105%~170% normally operation, shut off after 10 sec.; >180%, constant current, shut off after 10 sec.
 (CH2) 101%~150% hiccup mode, auto-recovery
 Over voltage protection CH1: 115%~140%, CH2: 110%~135%
 Setup, rise, hold up time 1200ms, 60ms, 30ms at full load and 230VAC
 Withstand voltage I/P-O/P:3.0kVAC, I/P-FG:1.5kVAC, 1minute
 Working temperature -20°C~70°C (refer to output derating curve)
 Safety standards UL60950-1, TUV EN60950-1 approved
 EMC standards EN55022 class B, EN61000-3-2,-3 EN61000-4-2,3,4,5,6,8,11, ENV50204
 Connection 5+10+2P/3.96mm pitch JST B5P/B10P-VH, B2B-XH
 Packing 0.74Kg ; 18pcs / 14.3Kg / 0.88CUFT

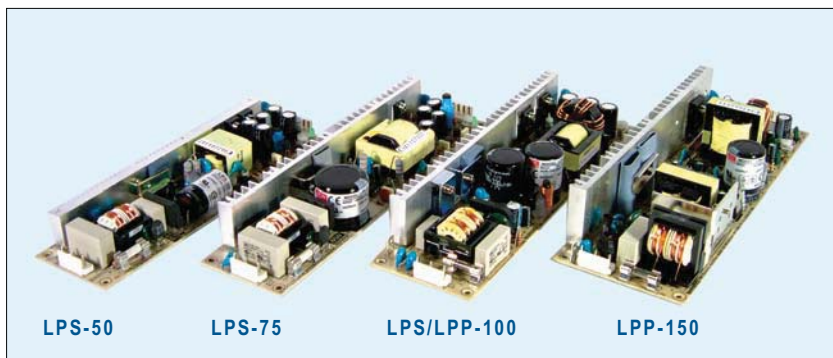
Model No.	Output	Tol.	R&N	Effi.
PID-250A	12V, 0~15A	±3%	120mV	83%
PID-250B	5V, 0~5.0A	±2%	50mV	86%
PID-250C	24V, 0~9.4A	±2%	150mV	86%
PID-250D	5V, 0~5.0A	±2%	50mV	86%
PID-250E	36V, 0~6.3A	±2%	200mV	86%
PID-250F	5V, 0~5.0A	±2%	50mV	86%
PID-250G	48V, 0~4.7A	±2%	200mV	86%
PID-250H	5V, 0~5.0A	±2%	50mV	86%

► Feature Description

PID-250 series is suitable for motor-based equipment with logic control circuit. CH1 with high peak power capability can provide the required surge loading while starting up the motor. The isolated 5V/5A CH2 is good for logic control usage and can still work properly even CH1 is malfunction or at any protection modes. The isolated design between CH1 and CH2 can significantly prevent noise of the motor action from entering control circuits and hence secure the accurate operation of the end equipment.

Open Frame

50~150W Single Output



Features

- Universal AC input / Full range
- Built-in active PFC function (LPP-100/150)
- Protections: Short circuit / Overload / Over voltage
- Optional over temperature protection for LPP-150
- Built-in remote ON/OFF control (LPS-50/75)
- Cooling by free air convection
- 100% full load burn-in test
- 2 years warranty for LPS series
- 3 years warranty for LPP series

LPS-50	LPS-75	LPS/LPP-100	LPP-150

General Specification (Please refer to www.meanwell.com for detail spec.)



Model No.	LPS-50	LPS-75	LPS-100	LPP-100	LPP-150
AC input voltage range	90~264VAC		115/230 auto switch	85~264VAC	
AC inrush current (230VAC)	35A	36A	60A	30A	40A
DC adjustment range	±10% rated output voltage			-5%~+10% rated output voltage	
Overload protection	Range	122%~160%	115%~150%	105%~140%	105%~150% rated output power
	Type	Hiccup mode, auto recovery			Constant current limiting, auto recovery
Over voltage protection	Range	110%~135% of rated output voltage			Shut off, AC recycle to re-start
	Type	Hiccup mode, auto recovery			
Withstand voltage	I/P-O/P: 3kVAC, I/P-FG: 1.5kVAC, O/P-FG: 0.5kVAC, 1 minute				
Working temperature	-20~+70°C (refer to output derating curve)		-10~+60°C (refer to output derating curve)		
Safety standards	UL60950-1, TUV EN60950-1 approved				
EMC standards	EN55022 class B, EN61000-3-2,3, ENV50204, EN61000-4-2,3,4,5,6,8,11 (EN61000-6-2 heavy industry level for LPS-50/75 only)				
Connection	JST B5P / B4P-VH	JST B5P / B6P-VH	5P+8P/3.96mm pitch, JST B5P / B8P-VH		JST B5P / B6Px2-VH
Dimension (L*W*H)(mm)	195x 55x 23	222x 55x 30	222x 62x 32		222x 75x 41
Packing	48pcs / 12.5kg	48pcs / 15.6kg	24pcs / 12.5kg	24pcs / 13.9kg	24pcs / 16.6kg

50W LPS-50

Model No.	Output	Tol.	R&N	Effi.
LPS-50-3.3	3.3V, 0~10A	±3%	50mV	75%
LPS-50-5	5V, 0~10A	±3%	50mV	81%
LPS-50-12	12V, 0~4.2A	±2%	80mV	82%
LPS-50-15	15V, 0~3.4A	±2%	80mV	84%
LPS-50-24	24V, 0~2.1A	±1%	80mV	85%
LPS-50-48	48V, 0~1.1A	±1%	100mV	86%

75W LPS-75

Model No.	Output	Tol.	R&N	Effi.
LPS-75-3.3	3.3V, 0~15A	±3%	80mV	69%
LPS-75-5	5V, 0~15A	±3%	80mV	77%
LPS-75-12	12V, 0~6.2A	±2%	100mV	80%
LPS-75-15	15V, 0~5.0A	±2%	100mV	81%
LPS-75-24	24V, 0~3.2A	±2%	120mV	83%
LPS-75-48	48V, 0~1.56A	±2%	120mV	83%

100W LPS-100

Model No.	Output	Tol.	R&N	Effi.
LPS-100-3.3	3.3V, 0~20A	±3%	150mV	69%
LPS-100-5	5V, 0~20A	±3%	100mV	77%
LPS-100-7.5	7.5V, 0~13.3A	±2%	100mV	77%
LPS-100-12	12V, 0~8.4A	±2%	100mV	79%
LPS-100-13.5	13.5V, 0~7.5A	±2%	100mV	79%
LPS-100-15	15V, 0~6.7A	±2%	100mV	80%

LPS-100-24	24V, 0~4.2A	±1%	150mV	80%
LPS-100-27	27V, 0~3.8A	±1%	150mV	81%
LPS-100-48	48V, 0~2.1A	±1%	200mV	81%

100W (with PFC Function) LPP-100

Model No.	Output	Tol.	R&N	Effi.
LPP-100-3.3	3.3V, 0~20A	±2%	100mV	69%
LPP-100-5	5V, 0~20A	±2%	100mV	75%
LPP-100-7.5	7.5V, 0~13.5A	±2%	100mV	76%
LPP-100-12	12V, 0~8.5A	±2%	100mV	79%
LPP-100-13.5	13.5V, 0~7.5A	±2%	100mV	79%
LPP-100-15	15V, 0~6.7A	±2%	100mV	80%
LPP-100-24	24V, 0~4.2A	±1%	150mV	83%
LPP-100-27	27V, 0~3.8A	±1%	150mV	83%
LPP-100-48	48V, 0~2.1A	±1%	250mV	83%

150W (with PFC Function) LPP-150

Model No.	Output	Tol.	R&N	Effi.
LPP-150-3.3	3.3V, 0~30A	±2%	150mV	66%
LPP-150-5	5V, 0~30A	±2%	100mV	72%
LPP-150-7.5	7.5V, 0~20A	±2%	100mV	76%
LPP-150-12	12V, 0~12.5A	±2%	100mV	79%
LPP-150-13.5	13.5V, 0~11.2A	±2%	100mV	80%
LPP-150-15	15V, 0~10A	±2%	100mV	80%
LPP-150-24	24V, 0~6.3A	±1%	150mV	83%
LPP-150-27	27V, 0~5.6A	±1%	150mV	83%
LPP-150-48	48V, 0~3.2A	±1%	250mV	83%

Charger

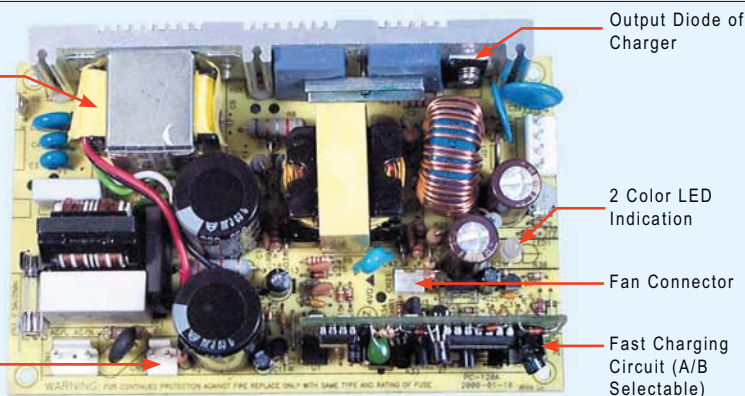
120W Single Output Power Supply or Battery Charger



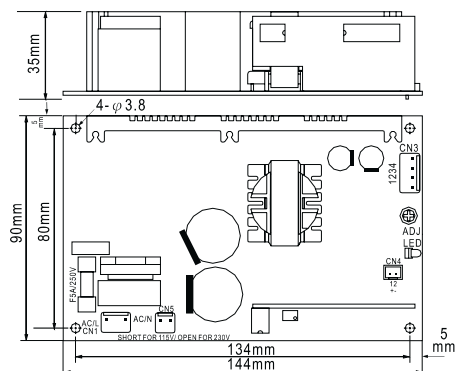
PCB Type: 144x 90x 35 mm
External Case Type: 180x 96x 49 mm

Power Factor Correction Choke

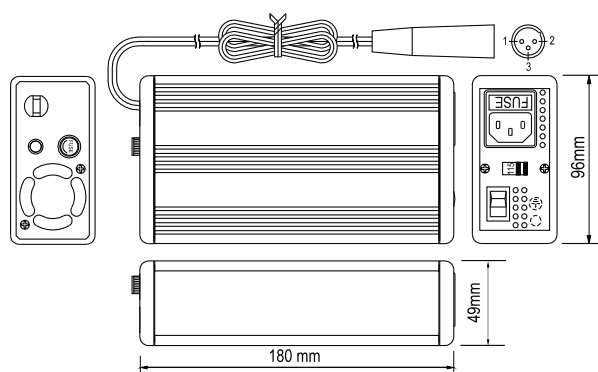
115 / 230 Selectable



P.C.B. Dimension



Case Drawing



Features

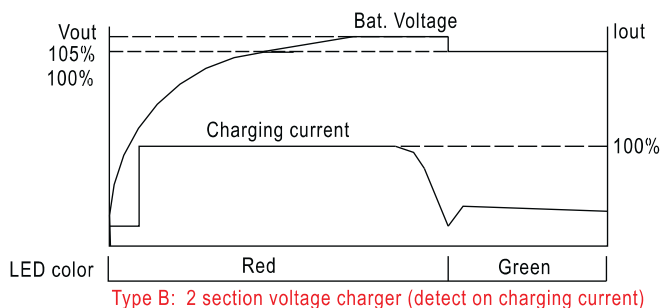
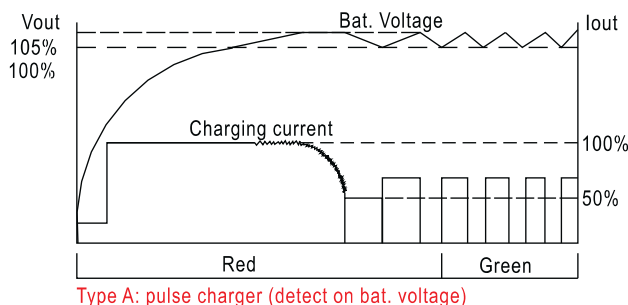
- AC input range selectable by switch
- Passive PFC, PF > 0.65(option)
- Protection for deeply discharged battery
- Protections: Short circuit / Overload / Over voltage / Over temp.
- Charger for lead-acid batteries
- Built-in ON/OFF power switch
- 3 poles AC inlet with fuse holder
- Charging type can be selected (option)
- 2 color LED loading indicator
- EN60335 approved
- Low cost, high reliability
- Open frame models available (without safety approval)
- 2 years warranty

General Specification

AC input voltage range 88~132VAC/ 176~264VAC selectable by switch
 AC inrush current (max.) Cold start, 25A at 115VAC, 50A at 230VAC
 Overload protection 90%~110% constant current limiting ,auto-recovery (PS-120: 105~150% hiccup mode, auto recovery)
 Over voltage protection 108%~127% rated output voltage
 Setup, rise, hold up time 1000ms, 50ms, 16ms at full load and 230VAC
 Withstand voltage I/P-O/P: 3kVAC, I/P-FG: 1.5kVAC, O/P-FG: 0.5kVAC, 1 minute
 Working temperature -10°C~45°C, derating curve may vary for different models (PS-120: -10~60°C)
 Safety standards UL60950-1, TUV EN60950-1, EN60335, EN60335-1, EN60335-2-29(except for 55.2V) approved
 EMC standards EN55022 class B, EN61000-4-2,3,4,5,6,8,11, EN61000-3-2,3, ENV50204
 DC output cable 6 ft. of SPT-2, 18AWGx2C
 Standard output connector ... MIC 3P, male type(standard type)
 Packing 1.1kg ; 16pcs / 17.9kg / 1.47CUFT (without PFC)
 1.24kg ; 16pcs / 20.1kg / 1.47CUFT (with PFC)

Model No.	Output	Tol.	R&N	Effi.
P□-120□-13□	13.8V, 0~7.2A	±3~±8.5%	150mV	73%
P□-120□-27□	27.6V, 0~4.3A	±1~±8.0%	200mV	79%
P□-120□-54□	55.2V, 0~2.2A	±1~±7.5%	250mV	79%

Charging Curve



Order Information

P A - 120 P - 13 C

S: Power supply
 A: Pulse charge
 B: 2 section voltage charge
 P: With PFC
 N: None PFC

P : Open P.C.B.
 C : With case

13: 13.8V
 27: 27.6V
 54: 55.2V

Charger

108~300W Power Supply or Battery Charger



108W Desktop Power Supply or Charger



CASE: 909 150x 140x 75 mm

- AC input range selectable by switch
- Protections: Short circuit / Overload / Over voltage / Over temp.
- 3 color LED loading indicator
- Battery under / over voltage and polarity protection (ESC only)
- Cooling by free air convection
- Fixed switching frequency at 25kHz
- 2 years warranty

AC input voltage range 88~132VAC / 176~264VAC selectable by switch
 AC inrush current Cold start, 40A at 230VAC
 DC adjustment range 13.5V: 12~15V, 27V: 24~30V, 54V: 48~56V
 Overload protection 105%~135% fold back current limiting, auto-recovery
 Over voltage protection 115%~135% rated output voltage
 Setup, rise, hold up time ... 200ms, 100ms, 36ms at full load and 230VAC
 Withstand voltage I/P-O/P: 3kVAC, I/P-FG:1.5kVAC, 1minute
 Working temperature 0~35°C@100%, -10°C@80%, 60°C@60% load
 Safety standards CSA 61010-1 approved
 EMC standards EN55022 class B, EN61000-3-2,3, EN61000-4-2,3,4, ENV50204
 Packing 1.38kg ; 8pcs / 12.0kg / 1.1CUFT

Model No.	Output	Tol.	R&N	Effi.
ESC-120-13.5	13.5V, 0~8A	±2%	120mV	81%
ESC-120-27	27V, 0~4A	±1%	150mV	83%
ESC-120-54	54V, 0~2A	±1%	400mV	84%
ESP-120-13.5	13.5V, 0~8A	±2%	120mV	81%
ESP-120-27	27V, 0~4A	±1%	150mV	83%
ESP-120-54	54V, 0~2A	±1%	400mV	84%

216W Desktop Power Supply or Charger



CASE: 909 150x 140x 75 mm

- AC input range selectable by switch
- Protections: Short circuit / Overload / Over voltage / Over temp.
- 3 color LED loading indicator
- Battery under / over voltage and polarity protection (ESC only)
- Built-in DC fan with fan ON/OFF auto control at 50°C
- Fixed switching frequency at 25kHz
- 2 years warranty

AC input voltage range 88~132VAC / 176~264VAC selectable by switch
 AC inrush current Cold start, 40A at 230VAC
 DC adjustment range 13.5V: 12~15V, 27V: 24~30V, 54V: 48~56V
 Overload protection 105%~135% fold back current limiting, auto-recovery
 Over voltage protection 115%~135% rated output voltage
 Setup, rise, hold up time ... 200ms, 100ms, 30ms at full load and 230VAC
 Withstand voltage I/P-O/P: 3kVAC, I/P-FG:1.5kVAC, 1minute
 Working temperature 0~40°C@100%, -10°C@80%, 60°C@60% load
 Safety standards CSA 61010-1 approved
 EMC standards EN55022 class B, EN61000-3-2,3, EN61000-4-2,3,4, ENV50204
 Packing 1.5kg ; 8pcs / 13.0kg / 1.1CUFT

Model No.	Output	Tol.	R&N	Effi.
ESC-240-13.5	13.5V, 0~16A	±2%	120mV	81%
ESC-240-27	27V, 0~8A	±1%	150mV	84%
ESC-240-54	54V, 0~4A	±1%	400mV	85%
ESP-240-13.5	13.5V, 0~16A	±2%	120mV	81%
ESP-240-27	27V, 0~8A	±1%	150mV	84%
ESP-240-54	54V, 0~4A	±1%	400mV	85%

230W Single Output Battery Charger



CASE: 909 190x 96x 49 mm

- 3 stage charging
- Universal AC input / Full range
- Built-in active PFC function, PF>0.95
- Protections: Short circuit / Over voltage / Over temperature / Reverse polarity
- 2 color LED loading indicator
- Built-in remote ON-OFF control
- Fan ON/OFF control
- Low cost, high reliability
- 2 years warranty

AC input voltage range 90~264VAC; 127~370VDC
 AC inrush current (max.) .. Cold start, 50A at 230VAC
 Over voltage protection 102%~125% shut off, re-power on to recover
 Withstand voltage I/P-O/P: 3kVAC, I/P-FG: 1.5kVAC, O/P-FG:0.5kVAC
 Working temperature -20°C~+50°C (refer to output derating curve)
 Safety standards UL1012(PB-230xx-AD1 only), EN60950-1 approved
 EMC standards EN55022 class B, EN61000-4-2,3,4,5,6,8,11, EN61000-3-2,3, ENV50204
 Packing 1.16Kg ; 12pcs / 14.9Kg / 1.17CUFT

Model No.	Output	Effi.
PB-230-12□	14.4V, 0~16A	82.0%
PB-230-24□	28.8V, 0~8A	85.5%
PB-230-48□	57.6V, 0~4A	86.0%

□ = Blank, AD1; Blank= 4 pin power din, AD1= Anderson connector

300W Single Output Battery Charger



CASE: 801B 253x 135x 48.5 mm

- Optimal 3 stage charging characteristic
- AC input range selectable by switch
- Passive PFC compliance to EN61000-3-2 class A (option)
- Protections: Reverse polarity / Short circuit / Over voltage / Over temperature
- Charger for lead-acid batteries
- Built-in ON/OFF power switch
- 3 poles AC inlet (IEC 320-C14)
- 2 color LED loading indicator
- Built-in remote ON/OFF control
- Cooling by free air convection
- 3 years warranty

AC input voltage range 90~132VAC / 180~264VAC selectable by switch
 AC inrush current (max.) .. Cold start, 60A at 230VAC
 Over voltage protection 108%~125% rated output voltage
 Withstand voltage I/P-O/P: 3kVAC, I/P-FG: 1.5kVAC, 1 minute
 Working temperature -10°C~+50°C (refer to output derating curve)
 Safety standards IEC60335-2-29 CB approval by TUV (except for 48V), UL60950-1 approved
 EMC standards EN55022 class B, EN61000-4-2,3,4,5,6,8,11, EN61000-3-2,3 (P type), ENV50204
 Packing 1.45kg ; 6pcs / 9.7kg / 0.95CUFT

Model No.	Output (20 min.) / (Continuous at 25°C)	Effi.
PB-300□-12	14.4V, 20.85A / 12.5A	85%
PB-300□-24	28.8V, 10.50A / 6.25A	86%
PB-300□-48	57.6V, 5.3A / 3.20A	88%

□ = P: with PFC; N: non PFC

Charger

360~1000W Battery Charger



360W Single Output Battery Charger



CASE: 801A 253x 135x 48.5 mm

- Optimal 3 stage charging characteristic
- AC input range selectable by switch
- Passive PFC compliance to EN61000-3-2 class A (option)
- Protections: Reverse polarity / Short circuit / Over voltage / Over temperature
- Charger for lead-acid batteries
- Built-in ON/OFF power switch
- 3 poles AC inlet (IEC 320-C14)
- 2 color LED loading indicator
- Built-in remote ON/OFF control
- Cooling by built-in DC fan
- 3 years warranty

AC input voltage range 90~132VAC / 180~264VAC selectable by switch

AC inrush current (max.) .. Cold start, 60A at 230VAC

Over voltage protection 108%~125% rated output voltage

Withstand voltage I/P-O/P: 3kVAC, I/P-FG: 1.5kVAC, 1 minute

Working temperature -20°C~+60°C (refer to output derating curve)

Safety standards IEC60335-2-29 CB approval by TUV (except for 48V), UL60950-1 approved

EMC standards EN55022 class B, EN61000-4-2,3,4,5,6,8,11, EN61000-3-2,3 (P type), ENV50204

Packing 1.5kg ; 6pcs / 10kg / 0.95CUFT

Model No.	Output	Effi.
PB-360□-12	14.4V, 24.3A	85%
PB-360□-24	28.8V, 12.5A	86%
PB-360□-48	57.6V, 6.25A	87%

□ = P: with PFC; N: non PFC

1000W Single Output Battery Charger



CASE: 804B 300x 184x 70 mm

- 2/3/8 stage smart charger for lead-acid batteries
- Microprocessor controlled power management
- Universal AC input / Full range
- Built-in active PFC function PF>0.95
- Protections: Reverse polarity / Short circuit / Over voltage / Over temperature
- Built-in temp. compensation function
- Can be connected to 2 battery banks
- Status signal sent by relay contacts
- 3 color LED loading indicator
- Built-in remote ON-OFF control
- Fan speed control
- Charging curve can be modified for different battery applications (optional)
- 3 years warranty

AC input voltage range 90~264VAC / 127~370VDC

AC inrush current (max.) Cold start, 50A at 230VAC

Over voltage protection 110%~125% shut off, re-power on to recover

Withstand voltage I/P-O/P: 3kVAC, I/P-FG: 1.5kVAC, 1 minute

Working temperature -20°C~+60°C (refer to output derating curve)

Safety standards UL60950-1, TUV EN60950-1 approved

EMC standards EN55022 class B conducted, ENV50204, EN61000-4-2,3,4,5,6,8,11, EN61000-3-2,3

Connection IEC inlet for input; copper pillars for output

Packing 3.5kg ; 4pcs / 15kg / 1.83CUFT

Model No.	Output	Effi.
PB-1000-12	14.4V, 60.0A	85%
PB-1000-24	28.8V, 34.7A	88%
PB-1000-48	57.6V, 17.4A	89%

600W Single Output Battery Charger



CASE: 805C 230x 158x 67 mm

- 2/3/8 stage smart charger for lead-acid batteries
- Microprocessor controlled power management
- Universal AC input / Full range
- Built-in active PFC function, PF>0.95
- Protections: Reverse polarity / Short circuit / Over voltage / Over temperature
- Built-in temp. compensation function
- Status signal sent by relay contacts
- 3 color LED loading indicator
- Built-in remote ON-OFF control
- Fan speed control (depend on charging current)
- Charging curve can be modified for different battery applications (optional)
- 3 years warranty

AC input voltage range 90~264VAC; 127~370VDC

AC inrush current (max.) .. Cold start, 50A at 230VAC

Over voltage protection 112%~125% shut off, re-power on to recover

Withstand voltage I/P-O/P: 3kVAC, I/P-FG: 1.5kVAC, O/P-FG: 0.5kVAC

Working temperature -20°C~+60°C (refer to output derating curve)

Safety standards TUV EN60335-1, EN60335-2-29(except for 48V), EN60950-1(48V only), UL1012 approved

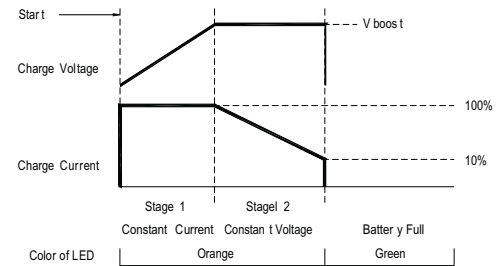
EMC standards EN55022 class B conducted, EN61000-3-2,3, EN61000-4-2,3,4,5,6,8,11, ENV50204

Connection IEC inlet for input; copper pillars for output

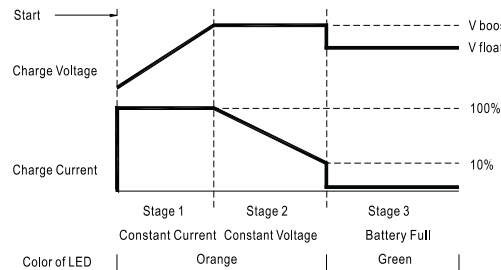
Model No.	Output	Effi.
PB-600-12	14.4V, 0~40.0A	86%
PB-600-24	28.8V, 0~21.0A	87%
PB-600-48	57.6V, 0~10.5A	89%

Built-in Charging Curves for PB-600 and PB-1000

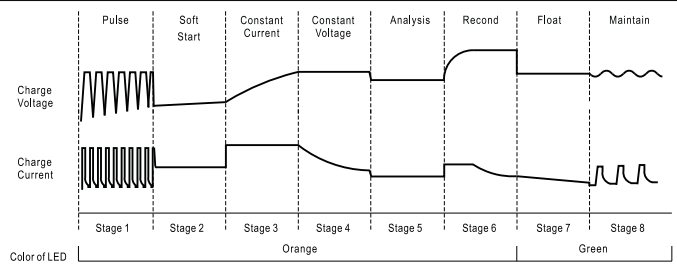
2 Stage Charging Curve



3 Stage Charging Curve



8 Stage Charging Curve



Charger

30~218W Portable Battery Charger



30W Power Adaptor with Charging Function

- Universal AC input/ Full range
- Class II power (without earth pin)
- **No load power consumption < 1W**
- Constant current and voltage (CC, CV mode)
- High reliability
- Suitable for high surge current equipment
- Protections: Short circuit / Overload / Over voltage / Over temp.
- 2 color LED indicator for charging status
- Fully enclosed plastic case
- 2 years warranty



AC input voltage range 90~264VAC; 127~370VDC
 Overload protection 90%~110% constant current mode and over 300% pulsing mode
 Over voltage protection 110%~135% rated output voltage, clamp by Zener diode
 Withstand voltage I/P-O/P: 4242VDC, 1minute
 Working temperature 0~+40°C @ 100% load, 50°C @ 70% load
 Safety standards UL60950-1, CSA 22.2, TUV EN60950-1
 EMC standards EN55014-1, EN61000-3-2,3, EN61000-4-2,3,4,5,6,11
 Length of output cable 180cm of UL1185, 18AWG
 Standard DC plug P1J: 2.1øx5.5øx11mm / C+, tuning fork type

Model No.	Output	R&N	Effi.
GC30□-0P1J	4.2V, 0~4.00A	50mV	55%
GC30□-1P1J	5.6V, 0~3.99A	50mV	70%
GC30□-11P1J	7.2V, 0~3.00A	80mV	74%
GC30□-2P1J	8.4V, 0~3.00A	80mV	76%
GC30□-4P1J	14.3V, 0~2.09A	100mV	78%
GC30□-5P1J	16.8V, 0~1.60A	100mV	78%
GC30□-6P1J	28.6V, 0~1.04A	150mV	80%

□ = B, U, E; B: IEC320-C8, U: US type plug, E: European type plug

120W Power Adaptor with Charging Function



- Universal AC input/ Full range
- **No load power consumption < 0.5W**
- Built-in active PFC function, PF>0.95
- 3 pole AC inlet IEC320-C14
- Class I power (with earth pin)
- Protections: Short circuit / Overload / Over voltage / Over temp.
- Fully enclosed plastic case
- 2 color LED indicator for charging status
- 2 years warranty

AC input voltage range 85~264VAC; 120~370VDC
 Overload protection 105%~135% constant current, auto-recovery
 Over voltage protection 105%~135% rated output voltage, re-power on to recover
 Withstand voltage I/P-O/P: 3kVAC
 Working temperature -30~+70°C (refer to derating curve)
 Safety standards UL1012(GC120Axx-AD1 only), EN60950-1 approved
 EMC standards EN55022 class B, FCC part 15 class B, EN61000-3-2,3, EN61000-4-2,3,4,5,6,8,11
 Length of output cable 120cm of UL2464, 16AWGx 4C
 Standard DC plug Power DIN 4P with lock type (R7B)

Model No.	Output	Effi.
GC120A12-□	13.6V, 7.5A	86.5%
GC120A24-□	27.2V, 4.42A	90.0%
GC120A48-□	54.4V, 2.21A	91.0%

□ = R7B, AD1 ; R7B= 4 pin power din, AD1= Anderson connector

160W Power Adaptor with Charging Function



- Universal AC input/ Full range
- **No load power consumption < 1W**
- Built-in active PFC function, PF>0.95
- 3 pole AC inlet IEC320-C14
- Class I power (with earth pin)
- Protections: Short circuit / Overload / Over voltage / Over temp.
- Fully enclosed plastic case
- 2 color LED indicator for charging status
- 2 years warranty

AC input voltage range 85~264VAC; 120~370VDC
 Overload protection 90%~110% constant current, auto-recovery
 Over voltage protection 105%~135% rated output voltage, re-power on to recover
 Withstand voltage I/P-O/P: 3kVAC
 Working temperature -30~+70°C (refer to derating curve)
 Safety standards UL1012(GC160Axx-AD1 only), EN60950-1 approved
 EMC standards EN55022 class B, FCC part 15 class B, EN61000-3-2,3, EN61000-4-2,3,4,5,6,8,11
 Length of output cable 120cm of UL2464, 18AWGx 4C
 Standard DC plug Power DIN 4P with lock type (R7B)

Model No.	Output	Effi.
GC160A12-□	13.6V, 10.0A	89.0%
GC160A24-□	27.2V, 5.89A	92.5%
GC160A48-□	54.4V, 2.95A	94.0%

□ = R7B, AD1 ; R7B= 4 pin power din, AD1= Anderson connector

218W Power Adaptor with Charging Function



- Universal AC input/ Full range
- **No load power consumption < 1W**
- Built-in active PFC function, PF>0.91
- Cooling by free air convection
- 3 pole AC inlet IEC320-C14
- Class I power (with earth pin)
- Protections: Short circuit / Overload / Over voltage / Over temp.
- Fully enclosed plastic case
- 2 color LED indicator for charging status
- 2 years warranty

AC input voltage range 90~264VAC; 127~370VDC
 Overload protection 90%~110% constant current, auto-recovery after fault condition is removed
 Over voltage protection 105%~135% rated output voltage, re-power on to recover
 Withstand voltage I/P-O/P: 3kVAC
 Working temperature -10~+60°C (refer to derating curve)
 Safety standards TUV EN60950-1, UL1012 (GC220Axx-AD1 only) approved
 EMC standards EN55022 class B, FCC part 15 class B, EN61000-3-2,3, EN61000-4-2,3,4,5,6,8,11
 Length of output cable 100cm of UL2464, 16AWGx 4C
 Standard DC plug Power DIN 4P with lock type (R7B)

Model No.	Output	Effi.
GC220A12-□	13.6V, 13.5A	89.0%
GC220A24-□	27.2V, 8A	92.5%
GC220A48-□	54.4V, 4A	93.0%

□ = R7B, AD1 ; R7B= 4 pin power din, AD1= Anderson connector

Green Adaptor

6~15W Single Output



6W Green Power Adaptor

- Universal AC input/ Full range
- No load power consumption < 0.3W
- ErP step 2 compliant
- Meet EISA 2007 (Energy Independence and Security Act)
- 2 pole US / European type plug
- Class II power (without earth pin)
- Full output 5~48V safety approved
- Protections: Short circuit / Overload / Over voltage
- Pass LPS
- Fully enclosed plastic case
- 2 years warranty



AC input voltage range 90~264VAC, 127~370VDC
 AC inrush current(max.) ... Cold start, <30A peak at 115VAC or <50A peak at 230VAC
 Overload protection Hiccup mode, auto-recovery
 Over voltage protection ... Clamp by zener diode > 120%
 Withstand voltage I/P-O/P: 4242VDC, 1minute
 Working temperature 0~40°C @ 100% load, 50°C @ 70% load
 Safety standards UL60950-1, CSA 22.2, TUV EN60950-1
 EMC standards EN55022-B, EN61000-3-2,3, EN61000-4-2,3,4,5,6,11
 Length of output cable 180cm of UL1185, 20AWG

Model No.	Output	Tol.	R&N	Effi.
GS06□-1P1J	5V, 0~1.00A	±5%	50mV	68%
GS06□-11P1J	7.5V, 0~0.80A	±5%	80mV	74%
GS06□-2P1J	9V, 0~0.66A	±5%	80mV	75%
GS06□-3P1J	12V, 0~0.50A	±3%	100mV	77%
GS06□-4P1J	15V, 0~0.40A	±3%	120mV	78%
GS06□-5P1J	18V, 0~0.33A	±3%	150mV	78%
GS06□-6P1J	24V, 0~0.25A	±2%	180mV	82%
GS06□-8P1J	48V, 0~0.125A	±2%	200mV	84%

□ = U: American 2P ; E: European 2P

12W Green Power Adaptor

- Universal AC input/ Full range
- No load power consumption < 0.3W
- ErP step 2 compliant
- Meet EISA 2007 (Energy Independence and Safety Act)
- 2 pole US / European type plug
- Class II power (without earth pin)
- Full output 5~24V safety approved
- Protections: Short circuit / Overload / Over voltage / Over temp.
- Pass LPS
- Fully enclosed plastic case
- 2 years warranty



AC input voltage range 90~264VAC, 127~370VDC
 AC inrush current(max.) ... Cold start, <25A peak at 115VAC or 45A peak at 230VAC
 Overload protection Hiccup mode, auto-recovery
 Over voltage protection ... 115%~135% clamp by zener diode
 Withstand voltage I/P-O/P: 3KVAC, 1minute
 Working temperature 0~40°C @ 100% load, 50°C @ 70% load
 Safety standards UL60950-1, CSA 22.2, TUV EN60950-1, CNS14336
 EMC standards EN55022-B, EN61204-3, EN61000-3-2,3, EN61000-4-2,3,4,5,6,8,11, FCC part15 class B, CNS13438

Model No.	Output	Tol.	R&N	Effi.
GS12□05-P1I	5V, 0~2.00A	±5%	75mV	74%
GS12□07-P1I	7.5V, 0~1.60A	±4%	90mV	78%
GS12□09-P1I	9V, 0~1.33A	±4%	90mV	78%
GS12□12-P1I	12V, 0~1.00A	±3%	120mV	78%
GS12□15-P1I	15V, 0~0.80A	±3%	150mV	79%
GS12□18-P1I	18V, 0~0.67A	±3%	180mV	80%
GS12□24-P1I	24V, 0~0.50A	±3%	200mV	80%

□ = U: American 2P ; E: European 2P

15W Green Power Adaptor

- Universal AC input/ Full range
- No load power consumption < 0.3W
- ErP step 2 compliant
- Meet EISA 2007 (Energy Independence and Security Act)
- Full output 3~48V safety approved
- Protections: Short circuit / Overload / Over voltage
- Pass LPS
- Fully enclosed plastic case
- 2 years warranty



AC input voltage range 90~264VAC
 AC inrush current(max.) Cold start, <30A peak at 115VAC or <50A peak at 230VAC
 Overload protection Hiccup mode, auto-recovery
 Over voltage protection Clamp by zener diode > 120%
 Withstand voltage I/P-O/P: 3kVAC, I/P-FG: 1.5kVAC, 1 minute
 Working temperature 0~40°C @ 100% load, 50°C @ 70% load
 Safety standards UL60950-1, CSA 22.2, TUV EN60950-1 approved
 EMC standards EN55022-B, EN61000-3-2,3, EN61000-4-2,3,4,5,6,11
 Length of output cable 180cm of UL1185, 18AWG (150cm length for 3.3V output)
 Standard DC plug P1J: 2.1øx5.5øx11mm / C+, tuning fork type (refer to page 68 for DC plug list)

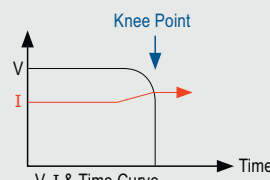
Order No.	Output	Tol.	R&N	Effi.
GS15□-1P1J	5.0V, 0~2.40A	±5%	50mV	75%
GS15□-11P1J	7.5V, 0~1.60A	±5%	80mV	78%
GS15□-2P1J	9.0V, 0~1.66A	±5%	80mV	80%
GS15□-3P1J	12V, 0~1.25A	±3%	80mV	80%
GS15□-4P1J	15V, 0~1.00A	±3%	100mV	80%
GS15□-5P1J	18V, 0~0.83A	±3%	120mV	81%
GS15□-6P1J	24V, 0~0.62A	±2%	150mV	83%
GS15□-8P1J	48V, 0~0.31A	±2%	240mV	85%

□ = A: IEC320-C14 ; B: IEC320-C8
 E: European 2P ; U: American 2P

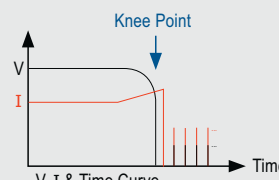
► Special Models Suitable for High Surge Current

GS06 and GS15 also have models with "constant current limiting" instead of "hiccup type" as the overload protection which are suitable for peak load usage. Please refer to the overload curves that specify the output voltage / output current characteristics of these two overload protection types. If you are interested in the models with "constant current limiting" function, please contact with your sales representative for details!

Constant Current Limiting



Hiccup mode current limiting



Green Adaptor 12~24W Single Output and Interchangeable Type



■ Features

- Interchangeable AC plugs (plug kit sold separately)
- Universal AC input / Full range
- No load power consumption <0.3W
- ErP step 2 compliant
- Meet EISA 2007 (Energy Independence and Security Act)
- Class II power (without earth pin)
- Protections: Short circuit / Over voltage / Overload
- Fully enclosed plastic case
- LED indicator for power on
- Pass LPS
- Approvals:
UL / CUL / TUV / CCC / CB / FCC / CE / C-Tick for GE12
UL / CUL / TUV / CB / FCC / CE / C-Tick for GE18/24
- 2 years warranty

■ General Specification (Please refer to www.meanwell.com for detail spec.)



AC input voltage range	90~264VAC / 0.4A for GE12; 90~264VAC / 0.7A for GE18/24
AC inrush current (max.)	Cold start, <40A peak at 100VAC; Cold start, <80A peak at 230VAC
Overload protection	Hiccup mode, auto-recovery
Over voltage protection	115%~135% rated output voltage
Setup, rise, hold up time	4000ms, 100ms, 30ms at 230VAC input
Withstand voltage	I/P-O/P:4242VDC, 1 minute
Working temperature	0~30°C @ 100% load, 40°C @ 75% load, 50°C @ 50% load
Safety standards	UL60950-1, CSA22.2, EN60950-1 approved
EMC standards	EN55022 class B, EN61000-3-2,3, EN61000-4-2,3,4,5,6,8,11, FCC part15 class B
Length of output cable	150cm of UL2468, 20AWG for GE12; 150cm of UL2468, 18AWG for GE18/24
Standard DC plug	P1J: 2.1øx5.5øx11mm / C+, tuning fork type (refer to page 68 for DC plug list)

■ Wall-mounted (Interchangeable Type)—12W

Order No. (Main body)	Output	Tol.	R&N	Effi.
GE12I05-P1J	5V, 0~2.00A	±5%	50mV	74%
GE12I07-P1J	7.5V, 0~1.33A	±5%	75mV	77%
GE12I09-P1J	9V, 0~1.33A	±5%	100mV	79%
GE12I12-P1J	12V, 0~1.00A	±3%	120mV	81%
GE12I15-P1J	15V, 0~0.80A	±3%	150mV	82%
GE12I18-P1J	18V, 0~0.83A	±3%	180mV	83%
GE12I24-P1J	24V, 0~0.625A	±3%	240mV	83%

■ Wall-mounted (Interchangeable Type)—24W

Order No. (Main body)	Output	Tol.	R&N	Effi.
GE24I05-P1J	5V, 0~3.00A	±5%	50mV	76.5%
GE24I07-P1J	7.5V, 0~2.00A	±5%	75mV	79.5%
GE24I09-P1J	9V, 0~2.22A	±5%	100mV	81.5%
GE24I12-P1J	12V, 0~2.00A	±3%	120mV	82.5%
GE24I15-P1J	15V, 0~1.60A	±3%	150mV	84.0%
GE24I18-P1J	18V, 0~1.33A	±3%	180mV	84.0%
GE24I24-P1J	24V, 0~1.00A	±3%	240mV	85.0%
GE24I48-P1J	48V, 0~0.50A	±3%	300mV	85.0%

■ Wall-mounted (Interchangeable Type)—18W

Order No. (Main body)	Output	Tol.	R&N	Effi.
GE18I05-P1J	5V, 0~2.40A	±5%	50mV	75%
GE18I07-P1J	7.5V, 0~1.73A	±5%	75mV	79%
GE18I09-P1J	9V, 0~2.00A	±5%	100mV	81%
GE18I12-P1J	12V, 0~1.50A	±3%	120mV	82%
GE18I15-P1J	15V, 0~1.20A	±3%	150mV	84%
GE18I18-P1J	18V, 0~1.00A	±3%	180mV	84%
GE18I24-P1J	24V, 0~0.75A	±3%	240mV	85%
GE18I48-P1J	48V, 0~0.375A	±3%	300mV	85%

► Interchangeable AC Inlet Plug

AC Plug Type		
	Australian Type AC Plug Order No. AC Plug-AU	U.K. Type AC Plug Order No. AC Plug-UK
AC Plug Type		
	European Type AC Plug Order No. AC Plug-EU	U.S. Type AC Plug Order No. AC Plug-US

Note: Main body unit and AC plug should be ordered separately; The main body needs to be used along with any of the AC plug.

Green Adaptor

18~25W Single Output



GS18/25A

93x 54x 36 mm

GS18/25B

79x 54x 33 mm

GS18/25U

79x 54x 33 mm

GS18/25E

79x 54x 33 mm

Features

- Universal AC input / Full range
- No load power consumption < 0.3W
- ErP step 2 compliant
- Meet EISA 2007 (Energy Independence and Security Act)
- 2 pole USA / EURO plug or IEC320-C14/C8
- Class I power (with earth pin) only for IEC320-C14
- Full output 5~48V safety approved
- Protections: Short circuit / Overload / Over voltage
- Fully enclosed plastic case
- LED indicator for power on
- Pass LPS
- Approvals:
 - UL / CUL / TUV / BSMI / CB / FCC / CE for desktop type
 - TUV / CB / CE for European type plug
 - UL / CUL / BSMI / CB / FCC for US type plug
- 2 years warranty

General Specification (Please refer to www.meanwell.com for detail spec.)



AC input voltage range	90~264VAC / 0.5A for 18W; 90~264VAC / 0.7A for 25W
AC inrush current (max.)	Cold start, <25A peak at 115VAC; Cold start, <50A peak at 230VAC
Overload protection	Hiccup mode, auto-recovery
Over voltage protection	105%~135% rated output voltage
Setup, rise, hold up time	500ms, 20ms, 50ms@ 230VAC input
Withstand voltage	I/P - O/P: 4242VDC, 1 minute
Working temperature	0~40°C @ 100% load, 50°C @ 70% load
Safety standards	UL60950-1, CSA 22.2, EN60950-1, BSMI CNS14336 approved
EMC standards	EN55022 class B, EN61000-3-2,3, EN61000-4-2,3,4,5,6,8,11, FCC part 15 class B
Length of output cable	180cm of UL1185, 18AWG or 120cm, 16AWG for 5V output
Standard DC plug	P1J: 2.1øx5.5øx11mm / C+, tuning fork type (refer to page 68 for DC plug list)

Desktop—18W

□=A/B

Order No.	Output	Tol.	R&N	Effi.
GS18□05-P1J	5V, 0~3.00A	±5%	50mV	76.5%
GS18□07-P1J	7.5V, 0~2.00A	±5%	80mV	80.0%
GS18□09-P1J	9V, 0~2.00A	±5%	80mV	80.5%
GS18□12-P1J	12V, 0~1.50A	±3%	80mV	81.0%
GS18□15-P1J	15V, 0~1.20A	±3%	100mV	82.0%
GS18□18-P1J	18V, 0~1.00A	±3%	150mV	83.0%
GS18□24-P1J	24V, 0~0.75A	±2%	180mV	85.0%
GS18□28-P1J	28V, 0~0.64A	±2%	240mV	85.0%
GS18□48-P1J	48V, 0~0.375A	±2%	240mV	85.0%

A: IEC 320-C14 / Class I, B: IEC 320-C8 / Class II

Desktop—25W

□=A/B

Order No.	Output	Tol.	R&N	Effi.
GS25□05-P1J	5V, 0~4.00A	±5%	50mV	78.0%
GS25□07-P1J	7.5V, 0~2.93A	±5%	80mV	81.0%
GS25□09-P1J	9V, 0~2.77A	±5%	80mV	82.0%
GS25□12-P1J	12V, 0~2.08A	±3%	80mV	82.5%
GS25□15-P1J	15V, 0~1.66A	±3%	100mV	82.5%
GS25□18-P1J	18V, 0~1.38A	±3%	150mV	82.5%
GS25□24-P1J	24V, 0~1.04A	±2%	180mV	84.0%
GS25□28-P1J	28V, 0~0.89A	±2%	240mV	85.0%
GS25□48-P1J	48V, 0~0.52A	±2%	240mV	86.0%

A: IEC 320-C14 / Class I, B: IEC 320-C8 / Class II

Wall-mounted—18W

□=U/E

Order No.	Output	Tol.	R&N	Effi.
GS18□05-P1J	5V, 0~3.00A	±5%	50mV	76.5%
GS18□07-P1J	7.5V, 0~2.00A	±5%	80mV	80.0%
GS18□09-P1J	9V, 0~2.00A	±5%	80mV	80.5%
GS18□12-P1J	12V, 0~1.50A	±3%	80mV	81.0%
GS18□15-P1J	15V, 0~1.20A	±3%	100mV	82.0%
GS18□18-P1J	18V, 0~1.00A	±3%	150mV	83.0%
GS18□24-P1J	24V, 0~0.75A	±2%	180mV	85.0%
GS18□28-P1J	28V, 0~0.64A	±2%	240mV	85.0%
GS18□48P1J	48V, 0~0.375A	±2%	240mV	85.0%

U: US type plug, E: European type plug

Wall-mounted—25W

□=U/E

Order No.	Output	Tol.	R&N	Effi.
GS25□05-P1J	5V, 0~4.00A	±5%	50mV	78.0%
GS25□07-P1J	7.5V, 0~2.93A	±5%	80mV	81.0%
GS25□09-P1J	9V, 0~2.77A	±5%	80mV	82.0%
GS25□12-P1J	12V, 0~2.08A	±3%	80mV	82.5%
GS25□15-P1J	15V, 0~1.66A	±3%	100mV	82.5%
GS25□18-P1J	18V, 0~1.38A	±3%	150mV	82.5%
GS25□24-P1J	24V, 0~1.04A	±2%	180mV	84.0%
GS25□28-P1J	28V, 0~0.89A	±2%	240mV	85.0%
GS25□48-P1J	48V, 0~0.52A	±2%	240mV	86.0%

U: US type plug, E: European type plug

Green Adaptor

40~120W Single Output



■ Features

- Universal AC input / Full range
- No load power consumption <0.3W for GS40/60; <0.5W for GS90/120
- ErP step 2 compliant
- Meet EISA 2007 (Energy Independence and Security Act) for full series
- Built-in active PFC function, PF >0.91 (GS90) & PF>0.95 (GS120)
- 3 pole AC inlet IEC320-C14
- Class I power (with earth pin)
- Protections: Short circuit / Over voltage / Overload / Over temperature (except for GS40)
- Fully enclosed plastic case
- LED indicator for power on
- Pass LPS (except for GS120)
- 2 years warranty

■ General Specification (Please refer to www.meanwell.com for detail spec.)



Order No.	GS40	GS60	GS90	GS120 NEW
AC input voltage range	90~264VAC / 1.0A	90~264VAC / 1.4A	90~264VAC / 2.0A	85~264VAC / 2.0A
AC inrush current (max.)	Cold start, <65A peak at 230VAC		Cold start, <90A peak at 230VAC	
Overload protection	Range	105%~150% rated output power	110%~150%	105%~160%
	Type	Hiccup mode, auto-recovery		
Over voltage protection	105%~135% rated output voltage			
Setup, rise, hold up time	600ms, 30ms, 50ms at 230VAC input		1000ms, 20ms, 20ms at 230VAC input	
Withstand voltage	I/P-O/P:3kVAC, I/P-FG: 1.5kVAC			I/P-FG: 3kVAC
Working temperature	0~+60°C	-10~+50°C	0~+50°C	
Safety standards	UL60950-1, EN60950-1, BSMI CNS14336, CCC GB4943 approved			
EMC standards	EN55022 class B, EN61000-3-2,3, EN61000-4-2,3,4,5,6,8,11, CNS13438, GB9254, FCC part15 class B			
Length of output cable	100cm of UL2464, 16AWG for 5~9V; 100cm of UL1185, 16AWG for 12~15V; 180cm of UL1185, 18AWG for 18~48V		100cm of UL1185, 14AWG for 12~15V; 120cm of UL1185, 16AWG for 19~48V	
Standard DC plug	P1J: (refer to page 68 for DC plug list)	P1M:		R7B:
	2.1øx5.5øx11mm / C+, tuning fork type	2.5øx5.5øx11mm / C+, tuning fork type		Power DIN 4P with lock type

■ Desktop (IEC 320-C14 / Class I)— 40W

Order No.	Output	Tol.	R&N	Effi.
GS40A05-P1J	5V, 0~5.00A	±5%	100mV	80.5%
GS40A07-P1J	7.5V, 0~5.34A	±5%	100mV	85.5%
GS40A09-P1J	9V, 0~4.45A	±5%	100mV	85.0%
GS40A12-P1J	12V, 0~3.34A	±3%	100mV	89.0%
GS40A15-P1J	15V, 0~2.67A	±3%	100mV	89.5%
GS40A18-P1J	18V, 0~2.22A	±3%	150mV	90.0%
GS40A24-P1J	24V, 0~1.67A	±2.5%	180mV	91.0%
GS40A48-P1J	48V, 0~0.84A	±2.5%	240mV	92.0%

■ Desktop (IEC 320-C14 / Class I)— 60W

Order No.	Output	Tol.	R&N	Effi.
GS60A05-P1J	5V, 0~6.00A	±5%	100mV	81.0%
GS60A07-P1J	7.5V, 0~6.00A	±5%	100mV	85.5%
GS60A09-P1J	9V, 0~6.00A	±5%	100mV	87.5%
GS60A12-P1J	12V, 0~5.00A	±3%	100mV	88.0%
GS60A15-P1J	15V, 0~4.00A	±3%	100mV	88.5%
GS60A18-P1J	18V, 0~3.33A	±3%	150mV	88.5%
GS60A24-P1J	24V, 0~2.50A	±3%	180mV	90.0%
GS60A48-P1J	48V, 0~1.25A	±2.5%	240mV	92.0%

■ Desktop (IEC 320-C14 / Class I)— 90W

Order No.	Output	Tol.	R&N	Effi.
GS90A12-P1M	12V, 0~6.67A	±5%	80mV	88.0%
GS90A15-P1M	15V, 0~6.00A	±5%	100mV	89.0%
GS90A19-P1M	19V, 0~4.74A	±4%	150mV	89.0%
GS90A24-P1M	24V, 0~3.75A	±3%	180mV	89.5%
GS90A48-P1M	48V, 0~1.87A	±2%	240mV	91.0%

■ Desktop (IEC 320-C14 / Class I)— 120W NEW

Order No.	Output	Tol.	R&N	Effi.
GS120A12-R7B	12V, 0~8.5A	±5%	80mV	87.5%
GS120A15-R7B	15V, 0~7.0A	±5%	120mV	89.0%
GS120A20-R7B	20V, 0~6.0A	±4%	150mV	89.0%
GS120A24-R7B	24V, 0~5.0A	±3%	180mV	90.0%
GS120A48-R7B	48V, 0~2.5A	±2%	240mV	91.0%

Green Adaptor

160~220W Single Output with PFC



160W Green Power Adaptor



- Universal AC input / Full range
- No load power consumption < 0.5W
- ErP step 2 compliant
- Meet EISA 2007(Energy Independence and Security Act)
- Built-in active PFC function, PF>0.95
- 3 pole AC inlet IEC320-C14
- Class I power (with earth pin)
- Protections: Short circuit / Overload
Over voltage / Over temp.
- Fully enclosed plastic case
- LED indicator for power on
- 2 years warranty

AC input voltage range 85~264VAC or 120~370VDC
 Overload protection 105%~135% rated output power, hiccup mode, auto-recovery
 Over voltage protection 105%~135% rated output voltage (typical)
 Hold up time 20ms at full load
 Withstand voltage I/P-O/P:3kVAC, 1 minute
 Working temperature -30~+70°C (refer to output load derating curve)
 Safety standards UL60950-1, TUV EN60950-1, BSMI CNS14336, CCC GB4943 approved
 EMC standards EN55022 class B, EN61000-3-2,3, EN61000-4-2,3,4,5,6,8,11, FCC part 15 class B, GB9254 classB, CNS13438 classB
 Length of output cable 120cm of UL2464, 18AWGx 4C
 Standard DC plug Power DIN 4P with lock type (R7B)

Order No.	Output	Tol.	R&N	Effi.
GS160A12-R7B	12V, 0~11.5A	±5%	80mV	89.0%
GS160A15-R7B	15V, 0~9.6A	±5%	100mV	90.0%
GS160A20-R7B	20V, 0~8.0A	±4%	150mV	92.0%
GS160A24-R7B	24V, 0~6.67A	±3%	180mV	92.5%
GS160A48-R7B	48V, 0~3.34A	±2%	240mV	94.0%

220W Green Power Adaptor




- Universal AC input / Full range
- No load power consumption < 0.5W
- ErP step 2 compliant
- Meet EISA 2007(Energy Independence and Security Act)
- Built-in active PFC function, PF>0.91
- 3 pole AC inlet IEC320-C14
- Class I power (with earth pin)
- Protections: Short circuit / Overload
Over voltage / Over temp.
- Fully enclosed plastic case
- LED indicator for power on
- 2 years warranty

AC input voltage range 90~264VAC or 127~370VDC
 Overload protection 105%~135% rated output power, hiccup mode, auto-recovery
 Over voltage protection 105%~135% rated output voltage (typical)
 Hold up time 20ms at full load
 Withstand voltage I/P-O/P:3kVAC, 1 minute
 Working temperature -10~+60°C (refer to output load derating curve)
 Safety standards UL60950-1, TUV EN60950-1, BSMI CNS14336, CCC GB4943 approved
 EMC standards EN55022 class B, EN61000-3-2,3, EN61000-4-2,3,4,5,6,8,11, FCC part 15 class B, GB9254 class B, CNS13438 class B
 Length of output cable 100cm of UL2464, 16AWGx 4C
 Standard DC plug Power DIN 4P with lock type (R7B)

Order No.	Output	Tol.	R&N	Effi.
GS220A12-R7B	12V, 0~15.0A	±5%	80mV	90.0%
GS220A15-R7B	15V, 0~13.4A	±5%	100mV	90.0%
GS220A20-R7B	20V, 0~11.0A	±4%	150mV	92.0%
GS220A24-R7B	24V, 0~9.20A	±3%	180mV	93.5%
GS220A48-R7B	48V, 0~4.60A	±2%	240mV	94.5%

Under Development

500W DC/AC Modified Sine Wave with MPPT Charger



- Modified sine wave output
- Built-in solar charger with MPPT function
- DC input: 50~150VDC
- AC output: 110VAC or 230VAC
- Use with 12V or 24V battery bank
- Protections:
AC output short / Over voltage / Over temperature / Reverse polarity / Bat. low alarm / Bat. shutdown
- Thermostatically controller cooling fan
- Built-in USB port (5V / 500mA)
- LED indicator for operation status
- 2 years warranty

Compliance List of ErP & EISA 2007

Regulation / Series	ErP		EISA 2007
	Step 1	Step 2	
GS06	•	•	•
GS12	•	•	•
GE12	•	•	•
GS15	•	•	•
GS18	•	•	•
GE18	•	•	•
GE24	•	•	•
GS25	•	•	•
GS40	•	•	•
GS60	•	•	•
GS90	•	•	•
GS120	•	•	•
GS160	•	•	•
GS220	•	•	•



Best products also need best service.

We have authorized distributors all over the world. They have sufficient stock for your prompt delivery. Also they can offer you technical support & RMA services. Please contact your local distributors for more product information. You can also contact us at info@meanwell.com for information of your local distributors.

Adaptor

25~50W Triple Output



25W AC-DC Triple Output

- Universal AC input / Full range
- Protections: Short circuit / Overload / Over voltage / Over temp.
- Fully enclosed plastic case
- Fixed switching frequency and regulation
- Topology: Top switch circuit
- LED indicator for power on
- 1 year warranty



AC input voltage range 90~264VAC / 0.8A
 AC inrush current(max.) Cold start, <60A peak at 230VAC
 Overload protection Hiccup mode, auto-recovery
 Over voltage protection 110~140% of +5V output
 Setup, rise, hold up time ... 200ms, 50ms, 16ms at full load
 Withstand voltage I/P-O/P:3kVAC, I/P-FG:1.5kVAC , 1 minute
 Working temperature 0~+40°C (refer to output load derating curve)
 Safety standards UL1950, CSA 22.2, TUV EN60950-1 approved
 EMC standards EN55022 class B, EN61000-3-2,3, ENV50204, EN61000-4-2,3,4,5,6,11
 Standard output cable 150cm of UL2464
 Length of output cable R1B: DIN 5P

♦ 25W — Triple output (IEC 320-C14 / Class I)

Order No.	Output	Tol.	R&N	Effi.	Max.
P25A13D-R1B	5V, 0.5~2.5A	±5%	50mV	72%	25W
	12V, 0.1~0.8A	±5%	100mV		
	-12V, 0.1~0.3A	±3%	100mV		
P25A14E-R1B	5V, 0.5~2.5A	±5%	50mV	74%	25W
	15V, 0.1~0.5A	±5%	100mV		
	-15V, 0.1~0.3A	±3%	100mV		

♦ 25W — Triple output (IEC 320-C8 / Class II)

Order No.	Output	Tol.	R&N	Effi.	Max.
P25B13D-R1B	5V, 0.5~2.5A	±5%	50mV	72%	25W
	12V, 0.1~0.8A	±5%	100mV		
	-12V, 0.1~0.3A	±3%	100mV		
P25B14E-R1B	5V, 0.5~2.5A	±5%	50mV	74%	25W
	15V, 0.1~0.5A	±5%	100mV		
	-15V, 0.1~0.3A	±3%	100mV		

50W AC-DC Triple Output



- 3 pole AC inlet IEC320-C14
- Class I power (with earth pin)
- Protections: Short circuit / Overload / Over voltage
- Fully enclosed plastic case
- LED indicator for power on
- 1 year warranty

AC input voltage range 90~264VAC / 1.6A
 AC inrush current(max.) Cold start, <40A at 230VAC
 Overload protection Hiccup mode, auto-recovery
 Over voltage protection 110~140% for +5V output
 Hold up time 12ms at full load
 Withstand voltage I/P-O/P:3kVAC, I/P-FG:1.5kVAC, 1 minute
 Working temperature 0~+40°C (refer to output load derating curve)
 Safety standards UL1950, TUV EN60950-1 approved
 EMC standards EN55022 class B, EN61000-3-2,3, EN61000-4-2,3,4,5,6,11, ENV50204
 Length of output cable 120cm of UL2464
 Standard DC plug..... R1B: DIN 5P

Pin Assignment	
	PIN1: COM
	PIN2: COM
	PIN3: +5VDC
	PIN4: -Vout
	PIN5: +Vout

Order No.	Output	Tol.	R&N	Effi.	Max.
P50A13D-R1B	5V, 0.5~4.0A	±6%	50mV	72%	50W
	12V, 0.5~2.0A	±10%	100mV		
	-12V, 0.1~0.5A	±12%	100mV		
P50A14E-R1B	5V, 0.5~4.0A	±6%	50mV	74%	50W
	15V, 0.5~1.5A	±10%	100mV		
	-15V, 0.1~0.5A	±12%	100mV		

Optional DC Plug List

Tuning Fork Style	Type	A	B	C
		OD	ID	L
	P1I	5.5	2.1	9.5
	P1J	5.5	2.1	11.0
	P1L	5.5	2.5	9.5
	P1M	5.5	2.5	11.0
Barrel Style	Type	A	B	C
		OD	ID	L
	P2I	5.5	2.1	9.5
	P2J	5.5	2.1	11.0
	P2L	5.5	2.5	9.5
	P2M	5.5	2.5	11.0
DIN 5 Pin	Type	Pin Assignment		
		Single	Triple	
	R1B	1	COM	COM
		2	COM	COM
		3	Vout	+5V
		4	COM	-Vout
		5	Vout	+Vout
DIN 4 Pin with lock	Type	Pin Assignment		
		PIN No.	Output	
	R7B	1	+Vout	
		2	GND	
		3	GND	
		4	+Vout	

► Minimum order quantity is varied for different models.



To Satisfy our customers is our goal —

- High Quality
- Low Cost
- Prompt Delivery
- Best Service



Best products also need best service.

We have authorized distributors all over the world. They have sufficient stock for your prompt delivery. Also they can offer you technical support & RMA services. Please contact your local distributors for more product information. You can also contact us at info@meanwell.com for information of your local distributors.

Adaptor

30~50W Single Output and Medical Type



■ Features

- Universal AC input / Full range
- Full output 3~48V safety approved
- Protections: Short circuit / Over voltage / Overload / Over temp.
- Fully enclosed plastic case
- Fixed switching frequency and regulation
- Topology: Top switch circuit
- Low leakage current $\leq 0.3\text{mA}$
- LED indicator for power on
- Medical safety approved
- 2 years warranty

■ General Specification (Please refer to www.meanwell.com for detail spec.)



Order No.	MES30A	MES30C	MES50A	MES30B
AC input voltage range	90~264VAC / 0.8~0.4A			
AC inrush current (max.)	Cold start, <35A peak at 230VAC			
Overload protection	Hiccup mode, auto-recovery			
Over voltage protection	110%~140% rated output voltage		110%~150% rated output voltage	110%~140% rated output voltage
Setup, rise, hold up time	300ms, 50ms, 16ms at full load			
Withstand voltage	I/P-O/P:5656VDC, I/P-FG:2828VDC, 1 minute			I/P-O/P:5656VDC, 1 minute
Working temperature	0~+65°C (refer to output load derating curve)			
Safety standards	UL60601-1, TUV EN60601-1, IEC601-1 approved			
EMC standards	EN55011 class B, EN61000-3-2,3, EN61000-4-2,3,4,5,6,8,11 (EN60601-1-2)			
Standard output cable	180cm of UL1185,18AWG for 9~48V output ; 120cm of SPT-2,16AWG for 3~7.5V output			
Standard output plug	P1J: 2.1øx5.5øx11mm / C+, tuning fork type (refer to page 68 for DC plug list)			

■ Desktop (IEC 320-C14 / Class I)— 30W

Order No.	Output	Tol.	R&N	Effi.
MES30A-0P1J	3.3V, 0~5.00A	±8%	30mV	56%
MES30A-1P1J	5V, 0~5.00A	±5%	30mV	70%
MES30A-1-1P1J	7.5V, 0~3.33A	±4%	40mV	72%
MES30A-2P1J	9V, 0~3.33A	±4%	50mV	74%
MES30A-3P1J	12V, 0~2.50A	±3%	50mV	76%
MES30A-4P1J	15V, 0~2.00A	±2%	60mV	78%
MES30A-5P1J	18V, 0~1.66A	±2%	70mV	78%
MES30A-6P1J	24V, 0~1.25A	±2%	80mV	80%
MES30A-7P1J	28V, 0~1.07A	±2%	100mV	80%
MES30A-8P1J	48V, 0~0.62A	±2%	100mV	82%

■ Desktop (IEC 320-C6 / Class I)— 30W

Order No.	Output	Tol.	R&N	Effi.
MES30C-0P1J	3.3V, 0~5.00A	±8%	30mV	56%
MES30C-1P1J	5V, 0~5.00A	±5%	30mV	70%
MES30C-1-1P1J	7.5V, 0~3.33A	±4%	40mV	72%
MES30C-2P1J	9V, 0~3.33A	±4%	50mV	74%
MES30C-3P1J	12V, 0~2.50A	±3%	50mV	76%
MES30C-4P1J	15V, 0~2.00A	±2%	60mV	78%
MES30C-6P1J	24V, 0~1.25A	±2%	80mV	80%
MES30C-8P1J	48V, 0~0.62A	±2%	100mV	82%

■ Desktop (IEC 320-C8 / Class II)— 30W

Order No.	Output	Tol.	R&N	Effi.
MES30B-0P1J	3.3V, 0~5.00A	±8%	30mV	56%
MES30B-1P1J	5V, 0~5.00A	±5%	30mV	70%
MES30B-1-1P1J	7.5V, 0~3.33A	±4%	40mV	72%
MES30B-2P1J	9V, 0~3.33A	±4%	50mV	74%
MES30B-3P1J	12V, 0~2.50A	±3%	50mV	76%
MES30B-4P1J	15V, 0~2.00A	±2%	60mV	78%
MES30B-6P1J	24V, 0~1.25A	±2%	80mV	80%
MES30B-8P1J	48V, 0~0.62A	±2%	100mV	82%

■ Desktop (IEC 320-C14 / Class I)— 50W

Order No.	Output	Tol.	R&N	Effi.
MES50A-0R1B	3.3V, 0~7.50A	±10%	50mV	60%
MES50A-1R1B	5V, 0~7.50A	±6%	50mV	67%
MES50A-1-1R1B	7.5V, 0~5.33A	±5%	75mV	70%
MES50A-2P1J	9V, 0~5.00A	±5%	90mV	72%
MES50A-3P1J	12V, 0~4.16A	±3%	100mV	74%
MES50A-4P1J	15V, 0~3.33A	±3%	100mV	75%
MES50A-5P1J	18V, 0~2.77A	±3%	150mV	78%
MES50A-6P1J	24V, 0~2.08A	±2%	150mV	78%
MES50A-7P1J	28V, 0~1.78A	±2%	150mV	80%
MES50A-8P1J	48V, 0~1.04A	±2%	200mV	80%

Security Series

35~100W Single Output



35W, 50W, 75W Single Output

- Universal AC input / Full range
- Protections: Short circuit / Overload / Over voltage / Battery polarity (by fuse)
- Cooling by free air convection
- LED indicator for power on
- **No load power consumption <0.75W**
- Temperature compensation function (by external thermistor)
- 100% full load burn-in test
- 2 years warranty



AC input voltage range 85~264VAC/ 120~370VDC
 AC inrush current Cold start, 45A
 DC adjustment range 95%~115% rated output voltage
 Overload protection 120%~165%, hiccup mode, auto-recovery
 Over voltage protection 120%~140%, rated output voltage
 Setup, rise, hold up time 500ms, 1200ms, 50ms at full load and 230VAC
 Withstand voltage I/P-O/P: 3kVAC, I/P-FG: 1.5kVAC, 1minute
 Working temperature -20~60°C (refer to output derating curve)
 Safety standards UL60950-1 approved
 EMC standards EN55022 class B, EN61000-3-2,3, EN61000-4-2,3,4,5,6,8,11, ENV50204, EN55024, EN61000-6-1
 Connection I/P: 3 poles, O/P: 2 poles screw terminal
 Packing 0.37Kg ; 45pcs / 17.7Kg / 1CUFT (SCP-35)
 0.45Kg ; 30pcs / 14.5Kg / 0.95CUFT (SCP-50)
 0.5Kg ; 30pcs / 16.0Kg / 1CUFT (SCP-75)

✦ SCP-35 Series

Model No.	Output	Tol.	R&N	Effi.	Max.
SCP-35-12	13.8V, 0~2.6A	±2%	120mV	83%	36W
SCP-35-24	27.6V, 0~1.4A	±1%	200mV	86%	39W

✦ SCP-50 Series

Model No.	Output	Tol.	R&N	Effi.	Max.
SCP-50-12	13.8V, 0~3.6A	±2%	120mV	81%	50W
SCP-50-24	27.6V, 0~1.8A	±1%	200mV	85%	50W

✦ SCP-75 Series

Model No.	Output	Tol.	R&N	Effi.	Max.
SCP-75-12	13.8V, 0~5.4A	±1%	120mV	81%	75W
SCP-75-24	27.6V, 0~2.7A	±1%	200mV	85%	75W

60W Single Output with Battery Charger (UPS Function)



- Universal AC input / Full range
- 4"x 2" compact size
- Protections: Short circuit / Overload / Over voltage
- Battery low protection / Battery reverse polarity protection by fuse
- Alarm signal for AC OK and Battery low
- Cooling by free air convection
- 100% full load burn-in test
- **Case available(PSC-60x-C)**
- 2 years warranty

AC input voltage range 90~264VAC; 127~370VDC
 AC inrush current Cold start, 30A at 115VAC, 60A at 230VAC
 DC adjustment range CH1, 13.8V: 12~15V; 27.6V: 24~29V
 Overload protection 105%~150% hiccup mode, auto-recovery
 Over voltage protection CH1: 105%~135% rated output voltage
 Setup, rise, hold up time 800ms, 50ms, 50ms at full load and 230VAC
 Withstand voltage I/P-O/P:3kVAC, I/P-FG:1.5kVAC, 1minute
 Working temperature -20~+70°C(refer to output derating curve)
 Safety standards UL60950-1, TUV EN60950-1 approved
 EMC standards EN55022 class B, EN61000-3-2,3, EN61000-4-2,3,4,5,6,8,11, ENV50204
 Connection 3+6P/ 3.96mm pitch, JST: B3P/B6P-VH
 Packing 0.13kg ; 96pcs / 13.5kg / 0.89CUFT

Model No.	Output	Tol.	R&N	Effi.	Max.
PSC-60A□	13.8V, 0~4.3A	±1%	120mV	84%	59W
	13.8V, 0~1.50A	(Charger)			
PSC-60B□	27.6V, 0~2.15A	±1%	240mV	84%	59W
	27.6V, 0~0.75A	(Charger)			

□ = blank, -C ; Blank: PCB Type, -C: Enclosed Type

100W Single Output with Battery Charger (UPS Function)



- Universal AC input / Full range
- 5"x3" compact size
- Protections: Short circuit / Overload / Over voltage
- Battery low protection / Battery reverse polarity protection by fuse
- Relay contact signal for AC OK and battery low
- Cooling by free air convection
- 100% full load burn-in test
- **Case available(PSC-100x-C)**
- 2 years warranty

AC input voltage range 90~264VAC; 127~370VDC
 AC inrush current Cold start, 35A at 115VAC, 70A at 230VAC
 DC adjustment range CH1, 13.8V: 12~15V; 27.6V: 24~29V
 Overload protection 105%~150% hiccup mode, auto-recovery
 Over voltage protection CH1: 105%~135% rated output voltage
 Setup, rise, hold up time 2400ms, 30ms, 40ms at full load and 230VAC
 Withstand voltage I/P-O/P:3kVAC, I/P-FG:1.5kVAC, 1minute
 Working temperature -20~+70°C(refer to output derating curve)
 Safety standards UL60950-1, TUV EN60950-1 approved
 EMC standards EN55022 class B, EN61000-3-2,3, EN61000-4-2,3,4,5,6,8,11, ENV50204
 Connection 3+8P/ 3.96mm pitch, 4P/2.5mm pitch, JST:B3P/B8P-VH, B4B-XH

Model No.	Output	Tol.	R&N	Effi.	Max.
PSC-100A□	13.8V, 0~7.0A	±1%	100mV	86%	100W
	13.8V, 0~2.5A	(Charger)			
PSC-100B□	27.6V, 0~3.50A	±1%	100mV	88%	101W
	27.6V, 0~1.25A	(Charger)			

□ = blank, -C ; Blank: PCB Type, -C: Enclosed Type



We provide specification, drawing, test report and more information, please visit our website — <http://www.meanwell.com>

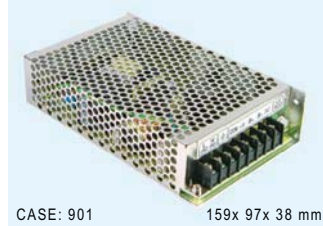


Best products also need best service.
 We have authorized distributors all over the world. They have sufficient stock for your prompt delivery. Also they can offer you technical support & RMA services. Please contact your local distributors for more product information. You can also contact us at info@meanwell.com for information of your local distributors.

Security Series 55~155W Single and Dual Output



55W 1~2 Output with Battery Charger



CASE: 901 159x 97x 38 mm

- Universal AC input / Full range
- Protections: Short circuit / Overload / Over voltage
- Battery low protection (except for ADS series)
- DC alarm signal (optional)
- Cooling by free air convection
- Fixed switching frequency at 45kHz
- Approvals: UL / CUL / TUV / CB / CE
- 100% full load burn-in test
- 2 years warranty

AC input voltage range 88~264VAC; 124~370VDC
 AC inrush current Cold start, 20A at 115VAC, 40A at 230VAC
 DC adjustment range 12V, 24V: $\pm 10\%$
 13.8V: 12~14.5V; 27.6V: 24~29V
 Overload protection 105%~150% hiccup mode, auto-recovery
 Over voltage protection CH1: 105%~135% rated output voltage
 Setup, rise, hold up time 800ms, 50ms, 80ms at full load and 230VAC
 Withstand voltage I/P-O/P:3kVAC, I/P-FG:1.5kVAC, 1minute
 Working temperature -10~60°C(refer to output derating curve)
 Safety standards UL60950-1, TUV EN60950-1 approved
 EMC standards EN55022 class B, EN61000-3-2,3,
 EN61000-4-2,3,4,5,6,8,11, ENV50204
 Connection 8P/ 8.25mm pitch terminal block
 Packing 0.57kg ; 24pcs / 13.7kg / 0.75CUFT

Single Output with 5V, 4A DC-DC Converter

Model No.	Output	Tol.	R&N	Effi.	Max.
ADS-5512	12V, 0~4.0A	$\pm 1\%$	100mV	74%	51W
	5V, 0~4.0A	$\pm 3\%$	100mV		
ADS-5524	24V, 0~2.5A	$\pm 1\%$	100mV	74%	58W
	5V, 0~4.0A	$\pm 3\%$	100mV		

Single Output with Battery Charger (UPS Function)

Model No.	Output	Tol.	R&N	Effi.	Max.
AD-55A	13.8V, 0~4.0A	$\pm 1\%$	100mV	71%	51W
	13.4V, 0~0.23A	(Charger)			
AD-55B	27.6V, 0~2.0A	$\pm 1\%$	100mV	74%	54W
	26.5V, 0~0.16A	(Charger)			

Dual Output with Battery Charger (UPS Function)

Model No.	Output	Tol.	R&N	Effi.	Max.
ADD-55A	13.8V, 0~3.50A	$\pm 1\%$	100mV	71%	53W
	5V, 0~4.00A	$\pm 3\%$	100mV		
	13.4V, 0~0.23A	(Charger)			
ADD-55B	27.6V, 0~2.00A	$\pm 1\%$	150mV	74%	55W
	5V, 0~4.00A	$\pm 3\%$	150mV		
	26.5V, 0~0.16A	(Charger)			

155W 1~2 Output with Battery Charger and PFC Function



CASE: 906B 199x 110x 50 mm

- Universal AC input / Full range
- PF>0.92@230VAC and full load
- Protections: Short circuit / Overload / Over voltage
- Battery low protection (except for ADS series)
- Cooling by free air convection
- Fixed switching frequency at 134kHz
- Approvals: UL / CUL / TUV / CB / CE
- 100% full load burn-in test
- 2 years warranty

AC input voltage range 88~264VAC; 124~370VDC
 AC inrush current Cold start, 20A at 115VAC, 40A at 230VAC
 DC adjustment range 12V, 24V, 48V: $\pm 10\%$
 13.8V: 12~14.5V; 27.6V: 24~29V; 54V: 48~58V
 Overload protection CH1,2: 105%~135%, charger: 0.51~0.9A;
 constant current limiting, auto-recovery
 Over voltage protection CH1: 115%~135% rated output voltage
 Setup, rise, hold up time ... 1000ms, 90ms, 24ms at full load and 230VAC
 Withstand voltage I/P-O/P:3kVAC, I/P-FG:1.5kVAC, 1minute
 Working temperature With fan:-10~50°C@100% , 60°C@80% load
 Without fan:-10~50°C@70% , 60°C@50% load
 Safety standards UL60950-1, TUV EN60950-1 approved
 EMC standards EN55022 class B, EN61000-3-2,3,
 EN61000-4-2,3,4,5,6,8,11, ENV50204
 Connection 8P/ 9.5mm pitch terminal block
 Packing 1.0kg ; 16pcs / 16.0kg / 0.95CUFT

Single Output with 5V, 3A DC-DC Converter

Model No.	Output	Tol.	R&N	Effi.	Max.
ADS-15512	12V, 0~12.5A	$\pm 2\%$	150mV	77%	153W
	5V, 0~3.00A	$\pm 3\%$	100mV		
ADS-15524	24V, 0~6.50A	$\pm 1\%$	150mV	82%	154W
	5V, 0~3.00A	$\pm 3\%$	100mV		
ADS-15548	48V, 0~3.20A	$\pm 1\%$	240mV	82%	154W
	5V, 0~3.00A	$\pm 5\%$	100mV		

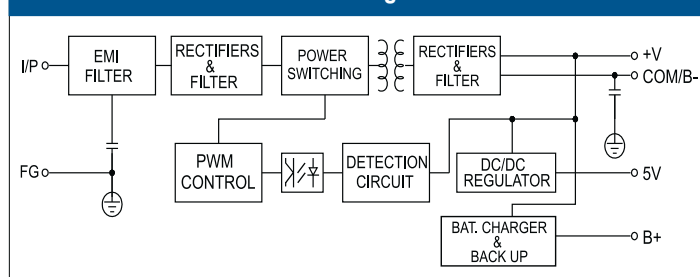
Single Output with Battery Charger (UPS Function)

Model No.	Output	Tol.	R&N	Effi.	Max.
AD-155A	13.8V, 0~11.5A	$\pm 2\%$	150mV	80%	152W
	13.3V, 0~0.50A	(Charger)			
AD-155B	27.6V, 0~5.50A	$\pm 1\%$	150mV	84%	152W
	27.1V, 0~0.50A	(Charger)			
AD-155C	54.0V, 0~2.70A	$\pm 1\%$	240mV	84%	157W
	53.5V, 0~0.50A	(Charger)			

Dual Output with Battery Charger (UPS Function)

Model No.	Output	Tol.	R&N	Effi.	Max.
ADD-155A	13.8V, 0~10.5A	$\pm 1\%$	150mV	78%	153W
	5V, 0~3.00A	$\pm 3\%$	100mV		
	13.3V, 0~0.50A	(Charger)			
ADD-155B	27.6V, 0~5.00A	$\pm 1\%$	200mV	81%	153W
	5V, 0~3.00A	$\pm 3\%$	100mV		
	27.1V, 0~0.50A	(Charger)			
ADD-155C	54.0V, 0~2.50A	$\pm 1\%$	240mV	81%	150W
	5V, 0~3.00A	$\pm 5\%$	100mV		
	53.5V, 0~0.20A	(Charger)			

Block Diagram



Video Game / ATX Power



104W AC-DC Triple Output for Video Game



- AC input range selectable by switch
- Protections: Short circuit / Overload
- 2 color LED display for 602A, 606A
- Cooling by free air convection
- 100% full load burn-in test
- Low cost, high reliability
- 2 years warranty

AC input voltage range 88~132VAC/ 176~264VAC selectable by switch
 DC adjustment range CH1: -5%~+10% rated output voltage
 Overload protection 105%~135% shut off, AC recycle to re-start
 Setup, rise, hold up time 200ms, 50ms, 16ms at full load and 230VAC
 Withstand voltage I/P-O/P: 1.5kVAC, I/P-FG:1.5kVAC, 1minute
 Working temperature 0~40°C@100%, -10°C@80%, 60°C@60% load
 Safety standards UL60950-1, TUV EN60950-1 for MWP-606
 TUV EN60950-1 for MWP-608
 EMC standards EN55022 class B, EN61000-4-2,3,4
 EN60555-2,3 for MWP-606/608 series
 Packing 0.9kg ; 16pcs / 15.4kg / 0.95CUFT

◆ MWP-602 Series

Model No.	Output	Tol.	R&N	Effi.	Max.
MWP-602	5V, 3.0~15A	±2%	50mV	75%	104W
	12V, 0.2~3.0A	±8%	120mV		
	-5V, 0.1~1.0A	±10%	60mV		
MWP-602A	5V, 3.0~15A	±2%	50mV	75%	104W
	12V, 0.2~3.0A	±8%	120mV		
	-5V, 0.1~1.0A	±10%	60mV		

◆ MWP-606 Series



Model No.	Output	Tol.	R&N	Effi.	Max.
MWP-606	5V, 3.0~15A	±2%	50mV	75%	104W
	12V, 0.2~4.0A	±8%	120mV		
	-5V, 0.1~1.0A	±10%	60mV		
MWP-606A	5V, 3.0~15A	±2%	50mV	75%	104W
	12V, 0.2~4.0A	±8%	120mV		
	-5V, 0.1~1.0A	±10%	60mV		

◆ MWP-608 Series



Model No.	Output	Tol.	R&N	Effi.	Max.
MWP-608	5V, 3.0~15A	±2%	50mV	80%	104W
	12V, 0.2~4.0A	±8%	120mV		
	24V, 0.2~4.0A	-5%, +10%	150mV		



Who can provide you better services and be a trustworthy partner in the power industry?

— "MEAN WELL" tries to be —



We provide specification, drawing, test report and more information, please visit our website —

<http://www.meanwell.com>



Best products also need best service.

We have authorized distributors all over the world. They have sufficient stock for your prompt delivery. Also they can offer you technical support & RMA services. Please contact your local distributors for more product information. You can also contact us at info@meanwell.com for information of your local distributors.

304W AC-DC Triple Output for Video Game



- AC input range selectable by switch for MWP-610
- 230VAC input only for MWP-610P
- Built-in passive PFC for MWP-610P, PF>0.7
- Power ON/OFF switch
- Forced air cooling by built-in DC fan
- Protections: Short circuit / Overload / Over voltage / Over temp.
- 100% full load burn-in test
- Low cost, high reliability
- 2 years warranty

AC input voltage range 200~264VAC for MWP-610P;
 100~132VAC/200~264VAC selectable by switch for MWP-610
 DC adjustment range ±5% rated output voltage
 Overload protection 105%~200% shut off, AC recycle to re-start
 Over voltage protection 105%~140% rated output voltage
 Hold up time 12ms at full load
 Withstand voltage I/P-O/P: 1.5kVAC, I/P-FG:1.5kVAC, 1minute
 Working temperature -10~50°C(refer to output derating curve)
 EMC standards EN55022 class B, EN61000-3-2,3,
 EN61000-4-2,3,4,5,6,8,11 for MWP-610P

Model No.	Output(10min.) / (Continuous)	Tol.	R&N	Effi.	Max.
MWP-610 □	5V, 1.5~8A / 5V, 1.5~8A	±5%	80mV	76%	244W (cont.)
	12V, 1~12A / 12V, 1~8A	±5%	150mV		
	24V, 0.5~5A / 35V, 0.5~4.5A	±5%	200mV		304W (10 mins.)

□ = P: 230VAC only and with passive PFC function
 Blank: 115V/ 230V selectable by switch and without PFC function

100W AC-DC ATX Power



- Universal AC input / Full range
- No load power consumption < 1W @240VAC
- 3 pole AC inlet IEC320-C14
- Built-in active PFC function, PF>0.95
- Class I power (with earth pin)
- Protections: Short circuit / Overload / Over voltage / Over temp.
- Power on LED indicator
- Fully enclosed plastic case
- 2 years warranty

Setup, rise, hold up time 300ms, 80ms, 40ms at full load and 230VAC
 Overload protection 140%~200% load, shut off
 Over voltage protection 110%~130% rated output voltage (CH1,2,3)
 Withstand voltage I/P-O/P:3kVAC
 Working temperature 0~+40°C@100%, 50°C@80% load
 Safety standards IEC60950-1 CB approved by TUV
 EMC standards EN55022 class B, EN61000-3-2,3, EN61204-3,
 EN61000-4-2,3,4,5,6,8,11, ENV50204
 Length of output cable 65cm of UL rated, 18AWGx20C
 Standard DC plug Molex 39-01-2200 or equivalent

Order No.	Output	Tol.	R&N	Effi.	Max.
ATX-100	3.3V, 0~6.0A	±5%	100mV	80%	100W (cont.)
	5V, 0~8.0A	±5%	100mV		
	12V, 1~7.0A	±5%	120mV		125W (7 min.)
	-12V, 0~0.5A	±10%	120mV		150W (3 min.)
	5VSB, 0~2.0A	±5%	100mV		

ATX Power

200~350W



200~300W Industrial ATX PC Power Supply



- 240x 83x 40 mm (200 / 250W)
- 260x 83x 40 mm (300W)

- Universal AC input / Full range
- Low profile for 1U/2U rack system
- Built-in active PFC function, PF>0.94
- Protections: Short circuit / Overload / Over voltage
- With power good and fail signal output
- Forced air cooling by built-in DC fan
- Remote sense on CH1, CH2
- PS-ON signal input
- 24V/3A output with 7A peak capability (IPC-300B)
- 2 years warranty

Hold up time 16ms min. at full load and 115Vac
 Overload protection 105%~150% shut off, AC recycle to re-start
 Over voltage protection 110%~140% rated output voltage for CH1~CH3
 Withstand voltage I/P-O/P, I/P-FG:1.5kVAC, 1minute
 Working temperature -10~60°C (refer to output derating curve)
 Safety standards UL60950-1, TUV EN60950-1 approved
 EMC standards EN55022 class B, EN61000-3-2,-3
 EN61000-4-2,3,4,5,6,8,11

Model No.	Output	Tol.	R&N	Effi.	Max.	
IPC-200	3.3V, 0~15A	±5%	50mV	75%	200W	
	5V, 1~25A	±5%	50mV			
	12V, 1~13A	±7%	120mV			
	-5V, 0~0.5A	±8%	100mV			
	-12V, 0.1~1.0A	±10%	120mV			
IPC-250	5VSB, 0~2.0A	±5%	50mV	75%	250W	
	3.3V, 0~20A	±5%	50mV			
	5V, 1~25A	±5%	50mV			
	12V, 1~15A	±7%	120mV			
	-5V, 0~0.5A	±8%	100mV			
IPC-300A	-12V, 0.1~1.0A	±10%	120mV	75%	300W	
	5VSB, 0~2.0A	±5%	50mV			
	3.3V, 0~20A	±5%	50mV			
	5V, 1~30A	±5%	50mV			
	12V, 1~18A	±7%	120mV			
IPC-300B	-5V, 0~0.5A	±8%	100mV	80%	300W	
	-12V, 0.1~1.0A	±10%	120mV			
	5VSB, 0~2.0A	±5%	50mV			
	24V, 0~3.0A	±5%	240mV			
	5V, 1~30A	±5%	50mV			
	12V, 1~18A	±7%	120mV			
	-5V, 0~0.5A	±8%	100mV			
	-12V, 0.1~1.0A	±10%	120mV			
	5VSB, 0~2.0A	±5%	50mV			

250~350W ATX PC Power Supply

- Universal AC input for YP-350J
- AC input 230VAC only for YP-350A/400A/450A-EU
- AC input range selectable by switch for YP-350A/ 400A / 450A-AA
- Built-in passive PFC for YP-350A/400A/450A-EU
- Built-in active PFC function, PF>0.95 for YP-350J
- Built-in passive PFC function, PF>0.65 for YP-350A/400A/450A-EU
- Protections: Short circuit / Overload

- Power good / fail signal
- Forced air cooling by built-in DC fan
- 100% full load burn-in test
- Low cost, high reliability
- Approvals:
YP-350A / 400A / 450A-AA: FCC
YP-350A / 400A / 450A-EU: TUV / CB / CE
- 2 years warranty for YP-350J
- 1 year warranty for YP-350A/400A/450A



Hold up time 8ms min. at full load (YP-350A / 400A / 450A), 10ms min. at full load (YP-350J)
 Overload protection 105%~180% shut off, AC recycle to re-start
 Withstand voltage I/P-O/P, I/P-FG:1.5kVAC, 1minute
 Working temperature -10~40°C at full load and 230VAC (typical)
 Safety standards UL60950-1(YP-350J only), EN60950-1 approved

✦ 103~132VAC / 206~264VAC selectable or 206~264VAC only

Model No.	Output	Tol.	R&N	Effi.	Max.
YP-350A-□	3.3V, 2.0~17A	±5%	50mV	70%	250W
	5V, 2.0~18A	±5%	50mV		
	12V ₁ , 1.0~8.0A	±5%	120mV		
	12V ₂ , 1.0~14A	±5%	120mV		
	-5V, 0.1~0.3A	±10%	50mV		
YP-400A-□	-12V, 0.1~0.8A	±10%	120mV	70%	300W
	5VSB, 0~2.0A	±5%	50mV		
	3.3V, 2.0~20A	±5%	50mV		
	5V, 2.0~20A	±5%	50mV		
	12V ₁ , 1.0~8.0A	±5%	120mV		
YP-450A-□	12V ₂ , 1.0~14A	±5%	120mV	70%	350W
	-5V, 0.1~0.3A	±10%	50mV		
	-12V, 0.1~0.8A	±10%	120mV		
	5VSB, 0~2.0A	±5%	50mV		
	3.3V, 2.0~22A	±5%	50mV		
	5V, 2.0~21A	±5%	50mV		
	12V ₁ , 1.0~10A	±5%	120mV		
	12V ₂ , 1.0~15A	±5%	120mV		
	-5V, 0.1~0.3A	±10%	50mV		
	-12V, 0.1~0.8A	±10%	120mV		
	5VSB, 0~2.0A	±5%	50mV		

□=AA (115/230VAC selectable and without PFC function), EU (230VAC only and with passive PFC function)

✦ 24V Output and Active PFC>0.95 (100~264VAC Input)

Model No.	Output	Tol.	R&N	Effi.	Max.
YP-350J-AA	3.3V, 0.3~14A	±5%	50mV	70%	350W
	5V, 0.1~21A	±5%	50mV		
	12V, 0~15A	-2%, +8%	120mV		
	24V, 0~5.0A	-2%, +8%	150mV		
	-5V, 0~0.3A	±5%	100mV		
	-12V, 0~0.8A	±10%	120mV		
	5VSB, 0~2.0A	±5%	50mV		



Customer Satisfaction —

Today's effort, tomorrow's reward. Continuously improve CQTS to satisfy customer is our goal.



48hrs delivery—

We keep enough stock for 95% of standard models at our 2400m² warehouse. We can arrange prompt delivery within 48hrs.

DC/DC Converter

0.5~1W Module Type



0.5W DC-DC Regulated Single Output



0.89"x 0.39"x 0.33"

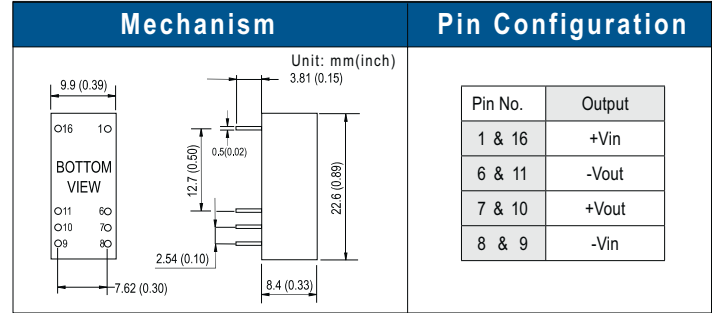
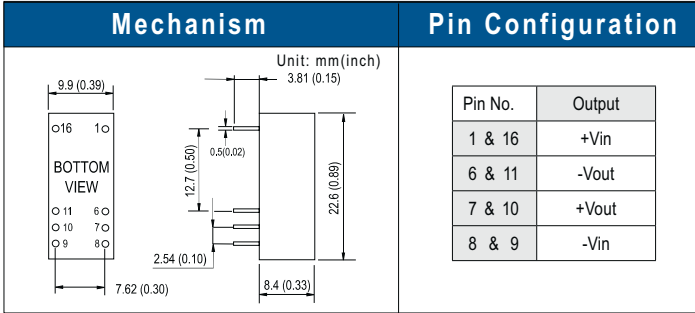
- 1000VDC I/O isolation
- Internal SMD technology
- Built-in EMI filter
- Protection: Short circuit
- Cooling by free air convection
- Non-conductive plastic case
- Dual in line package
- 100% full load burn-in test
- Low cost, high reliability
- 2 years warranty

1W DC-DC Unregulated Single Output



0.89"x 0.39"x 0.33"

- 1000VDC I/O isolation
- Internal SMD technology
- Built-in EMI filter
- Protection: Short circuit
- Cooling by free air convection
- Non-conductive plastic case
- Dual in line package
- SIP package is available
- 100% full load burn-in test
- Low cost, high reliability
- 2 years warranty



- Voltage set point accuracy... $\pm 2\%$ (typical)
- Line regulation $\pm 1\%$ (max.)
- Load regulation $\pm 1\%$ (max.)@10~100% load
- Input reflected ripple 120mVp-p
- Efficiency 60% (typical)
- Short circuit protection continuous, auto-recovery
- Switching frequency 50kHz (min.)
- I/O isolation voltage 1000VDC (min.)
- I/O isolation resistance 100M Ω (min.)@ 500VDC
- Isolation capacitance 80pF (max.)
- Working temperature -25°C to +60°C (no derating), +71°C@80% load
- Storage temperature -25°C to +105°C
- Temp. Coefficient $\pm 0.03\%$ / °C (max.)
- Case material non-conductive plastic

- Voltage set point accuracy ... $\pm 2\%$ (max.)
- Line regulation $\pm 1.2\%$ (max.) for 1% input variation
- Load regulation $\pm 8\%$ (max.)@20~100% load
- Input reflected ripple 120mVp-p
- Efficiency 83% (typical)
- Short circuit protection Momentary
- Switching frequency 50kHz (min.)
- I/O isolation voltage 1000VDC (min.)
- I/O isolation resistance 100M Ω (min.)@ 500VDC
- Isolation capacitance 80pF (max.)
- Working temperature -25°C to +60°C (no derating), +71°C@80% load
- Storage temperature -25°C to +105°C
- Temp. Coefficient $\pm 0.03\%$ / °C (max.)
- Case material non-conductive plastic

Model No.	Input (VDC)	Output (VDC)	Current (mA)	R&N (mVp-p)
SRS-0505	5 \pm 10%	5	100	100
SRS-0509	5 \pm 10%	9	56	100
SRS-0512	5 \pm 10%	12	42	100
SRS-0515	5 \pm 10%	15	34	100
SRS-1205	12 \pm 10%	5	100	100
SRS-1209	12 \pm 10%	9	56	100
SRS-1212	12 \pm 10%	12	42	100
SRS-1215	12 \pm 10%	15	34	100
SRS-2405	24 \pm 10%	5	100	100
SRS-2409	24 \pm 10%	9	56	100
SRS-2412	24 \pm 10%	12	42	100
SRS-2415	24 \pm 10%	15	34	100
SRS-4805	48 \pm 10%	5	100	100
SRS-4809	48 \pm 10%	9	56	100
SRS-4812	48 \pm 10%	12	42	100
SRS-4815	48 \pm 10%	15	34	100

Model No.	Input (VDC)	Output (VDC)	Current (mA)	R&N (mVp-p)
SUS01L-05	5 \pm 10%	5	200	100
SUS01L-09	5 \pm 10%	9	111	100
SUS01L-12	5 \pm 10%	12	84	100
SUS01L-15	5 \pm 10%	15	67	100
SUS01M-05	12 \pm 10%	5	200	100
SUS01M-09	12 \pm 10%	9	111	100
SUS01M-12	12 \pm 10%	12	84	100
SUS01M-15	12 \pm 10%	15	67	100
SUS01N-05	24 \pm 10%	5	200	100
SUS01N-09	24 \pm 10%	9	111	100
SUS01N-12	24 \pm 10%	12	84	100
SUS01N-15	24 \pm 10%	15	67	100
SUS01O-05	48 \pm 10%	5	200	100
SUS01O-09	48 \pm 10%	9	111	100
SUS01O-12	48 \pm 10%	12	84	100
SUS01O-15	48 \pm 10%	15	67	100

DC/DC Converter

1W Module Type

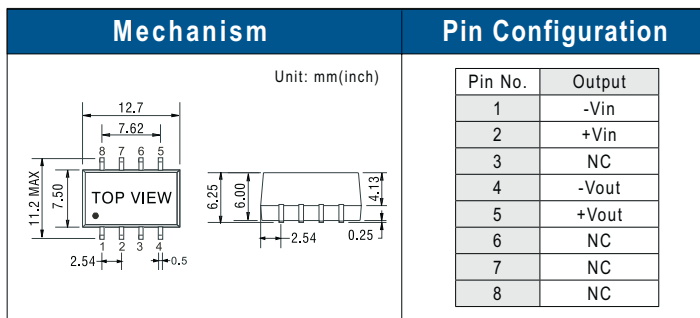


1W DC-DC Unregulated Single Output



0.50"x 0.30"x 0.24"

- 1000VDC I/O isolation
- Internal SMD technology
- Protection: Short circuit
- Cooling by free air convection
- Non-conductive plastic case
- SMD package style
- 100% full load burn-in test
- Low cost, high reliability
- 1 year warranty



- Voltage set point accuracy $\pm 8\%$ (max.)
- Line regulation $\pm 1.2\%$ (max.) for 1% input variation
- Load regulation $\pm 8\%$ (max.)@20~100% load
- Input reflected ripple 100mVp-p
- Efficiency 75% (typical)
- Short circuit protection Momentary
- Switching frequency 100kHz (typical)
- I/O isolation voltage 1000VDC (min.)
- I/O isolation resistance 100M Ω (min.)@ 500VDC
- Working temperature -40°C to +85°C
- Storage temperature -40°C to +105°C
- Temp. Coefficient $\pm 0.03\%$ / °C (max.)
- Case material non-conductive plastic
- Safety standards UL60950-1 approved

Model No.	Input (VDC)	Output (VDC)	Current (mA)	R&N (mVp-p)
SBT01L-05	5 $\pm 10\%$	5	200	100
SBT01L-09	5 $\pm 10\%$	9	111	100
SBT01L-12	5 $\pm 10\%$	12	84	100
SBT01L-15	5 $\pm 10\%$	15	67	100
SBT01M-05	12 $\pm 10\%$	5	200	100
SBT01M-09	12 $\pm 10\%$	9	111	100
SBT01M-12	12 $\pm 10\%$	12	84	100
SBT01M-15	12 $\pm 10\%$	15	67	100



To Satisfy our customers is our goal —

- High Quality
- Low Cost
- Prompt Delivery
- Best Service



Best products also need best service.

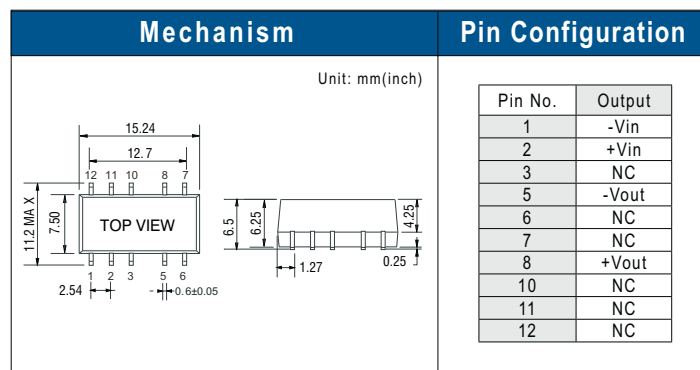
We have authorized distributors all over the world. They have sufficient stock for your prompt delivery. Also they can offer you technical support & RMA services. Please contact your local distributors for more product information. You can also contact us at info@meanwell.com for information of your local distributors.

1W DC-DC Unregulated Single and Dual Output



0.60"x 0.30"x 0.24"

- 3000VDC I/O isolation
- Internal SMD technology
- Protection: Short circuit
- Cooling by free air convection
- Non-conductive plastic case
- SMD package style
- 100% full load burn-in test
- Low cost, high reliability
- 1 year warranty



- Voltage set point accuracy $\pm 8\%$ (max.)
- Line regulation $\pm 1.2\%$ (max.) for 1% input variation
- Load regulation $\pm 8\%$ (max.)@20~100% load
- Efficiency 79% (typical)
- Short circuit protection Momentary
- Switching frequency 100kHz (typical)
- I/O isolation voltage 3000VDC (min.)
- I/O isolation resistance 100M Ω (min.)@ 500VDC
- Working temperature -40°C to +85°C
- Storage temperature -40°C to +105°C
- Temp. Coefficient $\pm 0.03\%$ / °C (max.)
- Case material non-conductive plastic
- Safety standards UL60950-1, CSA C22.2 approved

Model No.	Input (VDC)	Output (VDC)	Current (mA)	R&N (mVp-p)
SFT01L-05	5 $\pm 10\%$	5	200	100
SFT01L-09	5 $\pm 10\%$	9	111	100
SFT01L-12	5 $\pm 10\%$	12	84	100
SFT01L-15	5 $\pm 10\%$	15	67	100
SFT01M-05	12 $\pm 10\%$	5	200	100
SFT01M-09	12 $\pm 10\%$	9	111	100
SFT01M-12	12 $\pm 10\%$	12	84	100
SFT01M-15	12 $\pm 10\%$	15	67	100
Model No.	Input (VDC)	Output (VDC)	Current (mA)	R&N (mVp-p)
DET01L-05	5 $\pm 10\%$	± 5	± 100	100
DET01L-09	5 $\pm 10\%$	± 9	± 56	100
DET01L-12	5 $\pm 10\%$	± 12	± 42	100
DET01L-15	5 $\pm 10\%$	± 15	± 33	100
DET01M-05	12 $\pm 10\%$	± 5	± 100	100
DET01M-09	12 $\pm 10\%$	± 9	± 56	100
DET01M-12	12 $\pm 10\%$	± 12	± 42	100
DET01M-15	12 $\pm 10\%$	± 15	± 33	100

DC/DC Converter

1W Module Type

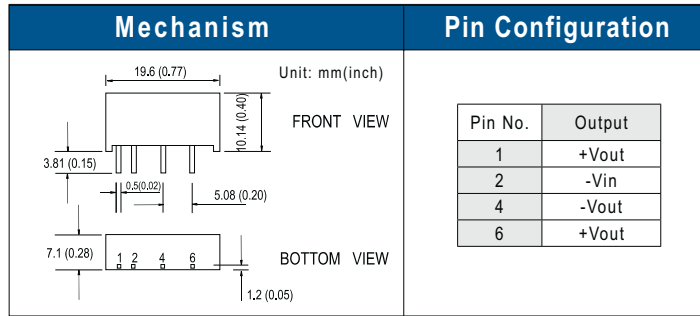


1W DC-DC Regulated Single Output



0.77"x 0.28"x 0.4"

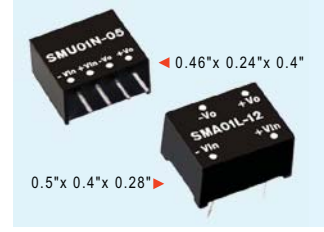
- 1000VDC I/O isolation
- Internal SMD technology
- Built-in EMI filter
- Protection: Short circuit
- Cooling by free air convection
- Non-conductive plastic case
- Single in line package
- DIP package is available
- 100% full load burn-in test
- Low cost, high reliability
- 2 years warranty



- Voltage set point accuracy ... $\pm 2\%$ (typical)
- Line regulation $\pm 0.5\%$ (max.)
- Load regulation $\pm 0.5\%$ (max.)@10~100% load
- Efficiency 80% (typical)
- Short circuit protection Continuous, auto-recovery
- Switching frequency 100kHz (min.)
- I/O isolation voltage 1000VDC (min.)
- I/O isolation resistance 100M Ω (min.)
- Isolation capacitance 80pF (max.)
- Working temperature -25°C to +60°C (no derating), +71°C@80% load
- Storage temperature -25°C to +105°C
- Temp. Coefficient $\pm 0.03\%$ / °C (max.)
- Case material non-conductive plastic
- EMI Compliance to EN55022 Class B, FCC part15 Class B

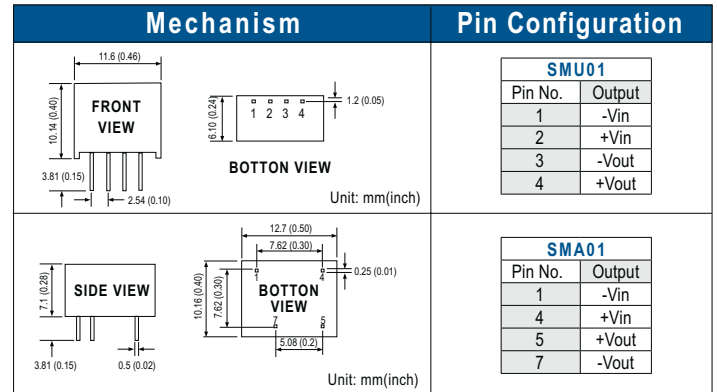
Model No.	Input (VDC)	Output (VDC)	Current (mA)	R&N (mVp-p)
SPR01L-05	5 $\pm 10\%$	5	200	100
SPR01L-09	5 $\pm 10\%$	9	100	100
SPR01L-12	5 $\pm 10\%$	12	84	100
SPR01L-15	5 $\pm 10\%$	15	67	100
SPR01M-05	12 $\pm 10\%$	5	200	100
SPR01M-09	12 $\pm 10\%$	9	100	100
SPR01M-12	12 $\pm 10\%$	12	84	100
SPR01M-15	12 $\pm 10\%$	15	67	100
SPR01N-05	24 $\pm 10\%$	5	200	100
SPR01N-09	24 $\pm 10\%$	9	100	100
SPR01N-12	24 $\pm 10\%$	12	84	100
SPR01N-15	24 $\pm 10\%$	15	67	100
SPR01O-05	48 $\pm 10\%$	5	200	100
SPR01O-09	48 $\pm 10\%$	9	100	100
SPR01O-12	48 $\pm 10\%$	12	84	100
SPR01O-15	48 $\pm 10\%$	15	67	100

1W DC-DC Unregulated Single Output



0.5"x 0.4"x 0.28"

- 1500VDC I/O isolation
- Operating temperature range -40~85°C without derating
- Internal SMD technology
- Built-in EMI filter
- Protection: Short circuit
- Cooling by free air convection
- Non-conductive plastic case
- Dual in line package for SMA01
- SIP package for SMU01
- 100% full load burn-in test
- Industry standard pinout
- 2 years warranty



- Voltage set point accuracy $\pm 2\%$ (max.)
- Line regulation $\pm 1.2\%$ (max.) for 1% input variation
- Load regulation $\pm 8\%$ (max.)@20~100% load
- Input reflected ripple 100mVp-p
- Efficiency 80% (typical)
- Short circuit protection Momentary
- Switching frequency 100kHz (min.)
- I/O isolation voltage 1500VDC (min.)
- I/O isolation resistance 100M Ω (min.)@ 500VDC
- Isolation capacitance 80pF (max.)
- Working temperature -40°C to +85°C (no derating)
- Storage temperature -25°C to +105°C
- EMI Compliance to EN55022 Class B, FCC part15 Class B

Model No.	Input (VDC)	Output (VDC)	Current (mA)	R&N (mVp-p)
SMU01L-05	5 $\pm 10\%$	5	200	100
SMU01L-09	5 $\pm 10\%$	9	110	100
SMU01L-12	5 $\pm 10\%$	12	84	100
SMU01L-15	5 $\pm 10\%$	15	67	100
SMU01M-05	12 $\pm 10\%$	5	200	100
SMU01M-09	12 $\pm 10\%$	9	110	100
SMU01M-12	12 $\pm 10\%$	12	84	100
SMU01M-15	12 $\pm 10\%$	15	67	100
SMU01N-05	24 $\pm 10\%$	5	200	100
SMU01N-09	24 $\pm 10\%$	9	110	100
SMU01N-12	24 $\pm 10\%$	12	84	100
SMU01N-15	24 $\pm 10\%$	15	67	100

Model No.	Input (VDC)	Output (VDC)	Current (mA)	R&N (mVp-p)
SMA01L-05	5 $\pm 10\%$	5	200	100
SMA01L-09	5 $\pm 10\%$	9	110	100
SMA01L-12	5 $\pm 10\%$	12	84	100
SMA01L-15	5 $\pm 10\%$	15	67	100
SMA01M-05	12 $\pm 10\%$	5	200	100
SMA01M-09	12 $\pm 10\%$	9	110	100
SMA01M-12	12 $\pm 10\%$	12	84	100
SMA01M-15	12 $\pm 10\%$	15	67	100
SMA01N-05	24 $\pm 10\%$	5	200	100
SMA01N-09	24 $\pm 10\%$	9	110	100
SMA01N-12	24 $\pm 10\%$	12	84	100
SMA01N-15	24 $\pm 10\%$	15	67	100

DC/DC Converter

2~3W Module Type

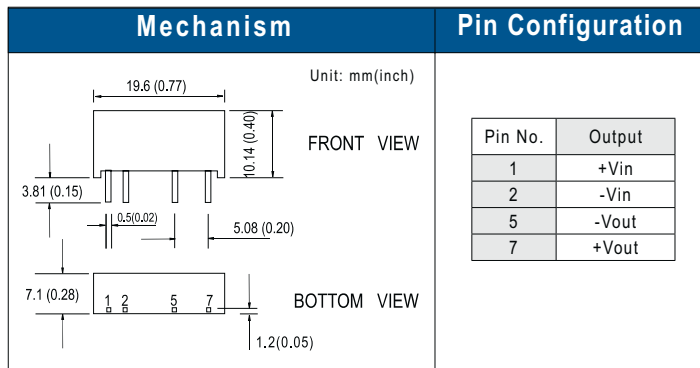


2W DC-DC Unregulated Single Output



0.77"x 0.28"x 0.4"

- 3000VDC I/O isolation
- Internal SMD technology
- Built-in EMI filter
- Protection: Short circuit
- Cooling by free air convection
- Non-conductive plastic case
- Single in line package
- 100% full load burn-in test
- Low cost, high reliability
- 2 years warranty



- Voltage set point accuracy ... $\pm 2\%$ (max.)
- Line regulation $\pm 1.2\%$ (max.) for 1% input variation
- Load regulation $\pm 8\%$ (max.)@20~100% load
- Efficiency 83% (typical)
- Short circuit protection Momentary
- Switching frequency 100kHz (min.)
- I/O isolation voltage 3000VDC (min.)
- I/O isolation resistance 100M Ω (min.)
- Isolation capacitance 80pF (max.)
- Working temperature -25°C to +60°C (no derating), +71°C@80% load
- Storage temperature -25°C to +105°C
- Temp. Coefficient $\pm 0.03\%$ / °C (max.)
- Case material non-conductive plastic
- EMI Compliance to EN55022 Class B, FCC part15 Class B

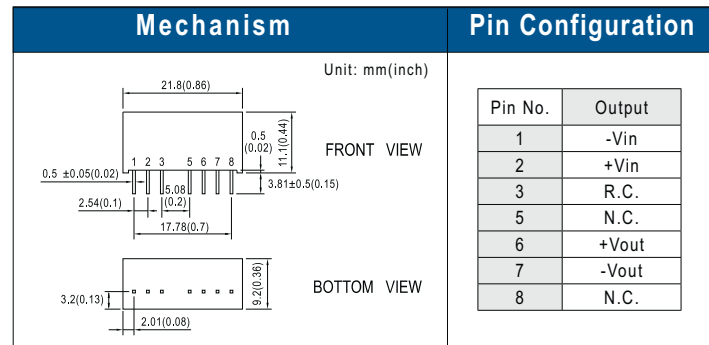
Model No.	Input (VDC)	Output (VDC)	Current (mA)	R&N (mVp-p)
SPU02L-05	5 $\pm 10\%$	5	400	100
SPU02L-12	5 $\pm 10\%$	12	167	100
SPU02L-15	5 $\pm 10\%$	15	133	100
SPU02M-05	12 $\pm 10\%$	5	400	100
SPU02M-12	12 $\pm 10\%$	12	167	100
SPU02M-15	12 $\pm 10\%$	15	133	100
SPU02N-05	24 $\pm 10\%$	5	400	100
SPU02N-12	24 $\pm 10\%$	12	167	100
SPU02N-15	24 $\pm 10\%$	15	133	100

2~3W DC-DC Regulated Single Output



0.86"x 0.36"x 0.44"

- 2:1 wide input range
- 4:1 wide input range (option) for SPA02
- 1000VDC I/O isolation
- 3000VDC I/O isolation (option) for SPA02
- Built-in remote ON/OFF control
- Built-in EMI filter
- Protection: Short circuit / Overload
- Cooling by free air convection
- Non-conductive plastic case
- Single in line package
- 100% full load burn-in test
- Modified models available: output 3.3V / 9V
- 2 years warranty



- Voltage set point accuracy $\pm 2\%$ (max.)
- Line regulation $\pm 0.5\%$ (max.)
- Load regulation $\pm 0.5\%$ (max.)@10~100% load
- Efficiency 82% (typical)
- Short circuit protection Continuous, auto-recovery
- Overload protection 150%~250%, auto-recovery
- Switching frequency 100kHz (min.)
- I/O isolation voltage 1000VDC (min.)
- I/O isolation resistance 100M Ω (min.)
- Isolation capacitance 80pF (max.)
- Working temperature -40°C to +70°C (no derating), +85°C@50% load, -25°C to +105°C
- Storage temperature -25°C to +105°C
- Temp. Coefficient $\pm 0.03\%$ / °C (max.)
- Case material non-conductive plastic
- EMI Compliance to EN55022 Class B, FCC part15 Class B

Model No.	Input (VDC)	Output (VDC)	Current (mA)	R&N (mVp-p)
SPA02E-05	4.5~9	5	400	60
SPA02E-12	4.5~9	12	150	60
SPA02E-15	4.5~9	15	120	60
SPA02A-05	9~18	5	400	60
SPA02A-12	9~18	12	167	60
SPA02A-15	9~18	15	133	60
SPA02B-05	18~36	5	400	60
SPA02B-12	18~36	12	167	60
SPA02B-15	18~36	15	133	60
SPA02C-05	36~72	5	400	60
SPA02C-12	36~72	12	167	60
SPA02C-15	36~72	15	133	60

Model No.	Input (VDC)	Output (VDC)	Current (mA)	R&N (mVp-p)
SPB03E-05	4.5~9	5	600	50
SPB03E-12	4.5~9	12	250	60
SPB03E-15	4.5~9	15	200	60
SPB03A-05	9~18	5	600	50
SPB03A-12	9~18	12	250	60
SPB03A-15	9~18	15	200	60
SPB03B-05	18~36	5	600	50
SPB03B-12	18~36	12	250	60
SPB03B-15	18~36	15	200	60
SPB03C-05	36~72	5	600	50
SPB03C-12	36~72	12	250	60
SPB03C-15	36~72	15	200	60



Who can provide you better services and be a trustworthy partner in the power industry?

— "MEAN WELL" tries to be —



Products —

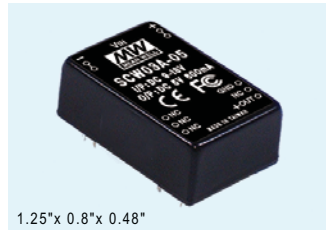
- One Stop Shopping
- Total Solution

DC/DC Converter

3~5W Module Type

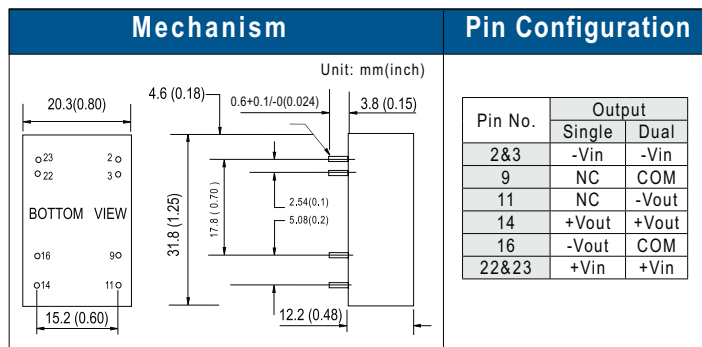


3W DC-DC Regulated Single and Dual Output



1.25"x 0.8"x 0.48"

- 2:1 wide input range
- 4:1 wide input range (option)
- 1000VDC I/O isolation
- 3000VDC I/O isolation (option)
- Built-in EMI filter
- Protection: Short circuit / Overload
- Cooling by free air convection
- Five-sided shield metal case
- 100% full load burn-in test
- Low cost, high reliability
- 2 years warranty



- Voltage set point accuracy $\pm 2\%$ (max.)
 Line regulation $\pm 0.5\%$ (max.)
 Load regulation $\pm 0.5\%$ (max.)@10~100% load
 Efficiency 82% (typical)
 Short circuit protection Continuous, auto-recovery
 Overload protection 160%~250%, auto-recovery
 I/O isolation voltage 1000VDC (min.)
 I/O isolation resistance 100M Ω (min.)@ 500VDC
 Isolation capacitance 80pF (max.)
 Working temperature -25°C to +60°C (no derating),
 +71°C@80% load
 Storage temperature -25°C to +105°C
 Temp. Coefficient $\pm 0.03\%$ / °C (max.)
 Case material Five-sided shield metal case
 EMI Compliance to EN55022 Class B,
 FCC part15 Class B

Single Output

Model No.	Input (VDC)	Output (VDC)	Current (mA)	R&N (mVp-p)
SCW03A-05	9~18	5	600	50
SCW03A-12	9~18	12	250	60
SCW03A-15	9~18	15	200	60
SCW03B-05	18~36	5	600	50
SCW03B-12	18~36	12	250	60
SCW03B-15	18~36	15	200	60
SCW03C-05	36~72	5	600	50
SCW03C-12	36~72	12	250	60
SCW03C-15	36~72	15	200	60

Dual Output

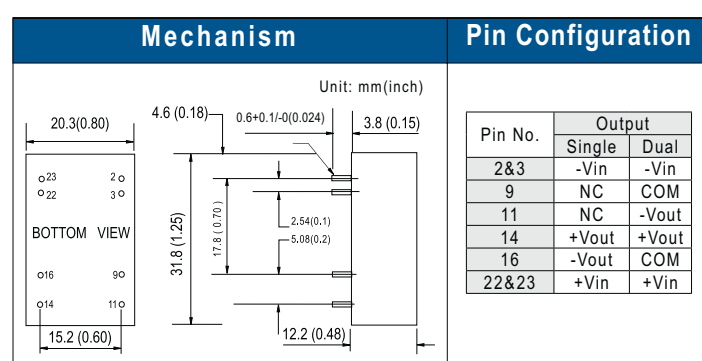
Model No.	Input (VDC)	Output (VDC)	Current (mA)	R&N (mVp-p)
DCW03A-05	9~18	± 5	± 300	50
DCW03A-12	9~18	± 12	± 125	60
DCW03A-15	9~18	± 15	± 100	60
DCW03B-05	18~36	± 5	± 300	50
DCW03B-12	18~36	± 12	± 125	60
DCW03B-15	18~36	± 15	± 100	60
DCW03C-05	36~72	± 5	± 300	50
DCW03C-12	36~72	± 12	± 125	60
DCW03C-15	36~72	± 15	± 100	60

5~6W DC-DC Regulated Single and Dual Output



1.25"x 0.8"x 0.48"

- 2:1 wide input range
- 4:1 wide input range(option)
- 1000VDC I/O isolation
- 3000VDC I/O isolation(option)
- Built-in EMI filter
- Protection: Short circuit / Overload
- Cooling by free air convection
- Five-sided shield metal case
- 100% full load burn-in test
- Low cost, high reliability
- 2 years warranty



- Voltage set point accuracy $\pm 2\%$ (max.)
 Line regulation $\pm 0.5\%$ (max.)
 Load regulation $\pm 0.5\%$ (max.)@20~100% load
 Efficiency 85% (typical)
 Short circuit protection continuous, auto-recovery
 Overload protection 150%~250%, auto-recovery
 I/O isolation voltage 1000VDC (min.)
 I/O isolation resistance 100M Ω (min.)@ 500VDC
 Isolation capacitance 80pF (max.)
 Working temperature -25°C to +60°C (no derating),
 +71°C@80% load
 Storage temperature -25°C to +105°C
 Temp. Coefficient $\pm 0.03\%$ / °C (max.)
 Case material Five-sided shield metal case
 EMI Compliance to EN55022 Class B,
 FCC part15 Class B

Single Output

Model No.	Input (VDC)	Output (VDC)	Current (mA)	R&N (mVp-p)
SCW05A-05	9~18	5	1000	50
SCW05A-09	9~18	9	556	60
SCW05A-12	9~18	12	470	60
SCW05A-15	9~18	15	400	60
SCW05B-05	18~36	5	1000	50
SCW05B-09	18~36	9	556	60
SCW05B-12	18~36	12	470	60
SCW05B-15	18~36	15	400	60
SCW05C-05	36~72	5	1000	50
SCW05C-09	36~72	9	556	60
SCW05C-12	36~72	12	470	60
SCW05C-15	36~72	15	400	60

Dual Output

Model No.	Input (VDC)	Output (VDC)	Current (mA)	R&N (mVp-p)
DCW05A-05	9~18	± 5	± 500	50
DCW05A-12	9~18	± 12	± 230	60
DCW05A-15	9~18	± 15	± 190	60
DCW05B-05	18~36	± 5	± 500	50
DCW05B-12	18~36	± 12	± 230	60
DCW05B-15	18~36	± 15	± 190	60
DCW05C-05	36~72	± 5	± 500	50
DCW05C-12	36~72	± 12	± 230	60
DCW05C-15	36~72	± 15	± 190	60

DC/DC Converter

5~8W Module Type

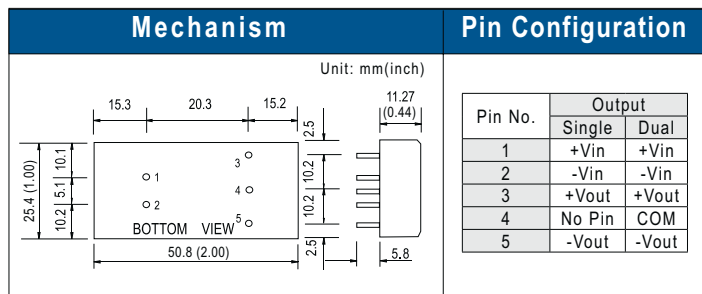


5W DC-DC Regulated Single and Dual Output



2"x 1"x 0.44"

- 2:1 wide input range
- 4:1 wide input range(option)
- 1000VDC I/O isolation
- 3000VDC I/O isolation(option)
- Built-in EMI filter
- Protection: Short circuit / Overload
- Cooling by free air convection
- Six-sided shield metal case
- 100% full load burn-in test
- Low cost, high reliability
- 2 years warranty



- Voltage set point accuracy ...±2% (max.)
 Line regulation±0.2% (max.)
 Load regulation±0.5% (max.)@10~100% load
 Efficiency 85% (typical)
 Short circuit protection continuous, auto-recovery
 Overload protection 160%~250%, auto-recovery
 I/O isolation voltage 1000VDC (min.)
 I/O isolation resistance 100MΩ (min.)@ 500VDC
 Working temperature -25°C to +60°C (no derating), +71°C@80% load
 Storage temperature -25°C to +105°C
 Temp. Coefficient ±0.03% / °C (max.)
 Case material Six-sided shield metal case
 EMI Compliance to EN55022 Class B, FCC part15 Class B

Single Output

Model No.	Input (VDC)	Output (VDC)	Current (mA)	R&N (mVp-p)
SLW05A-05	9~18	5	1000	50
SLW05A-09	9~18	9	556	60
SLW05A-12	9~18	12	417	60
SLW05A-15	9~18	15	333	60
SLW05B-05	18~36	5	1000	50
SLW05B-09	18~36	9	556	60
SLW05B-12	18~36	12	417	60
SLW05B-15	18~36	15	333	60
SLW05C-05	36~72	5	1000	50
SLW05C-09	36~72	9	556	60
SLW05C-12	36~72	12	417	60
SLW05C-15	36~72	15	333	60

Dual Output

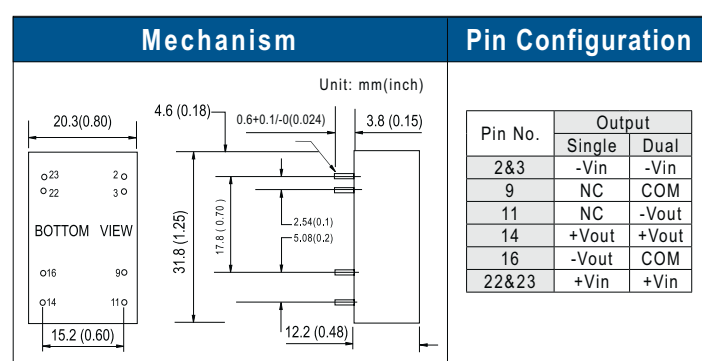
Model No.	Input (VDC)	Output (VDC)	Current (mA)	R&N (mVp-p)
DLW05A-05	9~18	±5	±500	50
DLW05A-12	9~18	±12	±208	60
DLW05A-15	9~18	±15	±167	60
DLW05B-05	18~36	±5	±500	50
DLW05B-12	18~36	±12	±208	60
DLW05B-15	18~36	±15	±167	60
DLW05C-05	36~72	±5	±500	50
DLW05C-12	36~72	±12	±208	60
DLW05C-15	36~72	±15	±167	60

8W DC-DC Regulated Single and Dual Output



1.25"x 0.8"x 0.48"

- 2:1 wide input range
- 1000VDC I/O isolation
- Built-in EMI filter
- Protection: Short circuit / Overload
- Cooling by free air convection
- Five-sided shield metal case
- 100% full load burn-in test
- Low cost, high reliability
- 2 years warranty



- Voltage set point accuracy ±2% (max.)
 Line regulation±0.5% (max.)
 Load regulation±0.5% (max.)@20~100% load
 Efficiency81% (typical)
 Short circuit protectioncontinuous, auto-recovery
 Overload protection 110%~250%, auto-recovery
 I/O isolation voltage 1000VDC (min.)
 I/O isolation resistance 100MΩ (min.)@ 500VDC
 Isolation capacitance 250pF (max.)
 Working temperature -25°C to +60°C (no derating), +71°C@80% load
 Storage temperature -25°C to +105°C
 Temp. Coefficient±0.03% / °C (max.)
 Case material Five-sided shield metal case
 EMI Compliance to EN55022 Class B, FCC part15 Class B

Single Output

Model No.	Input (VDC)	Output (VDC)	Current (mA)	R&N (mVp-p)
SCW08A-05	9~18	5	1600	50
SCW08A-12	9~18	12	670	60
SCW08A-15	9~18	15	533	60
SCW08B-05	18~36	5	1600	50
SCW08B-12	18~36	12	670	60
SCW08B-15	18~36	15	533	60
SCW08C-05	36~72	5	1600	50
SCW08C-12	36~72	12	670	60
SCW08C-15	36~72	15	533	60

Dual Output

Model No.	Input (VDC)	Output (VDC)	Current (mA)	R&N (mVp-p)
DCW08A-05	9~18	±5	±800	50
DCW08A-12	9~18	±12	±335	60
DCW08A-15	9~18	±15	±267	60
DCW08B-05	18~36	±5	±800	50
DCW08B-12	18~36	±12	±335	60
DCW08B-15	18~36	±15	±267	60
DCW08C-05	36~72	±5	±800	50
DCW08C-12	36~72	±12	±335	60
DCW08C-15	36~72	±15	±267	60

DC/DC Converter

10~12W Module Type

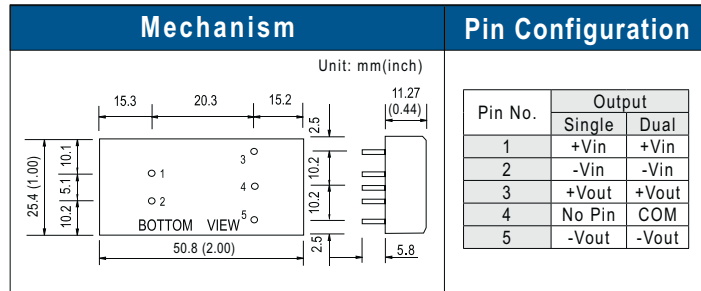


10W DC-DC Regulated Single and Dual Output



2"x 1"x 0.44"

- 2:1 wide input range
- 4:1 wide input range(option)
- 1000VDC I/O isolation
- 3000VDC I/O isolation (option)
- Built-in EMI filter
- Protection: Short circuit / Overload
- Cooling by free air convection
- Six-sided shield metal case
- 100% full load burn-in test
- Low cost, high reliability
- 2 years warranty



- Voltage set point accuracy ... $\pm 2\%$ (max.)
 Line regulation $\pm 0.3\%$ (max.)
 Load regulation $\pm 0.5\%$ (max.)@10~100% load
 Efficiency 85% (typical)
 Short circuit protection continuous, auto-recovery
 Overload protection 160%~250%, auto-recovery
 I/O isolation voltage 1000VDC (min.)
 I/O isolation resistance 100M Ω (min.)@ 500VDC
 Working temperature -25°C to +60°C (no derating), +71°C@80% load
 Storage temperature -25°C to +105°C
 Temp. Coefficient $\pm 0.03\%$ / °C (max.)
 Case material Six-sided shield metal case
 EMI Compliance to EN55022 Class B, FCC part15 Class B

Single Output

Model No.	Input (VDC)	Output (VDC)	Current (mA)	R&N (mVp-p)
SKE10A-05	9~18	5	2000	50
SKE10A-12	9~18	12	840	60
SKE10A-15	9~18	15	666	60
SKE10A-24	9~18	24	420	80
SKE10B-05	18~36	5	2000	50
SKE10B-12	18~36	12	840	60
SKE10B-15	18~36	15	666	60
SKE10B-24	18~36	24	420	80
SKE10C-05	36~72	5	2000	50
SKE10C-12	36~72	12	840	60
SKE10C-15	36~72	15	666	60
SKE10C-24	36~72	24	420	80

Dual Output

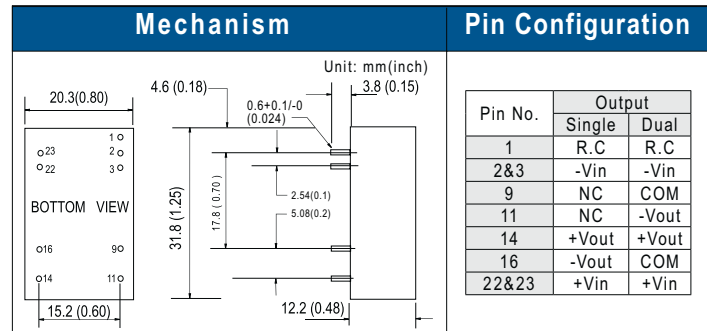
Model No.	Input (VDC)	Output (VDC)	Current (mA)	R&N (mVp-p)
DKE10A-05	9~18	± 5	± 1000	50
DKE10A-12	9~18	± 12	± 420	60
DKE10A-15	9~18	± 15	± 333	60
DKE10A-24	9~18	± 24	± 210	80
DKE10B-05	18~36	± 5	± 1000	50
DKE10B-12	18~36	± 12	± 420	60
DKE10B-15	18~36	± 15	± 333	60
DKE10B-24	18~36	± 24	± 210	80
DKE10C-05	36~72	± 5	± 1000	50
DKE10C-12	36~72	± 12	± 420	60
DKE10C-15	36~72	± 15	± 333	60
DKE10C-24	36~72	± 24	± 210	80

12W DC-DC Regulated Single and Dual Output



1.25"x 0.8"x 0.48"

- 2:1 wide input range
- 1500VDC I/O isolation
- Built-in remote ON/OFF control
- Built-in EMI filter
- Protection: Short circuit / Overload
- Cooling by free air convection
- Five-sided shield metal case
- 100% full load burn-in test
- Low cost, high reliability
- Modified models available: output 2.5V / 3.3V
- 2 years warranty



- Voltage set point accuracy ... $\pm 2\%$ (max.)
 Line regulation $\pm 0.5\%$ (max.)
 Load regulation $\pm 0.5\%$ (max.)@20~100% load
 Efficiency 83% (typical)
 Short circuit protection continuous, auto-recovery
 Overload protection 110%~180%, auto-recovery
 I/O isolation voltage 1500VDC (min.)
 I/O isolation resistance 100M Ω (min.)@ 500VDC
 Working temperature -25°C to +60°C (no derating), +71°C@60% load
 Storage temperature -25°C to +105°C
 Temp. Coefficient $\pm 0.03\%$ / °C (max.)
 Case material Five-sided shield metal case
 EMI Compliance to EN55022 Class A, FCC part15 Class A

Single Output

Model No.	Input (VDC)	Output (VDC)	Current (mA)	R&N (mVp-p)
SCW12A-05	9~18	5	2400	50
SCW12A-12	9~18	12	1000	60
SCW12A-15	9~18	15	800	60
SCW12B-05	18~36	5	2400	50
SCW12B-12	18~36	12	1000	60
SCW12B-15	18~36	15	800	60
SCW12C-05	36~72	5	2400	50
SCW12C-12	36~72	12	1000	60
SCW12C-15	36~72	15	800	60

Dual Output

Model No.	Input (VDC)	Output (VDC)	Current (mA)	R&N (mVp-p)
DCW12A-05	9~18	± 5	± 1200	50
DCW12A-12	9~18	± 12	± 500	60
DCW12A-15	9~18	± 15	± 400	60
DCW12B-05	18~36	± 5	± 1200	50
DCW12B-12	18~36	± 12	± 500	60
DCW12B-15	18~36	± 15	± 400	60
DCW12C-05	36~72	± 5	± 1200	50
DCW12C-12	36~72	± 12	± 500	60
DCW12C-15	36~72	± 15	± 400	60

DC/DC Converter

15W Module Type

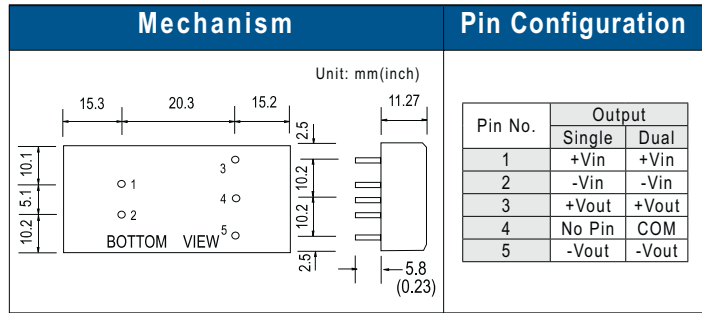


15W DC-DC Regulated Single and Dual Output



2"x 1"x 0.44"

- 2:1 wide input range
- 4:1 wide input range(option)
- 1000VDC I/O isolation
- 3000VDC I/O isolation (option)
- Built-in EMI filter
- Protection: Short circuit / Overload
- Cooling by free air convection
- Six-sided shield metal case
- 100% full load burn-in test
- Low cost, high reliability
- 2 years warranty



- Voltage set point accuracy ... $\pm 2\%$ (max.)
 Line regulation $\pm 0.2\%$ (max.)
 Load regulation $\pm 0.5\%$ (max.)@10~100% load
 Efficiency 82% (typical)
 Short circuit protection continuous, auto-recovery
 Overload protection 110%~250%, auto-recovery
 I/O isolation voltage 1000VDC (min.)
 I/O isolation resistance 100M Ω (min.)@ 500VDC
 Working temperature -25°C to +60°C (no derating), +71°C@80% load
 Storage temperature -25°C to +105°C
 Temp. Coefficient $\pm 0.03\%$ / °C (max.)
 Case material Six-sided shield metal case
 EMI Compliance to EN55022 Class B, FCC part15 Class B

✦ Single Output

Model No.	Input (VDC)	Output (VDC)	Current (mA)	R&N (mVp-p)
SKA15A-033	9~18	3.3	3000	50
SKA15A-05	9~18	5	3000	50
SKA15A-12	9~18	12	1250	60
SKA15A-15	9~18	15	1000	60
SKA15B-033	18~36	3.3	3000	50
SKA15B-05	18~36	5	3000	50
SKA15B-12	18~36	12	1250	60
SKA15B-15	18~36	15	1000	60
SKA15C-033	36~72	3.3	3000	50
SKA15C-05	36~72	5	3000	50
SKA15C-12	36~72	12	1250	60
SKA15C-15	36~72	15	1000	60

✦ Dual Output

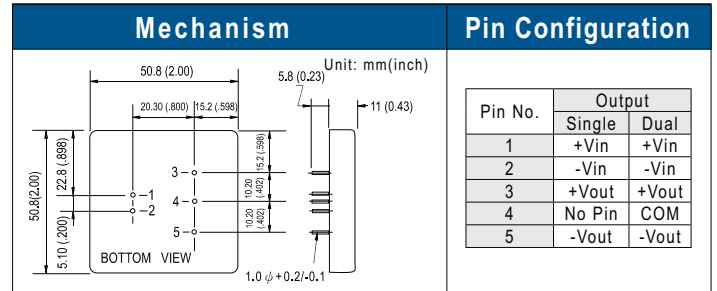
Model No.	Input (VDC)	Output (VDC)	Current (mA)	R&N (mVp-p)
DKA15A-05	9~18	± 5	± 1500	50
DKA15A-12	9~18	± 12	± 625	60
DKA15A-15	9~18	± 15	± 500	60
DKA15B-05	18~36	± 5	± 1500	50
DKA15B-12	18~36	± 12	± 625	60
DKA15B-15	18~36	± 15	± 500	60
DKA15C-05	36~72	± 5	± 1500	50
DKA15C-12	36~72	± 12	± 625	60
DKA15C-15	36~72	± 15	± 500	60

15W DC-DC Regulated Single and Dual Output



2"x 2"x 0.43"

- 2:1 wide input range
- 4:1 wide input range(option)
- 1000VDC I/O isolation
- 3000VDC I/O isolation(option)
- Built-in EMI filter
- Protections: Short circuit / Overload
- Cooling by free air convection
- Six-sided shield metal case
- 100% full load burn-in test
- Low cost, high reliability
- 2 years warranty



- Voltage set point accuracy ... $\pm 2\%$ (max.)
 Line regulation $\pm 0.3\%$ (max.)
 Load regulation $\pm 0.5\%$ (max.)@10~100% load
 Efficiency 85% (typical)
 Short circuit protection continuous, auto-recovery
 Overload protection 160%~250%, auto-recovery
 I/O isolation voltage 1000VDC (min.)
 I/O isolation resistance 100M Ω (min.)@ 500VDC
 Working temperature -25°C to +60°C (no derating), +71°C@80% load
 Storage temperature -25°C to +105°C
 Temp. Coefficient $\pm 0.03\%$ / °C (max.)
 Case material Six-sided shield metal case
 EMI Compliance to EN55022 Class B, FCC part15 Class B

✦ Single Output

Model No.	Input (VDC)	Output (VDC)	Current (mA)	R&N (mVp-p)
SKE15A-05	9~18	5	3000	50
SKE15A-12	9~18	12	1250	60
SKE15A-15	9~18	15	1000	60
SKE15A-24	9~18	24	625	80
SKE15B-05	18~36	5	3000	50
SKE15B-12	18~36	12	1250	60
SKE15B-15	18~36	15	1000	60
SKE15B-24	18~36	24	625	80
SKE15C-05	36~72	5	3000	50
SKE15C-12	36~72	12	1250	60
SKE15C-15	36~72	15	1000	60
SKE15C-24	36~72	24	625	80

✦ Dual Output

Model No.	Input (VDC)	Output (VDC)	Current (mA)	R&N (mVp-p)
DKE15A-05	9~18	± 5	± 1500	50
DKE15A-12	9~18	± 12	± 625	60
DKE15A-15	9~18	± 15	± 500	60
DKE15A-24	9~18	± 24	± 313	80
DKE15B-05	18~36	± 5	± 1500	50
DKE15B-12	18~36	± 12	± 625	60
DKE15B-15	18~36	± 15	± 500	60
DKE15B-24	18~36	± 24	± 313	80
DKE15C-05	36~72	± 5	± 1500	50
DKE15C-12	36~72	± 12	± 625	60
DKE15C-15	36~72	± 15	± 500	60
DKE15C-24	36~72	± 24	± 313	80

DC/DC Converter

25~30W Module Type



25~30W DC-DC Regulated Dual and Triple Output



2"x 2"x 0.82"

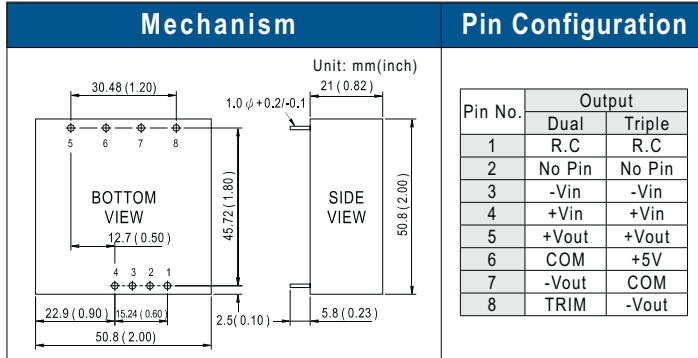
- 2:1 wide input range
- 4:1 wide input range(option)
- 1000VDC I/O isolation
- Built-in remote ON/OFF control
- Built-in EMI filter
- Trimming output ($\pm 10\%$) for dual output
- Protections: Short circuit / Overload
- Cooling by free air convection
- Six-sided shield metal case
- 100% full load burn-in test
- Low cost, high reliability
- 2 years warranty

30W DC-DC Regulated Single Output



2"x 2"x 0.63"

- 2:1 wide input range
- 1000VDC I/O isolation
- Built-in remote ON/OFF control
- Built-in EMI filter
- Trimming output ($\pm 10\%$)
- Protections: Short circuit / Overload / Over voltage
- Cooling by free air convection
- Compact size, high efficiency
- 100% full load burn-in test
- Low cost, high reliability
- 2 years warranty



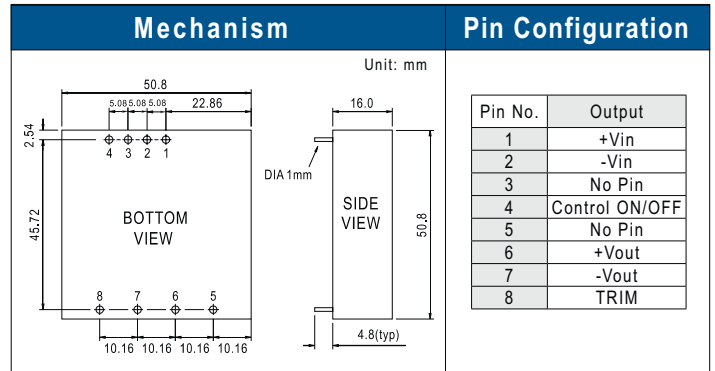
- Voltage set point accuracy $\pm 2\%$ (max.)
- Line regulation $\pm 0.5\%$ (max.) for dual output;
 $\pm 1\%$ (max.) for triple output
- Load regulation $\pm 0.5\%$ (10%~full load)(Dual)
 $\pm 5\%$ (20%~full load)(Triple)
- Efficiency 83% (typical)
- Short circuit protection continuous, auto-recovery
- Overload protection 110%~250%, auto-recovery
- I/O isolation voltage 1000VDC (min.)
- I/O isolation resistance 100M Ω (min.)@ 500VDC
- Working temperature -25°C to +71°C (no derating), +85°C@60% load
- Storage temperature -40°C to +105°C
- Temp. Coefficient $\pm 0.03\%$ / °C (max.)
- Case material Six-sided shield metal case
- EMI Compliance to EN55022 Class B, FCC part15 Class B

◆ Dual Output

Model No.	Input (VDC)	Output (VDC)	Current (mA)	R&N (mVp-p)
DKA30A-05	9~18	± 5	± 2500	100
DKA30A-12	9~18	± 12	± 1250	100
DKA30A-15	9~18	15	± 1000	100
DKA30B-05	18~36	± 5	± 2500	100
DKA30B-12	18~36	± 12	± 1250	100
DKA30B-15	18~36	± 15	± 1000	100
DKA30C-05	36~72	± 5	± 2500	100
DKA30C-12	36~72	± 12	± 1250	100
DKA30C-15	36~72	± 15	± 1000	100

◆ Triple Output

Model No.	Input (VDC)	Output (VDC)	Current (mA)	R&N (mVp-p)
TKA30A-B	9~18	+5 / ± 12	3500 / ± 310	100
TKA30A-C	9~18	+5 / ± 15	3500 / ± 250	100
TKA30B-B	18~36	+5 / ± 12	3500 / ± 310	100
TKA30B-C	18~36	+5 / ± 15	3500 / ± 250	100
TKA30C-B	36~72	+5 / ± 12	3500 / ± 310	100
TKA30C-C	36~72	+5 / ± 15	3500 / ± 250	100



- Voltage set point accuracy ... $\pm 2\%$ (max.) ($\pm 3\%$ for 3.3VDC models)
- Line regulation $\pm 1\%$ (max.)
- Load regulation $\pm 1\%$ (max.) @ 10%~full load
- Overload protection Over 105% power limiting, auto-recovery
- Over voltage protection 115%~150% rated output voltage
- Efficiency (typical) 80% for 12V input
 83% for 24V input
 85% for 48V input
- I/O isolation voltage 1000VDC(min.)
- I/O isolation resistance 100M Ω (min.) @500VDC
- Working temperature -25°C to +85°C(refer to output derating curve)
- Storage temperature -25°C to 85°C
- Safety standards Design refer to UL1950, TUV EN60950
- Case Material Six-sided shield metal case
- EMI Compliance to EN55022 class B
- Packing 0.1kg ; 150pcs / 15.8kg / 0.97CUFT

Model No.	Input (VDC)	Output (VDC)	Current (A)	R&N (mVp-p)
SDM30-12S3	9~18	3.3	5.0	75
SDM30-12S5	9~18	5	5.0	75
SDM30-12S12	9~18	12	2.1	100
SDM30-12S15	9~18	15	1.7	100
SDM30-24S3	18~36	3.3	5.0	75
SDM30-24S5	18~36	5	5.0	75
SDM30-24S12	18~36	12	2.5	100
SDM30-24S15	18~36	15	2.0	100
SDM30-48S3	36~72	3.3	5.0	75
SDM30-48S5	36~72	5	5.0	75
SDM30-48S12	36~72	12	2.5	100
SDM30-48S15	36~72	15	2.0	100



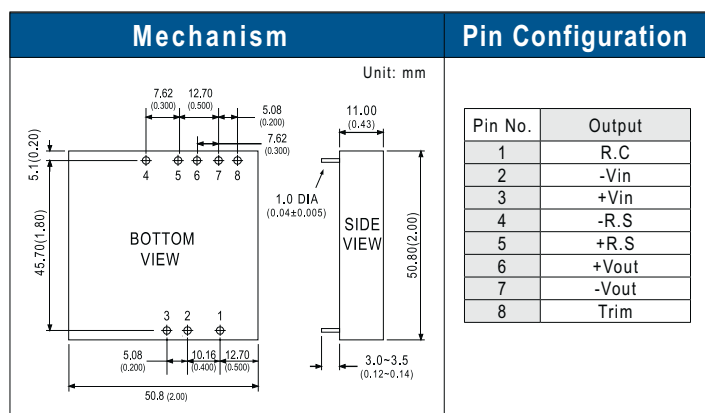
DC/DC Converter

40W DC-DC Regulated Single Output



2"x 2"x 0.43"

- 2:1 wide input range
- 1500VDC I/O isolation
- High efficiency up to 92%
- Built-in remote ON/OFF control
- Built-in remote sense
- Built-in EMI filter
- Trimming output ($\pm 10\%$)
- Protections: Short circuit / Overload / Over voltage
- Cooling by free air convection
- Compact size
- 100% full load burn-in test
- Low cost, high reliability
- Output 3.3V / 9V models available
- 2 years warranty



- Voltage set point accuracy ... $\pm 2\%$ (max.)
- Line regulation $\pm 0.5\%$ (max.)
- Load regulation $\pm 0.5\%$ (max.) @10%~full load
- Overload protection 110%~180%, auto-recovery
- Over voltage protection Clamp by TVS Diode
- Efficiency 92% (typical)
- I/O isolation voltage 1500VDC(min.)
- I/O isolation resistance 100M Ω (min.) @500VDC
- Working temperature -40°C to +80°C(refer to output derating curve)
- Storage temperature -25°C to 85°C
- Case Material Six-sided shield metal case
- EMI Compliance to EN55022 class A, FCC part15 classA

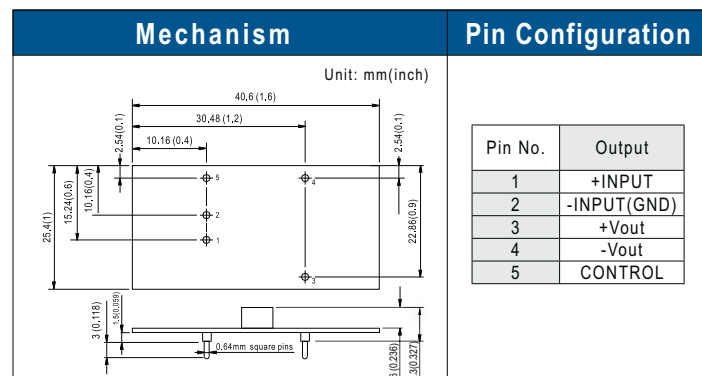
Model No.	Input (VDC)	Output (VDC)	Current (A)	R&N (mVp-p)
SKA40A-05	9~18	5	7.00	60
SKA40A-12	9~18	12	3.33	80
SKA40A-15	9~18	15	2.67	100
SKA40B-05	18~36	5	7.00	60
SKA40B-12	18~36	12	3.33	80
SKA40B-15	18~36	15	2.67	100
SKA40C-05	36~75	5	7.00	60
SKA40C-12	36~75	12	3.33	80
SKA40C-15	36~75	15	2.67	100

5W DC-DC Regulated Single Output



1.6"x 1"x 0.327"

- 4:1 wide input range
- 1000VDC I/O isolation
- Built-in EMI filter
- Protections: Short circuit / Overload / Over voltage
- Built-in remote ON/OFF control
- Cooling by free air convection
- 100% full load burn-in test
- Low cost, high reliability
- 2 years warranty



- Voltage set point accuracy ... $\pm 2.0\%$ (max.)
- Line regulation $\pm 1.0\%$ (max.)
- Load regulation $\pm 1\sim 2\%$ (max.)@10%~full load
- Efficiency 85% (typical)
- Short circuit protection continuous, auto-recovery
- Overload protection over 105% power limiting, auto-recovery
- I/O isolation voltage 1000VDC
- I/O isolation resistance 100M Ω (min.)@ 500VDC, 25°C 70% RH
- Working temperature -25°C to +70°C (refer to output derating curve)
- Storage temperature -40°C to +85°C
- Temp. Coefficient $\pm 0.03\%$ / °C (0~60°C)
- Safety standards IEC60950-1 CB approved by TUV
- EMC standards EN55022 Class B, EN61000-4-2,3,4,5,6,8
- Packing 0.007kg ; 700pcs / 5.9kg / 0.97CUFT

Model No.	Input (VDC)	Output (VDC)	Current (mA)	R&N (mVp-p)
NSD05-12S3	9.2~36	3.3	1200	75
NSD05-12S5	9.2~36	5	1000	75
NSD05-12S12	9.2~36	12	420	75
NSD05-12S15	9.2~36	15	330	75
NSD05-48S3	18~72	3.3	1200	75
NSD05-48S5	18~72	5	1000	75
NSD05-48S12	18~72	12	420	75
NSD05-48S15	18~72	15	330	75

We provide specification, drawing, test report and more information, please visit our website — <http://www.meanwell.com>

48hrs delivery—
We keep enough stock for 95% of standard models at our 2400m² warehouse. We can arrange prompt delivery within 48hrs.

DC/DC Converter

10~15W On Board Type

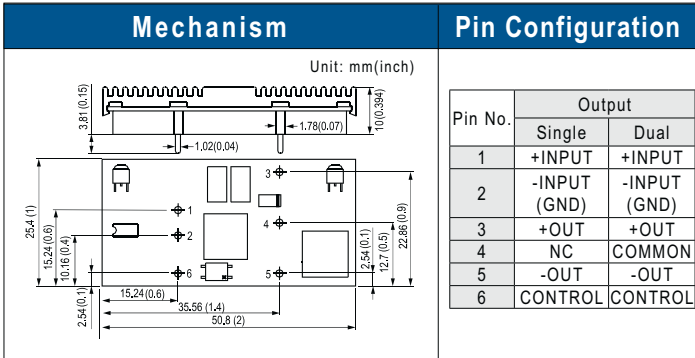


10W DC-DC Regulated Single and Dual Output



2"x 1"x 0.394"

- 4:1 wide input range
- 1000VDC I/O isolation
- Protections: Short circuit / Overload / Over voltage
- Built-in EMI filter
- Built-in remote ON/OFF control
- Cooling by free air convection
- 100% full load burn-in test
- Low cost, high reliability
- 2 years warranty



- Voltage set point accuracy ±2% (max.)
 Line regulation ±1% @10%~full load
 Load regulation ±1~±3% @10%~full load
 Efficiency 80% (typical)
 Short circuit protection continuous, auto-recovery
 Over voltage protection clamp@115~150%
 Shutdown idle current 20mA
 I/O isolation voltage 1000VDC
 I/O isolation resistance 100MΩ (min.) @500VDC
 Working temperature -25~+70°C
 Storage temperature -40~+85°C
 Temp. coefficient ±0.03% / °C(0~60°C)
 Safety standards UL60950-1 approved
 EMC standards EN55022 Class B, EN61000-4-2,3,4,6,8
 Packing 0.02kg ; 300pcs / 7.0kg / 0.97CUFT

♦ Single Output

Model No.	Input (VDC)	Output (VDC)	Current (mA)	R&N (mVp-p)
NSD10-12S3	9.8~36	3.3	2500	75
NSD10-12S5	9.8~36	5	2000	75
NSD10-12S9	9.8~36	9	1100	75
NSD10-12S12	9.8~36	12	830	75
NSD10-12S15	9.8~36	15	670	75
NSD10-48S3	22~72	3.3	2500	75
NSD10-48S5	22~72	5	2000	75
NSD10-48S9	22~72	9	1100	75
NSD10-48S12	22~72	12	830	75
NSD10-48S15	22~72	15	670	75

♦ Dual Output

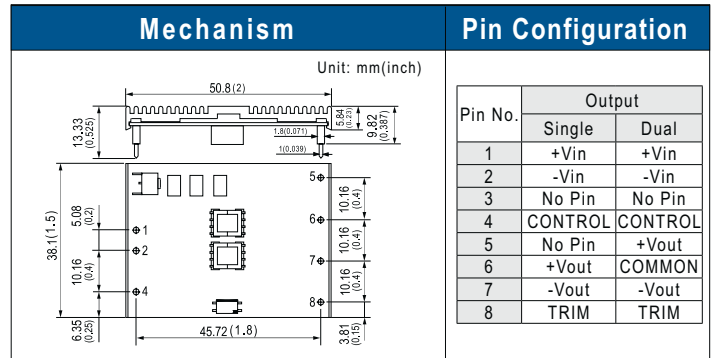
Model No.	Input (VDC)	Output (VDC)	Current (mA)	R&N (mVp-p)
NSD10-12D5	9.8~36	±5	±50~1000	75
NSD10-12D12	9.8~36	±12	±20~420	75
NSD10-12D15	9.8~36	±15	±16~330	75
NSD10-48D5	22~72	±5	±50~1000	75
NSD10-48D12	22~72	±12	±20~420	75
NSD10-48D15	22~72	±15	±16~330	75

15W DC-DC Regulated Single and Dual Output



2"x 1.5"x 0.387"

- 4:1 wide input range
- 1500VDC I/O isolation
- Protections: Short circuit / Overload / Over voltage
- Built-in EMI filter
- Output voltage trimming function
- Built-in remote ON/OFF control
- Cooling by free air convection
- 100% full load burn-in test
- Low cost, high reliability
- 2 years warranty



- Voltage set point accuracy ±2% (max.)
 Line regulation ±1% @10%~full load
 Load regulation ±1~±3% @10%~full load
 Efficiency 85% (typical)
 Short circuit protection continuous, auto-recovery
 Over voltage protection clamp@115~150%
 Shutdown idle current 20mA
 I/O isolation voltage 1500VDC
 I/O isolation resistance 100MΩ (min.) @500VDC
 Working temperature -25~+70°C
 Storage temperature -40~+85°C
 Temp. coefficient ±0.03% / °C(0~50°C)
 Safety standards UL60950-1 approved
 EMC standards EN55022 Class B, EN61000-4-2,3,4,6,8
 Packing 0.03kg ; 180pcs / 6.4kg / 0.97CUFT

♦ Single Output

Model No.	Input (VDC)	Output (VDC)	Current (mA)	R&N (mVp-p)
NSD15-12S3	9.4~36	3.3	3750	100
NSD15-12S5	9.4~36	5	3000	75
NSD15-12S12	9.4~36	12	1250	75
NSD15-12S15	9.4~36	15	1000	75
NSD15-48S3	18~72	3.3	3750	100
NSD15-48S5	18~72	5	3000	75
NSD15-48S12	18~72	12	1250	75
NSD15-48S15	18~72	15	1000	75

♦ Dual Output

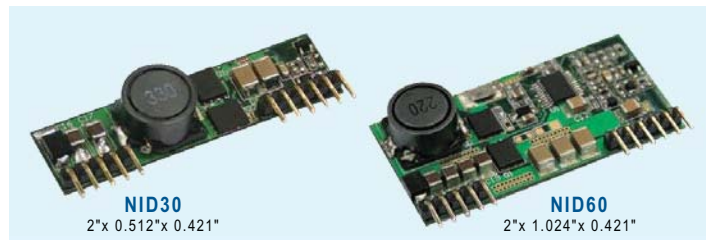
Model No.	Input (VDC)	Output (VDC)	Current (mA)	R&N (mVp-p)
NSD15-12D5	9.4~36	±5	±70~1500	100
NSD15-12D12	9.4~36	±12	±30~620	100
NSD15-12D15	9.4~36	±15	±20~500	100
NSD15-48D5	18~72	±5	±70~1500	100
NSD15-48D12	18~72	±12	±30~620	100
NSD15-48D15	18~72	±15	±20~500	100



DC/DC Converter

12.5~60W Single Output Non-isolated DC-DC Converter

- Non-isolated, fix-frequency at 250kHz
- 3:1 wide input range for 5~15V output
- $\pm 2\%$ output voltage accuracy
- **High efficiency up to 96%**
- Built-in remote ON/OFF control
- Compact size
- Cooling by free air convection
- **Economical open frame design**
- Protections: Short circuit / Overload / Over voltage
- 2 years warranty



◆ NID30 Series

Mechanism		Pin Configuration													
<p>Unit: mm(inch)</p>		<table border="1"> <thead> <tr> <th>Pin No.</th> <th>Output</th> </tr> </thead> <tbody> <tr> <td>1, 2, 3, 4</td> <td>+Vout</td> </tr> <tr> <td>5, 6</td> <td>COM</td> </tr> <tr> <td>7, 8</td> <td>+Vin</td> </tr> <tr> <td>9, 10</td> <td>N.C.</td> </tr> <tr> <td>11</td> <td>R.C.</td> </tr> </tbody> </table>		Pin No.	Output	1, 2, 3, 4	+Vout	5, 6	COM	7, 8	+Vin	9, 10	N.C.	11	R.C.
Pin No.	Output														
1, 2, 3, 4	+Vout														
5, 6	COM														
7, 8	+Vin														
9, 10	N.C.														
11	R.C.														

◆ NID60 Series

Mechanism		Pin Configuration													
<p>Unit: mm(inch)</p>		<table border="1"> <thead> <tr> <th>Pin No.</th> <th>Output</th> </tr> </thead> <tbody> <tr> <td>1, 2, 3, 4</td> <td>+Vout</td> </tr> <tr> <td>5, 6</td> <td>COM</td> </tr> <tr> <td>7, 8</td> <td>+Vin</td> </tr> <tr> <td>9, 10</td> <td>N.C.</td> </tr> <tr> <td>11</td> <td>R.C.</td> </tr> </tbody> </table>		Pin No.	Output	1, 2, 3, 4	+Vout	5, 6	COM	7, 8	+Vin	9, 10	N.C.	11	R.C.
Pin No.	Output														
1, 2, 3, 4	+Vout														
5, 6	COM														
7, 8	+Vin														
9, 10	N.C.														
11	R.C.														

- Voltage set point accuracy $\pm 2\%$ (max.)
- Line regulation $\pm 0.5\%$
- Load regulation $\pm 0.5\%$ @ 10~100% load
- Efficiency 96% (typical)
- Short circuit protection Continuous, auto-recovery
- Overload protection 120%~300%, auto-recovery
- Over voltage protection Clamp by TVS Diode
- Working temperature -25~+65°C (refer to derating curve)
- Storage temperature -25~+105°C
- Temp. coefficient $\pm 0.03\%$ / °C(0~50°C)

◆ NID30 Series

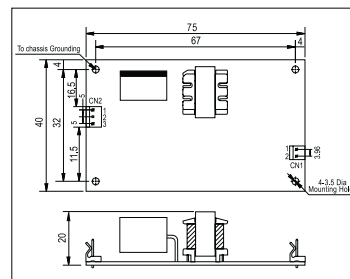
Model No.	Input	Output	R&N	Effi
NID30S24-05	20~53V	5V, 0~2.50A	100mV	91%
NID30S24-12	20~53V	12V, 0~2.50A	120mV	95%
NID30S24-15	20~53V	15V, 0~2.00A	150mV	96%
NID30S48-24	30~53V	24V, 0~1.25A	200mV	93%

◆ NID60 Series

Model No.	Input	Output	R&N	Effi
NID60S24-05	20~53V	5V, 0~4.0A	100mV	90%
NID60S24-12	20~53V	12V, 0~4.0A	120mV	95%
NID60S24-15	20~53V	15V, 0~4.0A	150mV	96%
NID60S48-24	30~53V	24V, 0~2.5A	200mV	95%

5W Single Output DC-DC Converter

- 2:1 wide input range
- 2000VAC I/O isolation
- Protections: Short circuit / Overload / Over voltage / Over temp.
- Built-in EMI filter, low ripple noise
- 100% full load burn-in test
- Low cost, high reliability
- 2 years warranty

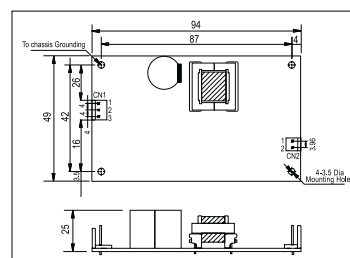


- Line and load regulation ... $\pm 1.0\%$ (max.)
- Overload protection >105% fold back current limiting, auto-recovery
- Over voltage protection 115%~135% rated output voltage
- Withstand voltage I/P-O/P: 2kVAC, I/P-FG: 1.5kVAC, 1 minute
- Isolation resistance 100M Ω (min.) @500VDC
- Working temperature -10°C to +60°C (refer to output derating curve)
- Safety standards Meet LVD
- EMC standards EN55022 class B, EN61000-4-2,3,4,6,8, ENV50204
- Connection 3P, 2P / 3.96mm pitch, Molex 5285-03, 5273-02
- Packing 0.05kg ; 120pcs / 6.25kg / 1.0CUFT

Model No.	Input	Output	R&N	Effi.
PSD-05-5	36~72V	5V, 0~1.0A	50mV	75%
PSD-05-12	36~72V	12V, 0~0.45A	100mV	78%
PSD-05-24	36~72V	24V, 0~0.22A	150mV	78%

15W Single Output DC-DC Converter

- 2:1 wide input range
- 2000VAC I/O isolation
- Protections: Short circuit / Overload / Over voltage / Over temp.
- Built-in EMI filter, low ripple noise
- 100% full load burn-in test
- Low cost, high reliability
- 2 years warranty



- Line and load regulation $\pm 1.0\%$ (max.)
- Overload protection 105%~150% hiccup mode, auto-recovery
- Over voltage protection 115%~135% rated output voltage
- Withstand voltage I/P-O/P: 2kVAC, I/P-FG: 1.5kVAC, 1 minute
- Isolation resistance 100M Ω (min.) @500VDC
- Working temperature -10°C to +60°C (refer to output derating curve)
- Safety standards Meet LVD
- EMC standards EN55022 class B, EN61000-4-2,3,4,6,8, ENV50204
- Connection 3P, 2P / 3.96mm pitch, JST B3P/B2P-VH
- Packing 0.081kg ; 120pcs / 10.72kg

Model No.	Input	Output	R&N	Effi.
PSD-15A-5	9.2~18V	5V, 0~3.0A	50mV	74%
PSD-15A-12	9.2~18V	12V, 0~1.25A	100mV	67%
PSD-15A-24	9.2~18V	24V, 0~0.6A	100mV	72%
PSD-15B-5	18~36V	5V, 0~3.0A	50mV	78%
PSD-15B-12	18~36V	12V, 0~1.25A	100mV	78%
PSD-15B-24	18~36V	24V, 0~0.6A	100mV	78%
PSD-15C-5	36~72V	5V, 0~3.0A	50mV	78%
PSD-15C-12	36~72V	12V, 0~1.25A	100mV	78%
PSD-15C-24	36~72V	24V, 0~0.6A	100mV	79%



DC/DC Converter

30W Single Output DC-DC Converter



101.6x 50.8x 30 mm

- 2:1 wide input range
- Protections: Short circuit / Overload / Over voltage / Reverse polarity
- 1500VAC I/O isolation
- Cooling by free air convection
- Built-in EMI filter, low ripple noise
- 100% full load burn-in test
- Low cost, high reliability
- 2 years warranty

DC adjustment range 5V: 4.5~5.5V, 12V: 11~13.5V, 24V: 22~26V
 Line and load regulation .. ±1% (max.)
 Overload protection 105%~150% fold back current limiting, auto-recovery
 Over voltage protection ... 115%~135% rated output voltage
 Withstand voltage I/P-O/P: 1.5kVAC, I/P-FG: 1.5kVAC, 1 minute
 Working temperature -20~55°C (refer to output derating curve)
 EMC standards EN55022 class B, EN61000-4-2,3,4,6,8, EN55024
 Connection 3P, 4P / 3.96mm pitch, JST B3P/B4P-VH-B

Model No.	Input	Output	R&N	Effi.
PSD-30A-05	9~18V	5V, 0~5.0A	100mV	77%
PSD-30A-12	9~18V	12V, 0~2.5A	120mV	77%
PSD-30A-24	9~18V	24V, 0~1.25A	150mV	78%
PSD-30B-05	18~36V	5V, 0~5.0A	100mV	79%
PSD-30B-12	18~36V	12V, 0~2.5A	120mV	80%
PSD-30B-24	18~36V	24V, 0~1.25A	150mV	83%
PSD-30C-05	36~72V	5V, 0~5.0A	100mV	80%
PSD-30C-12	36~72V	12V, 0~2.5A	120mV	82%
PSD-30C-24	36~72V	24V, 0~1.25A	150mV	83%

45W Single Output DC-DC Converter



127x 76x 30 mm

- 2:1 wide input range
- Protections: Short circuit / Overload / Over voltage / Reverse polarity
- Cooling by free air convection
- Built-in EMI filter, low ripple noise
- 100% full load burn-in test
- Fixed switching frequency at 96kHz
- Low cost
- 2 years warranty

DC adjustment range 5V: 4.5~5.5V, 12V: 10.8~13.2V, 24V: 21.6~26.4V
 Line and load regulation ±1% (max.)
 Overload protection 105%~160% shut down, re-power on to recover
 Over voltage protection 115%~135% rated output voltage
 Withstand voltage I/P-O/P: 1.5kVAC, I/P-FG: 1.5kVAC, 1 minute
 Working temperature -10~60°C (refer to output derating curve)
 Safety standards EN60950-1 CB approved by TUV
 EMC standards EN55022 class B, EN61000-4-2,3,4,6,8, EN55024
 Connection 2P, 6P / 3.96mm pitch, Molex 5277-02, 5273-06
 Packing 0.19kg ; 72pcs / 15.6kg / 1.35CUFT

Model No.	Input	Output	R&N	Effi.
PSD-45A-05	9.2~18V	5V, 0~6.0A	100mV	74%
PSD-45A-12	9.2~18V	12V, 0~2.5A	120mV	79%
PSD-45A-24	9.2~18V	24V, 0~1.25A	150mV	80%
PSD-45B-05	18~36V	5V, 0~9.0A	100mV	77%
PSD-45B-12	18~36V	12V, 0~3.75A	120mV	82%
PSD-45B-24	18~36V	24V, 0~1.875A	150mV	85%
PSD-45C-05	37~72V	5V, 0~9.0A	100mV	80%
PSD-45C-12	37~72V	12V, 0~3.75A	120mV	83%
PSD-45C-24	37~72V	24V, 0~1.875A	150mV	86%

15W Single Output DC-DC Converter



CASE: 931

78x 51x 28 mm

- 2:1 wide input range
- 2000VAC I/O isolation
- Cooling by free air convection
- Protections: Short circuit / Over load / Over voltage
- Built-in EMI filter, low ripple noise
- 100% full load burn-in test
- Low cost, high reliability
- 2 years warranty

DC adjustment range 5V: 4.75~5.5V, 12V: 10.8~13.2V, 24V: 21.6~26.4V
 Line and load regulation ±0.5% (max.)
 Overload protection 105%~160% hiccup mode, auto-recovery
 Over voltage protection 115%~135% rated output voltage
 Withstand voltage I/P-O/P: 2kVAC, I/P-FG: 1.5kVAC, 1 minute
 Working temperature 0~40°C@100%, -10°C@80%, 60°C@60% load
 Safety standard Meet LVD
 EMC standards EN55022 class B, EN61000-4-2,3,4,6,8, ENV50204
 Packing 0.18kg ; 60pcs / 11.8kg

Model No.	Input	Output	R&N	Effi.
SD-15A-5	9.2~18V	5V, 0~3.0A	100mV	68%
SD-15A-12	9.2~18V	12V, 0~1.25A	120mV	72%
SD-15A-24	9.2~18V	24V, 0~0.625A	150mV	70%
SD-15B-5	18~36V	5V, 0~3.0A	100mV	76%
SD-15B-12	18~36V	12V, 0~1.25A	120mV	76%
SD-15B-24	18~36V	24V, 0~0.625A	150mV	77%
SD-15C-5	36~72V	5V, 0~3.0A	100mV	75%
SD-15C-12	36~72V	12V, 0~1.25A	120mV	79%
SD-15C-24	36~72V	24V, 0~0.625A	150mV	78%

25W Single Output DC-DC Converter



CASE: 905

99x 97x 36 mm

- 2:1 wide input range
- 1500VAC I/O isolation
- Protections: Short circuit / Overload / Over voltage
- Built-in EMI filter, low ripple noise
- 100% full load burn-in test
- Low cost, high reliability
- 2 years warranty

DC adjustment range 5V: 4.5~5.5V, 12V: 11~16V, 24V: 23~30V
 Line and load regulation ±0.5% (max.)
 Overload protection 105%~150% fold back current limiting, auto-recovery
 Over voltage protection 115%~165% rated output voltage
 Withstand voltage I/P-O/P: 2kVAC, I/P-FG: 1.5kVAC, 1 minute
 Isolation resistance 100MΩ (min.) @500VDC
 Working temperature -10°C to +60°C (refer to output derating curve)
 Safety standards Meet LVD
 EMC standards EN55022 class B, EN61000-4-2,3,4,6,8, ENV50204
 Packing 0.38kg ; 45pcs / 17.8kg / 0.9CUFT

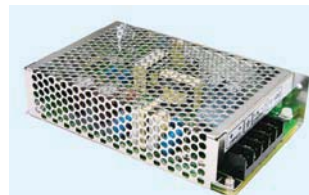
Model No.	Input	Output	R&N	Effi.
SD-25A-5	9.2~18V	5V, 0~5.0A	100mV	71%
SD-25A-12	9.2~18V	12V, 0~2.1A	120mV	72%
SD-25A-24	9.2~18V	24V, 0~1.1A	150mV	75%
SD-25B-5	19~36V	5V, 0~5.0A	100mV	72%
SD-25B-12	19~36V	12V, 0~2.1A	120mV	75%
SD-25B-24	19~36V	24V, 0~1.1A	150mV	78%
SD-25C-5	36~72V	5V, 0~5.0A	100mV	74%
SD-25C-12	36~72V	12V, 0~2.1A	120mV	78%
SD-25C-24	36~72V	24V, 0~1.1A	150mV	81%

DC/DC Converter

50~200W Enclosed Single Output



50W Single Output DC-DC Converter



CASE: 901 159x 97x 38 mm

- 2:1 wide input range
- 1500VAC I/O isolation
- Protections: Short circuit / Over load / Over voltage
- Built-in EMI filter, low ripple noise
- Cooling by free air convection
- 100% full load burn-in test
- Low cost, high reliability
- 2 years warranty

DC adjustment range 5V: 4.5~5.5V, 12V: 11~16V, 24V: 23~30V
 Line and load regulation ±0.5% (max.)
 Overload protection 105%~150% fold back current limiting, auto-recovery
 Over voltage protection 115%~165% rated output voltage
 Withstand voltage I/P-O/P: 1.5kVAC, I/P-FG: 1.5kVAC, 1 minute
 Isolation resistance 100MΩ (min.) @500VDC
 Working temperature -10°C to +60°C (refer to output derating curve)
 Safety standard Meet LVD
 EMC standards EN55022 class B, EN61000-4-2,3,4,6,8, ENV50204
 Packing 0.53kg ; 24pcs / 12.7kg / 0.75CUFT

Model No.	Input	Output	R&N	Effi.
SD-50A-5	9.2~18V	5V, 0~10A	100mV	70%
SD-50A-12	9.2~18V	12V, 0~4.2A	120mV	72%
SD-50A-24	9.2~18V	24V, 0~2.1A	150mV	74%
SD-50B-5	19~36V	5V, 0~10A	100mV	73%
SD-50B-12	19~36V	12V, 0~4.2A	120mV	75%
SD-50B-24	19~36V	24V, 0~2.1A	150mV	80%
SD-50C-5	36~72V	5V, 0~10A	100mV	76%
SD-50C-12	36~72V	12V, 0~4.2A	120mV	78%
SD-50C-24	36~72V	24V, 0~2.1A	150mV	83%

150W Single Output DC-DC Converter



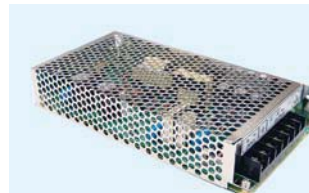
CASE: 906 199x 110x 50 mm

- 2:1 wide input range
- 1500VAC I/O isolation
- Protections: Short circuit / Over load / Over voltage
- Built-in EMI filter, low ripple noise
- Cooling by free air convection
- 100% full load burn-in test
- Low cost, high reliability
- 2 years warranty

DC adjustment range 12V: 11~16V, 24V: 23~30V
 Line regulation ±0.5% (max.)
 Load regulation ±0.5% (max.)
 Overload protection 105%~135% fold back current limiting, auto-recovery
 Over voltage protection 130%~165% rated output voltage
 Withstand voltage I/P-O/P: 1.5kVAC, I/P-FG: 1.5kVAC, 1 minute
 Isolation resistance 100MΩ (min.) @500VDC
 Working temperature -10°C ~ +60°C (refer to output derating curve)
 Safety standards Meet LVD, EN60950-1 CB approved by TUV (D type only)
 EMC standards EN55022 class B, EN61000-4-2,3,4,6,8, ENV50204
 Packing 0.86kg ; 16pcs / 14.5kg / 0.95CUFT

Model No.	Input	Output	R&N	Effi.
SD-150B-12	19~36V	12V, 0~12.5A	120mV	75%
SD-150B-24	19~36V	24V, 0~6.3A	150mV	77%
SD-150C-12	36~72V	12V, 0~12.5A	120mV	77%
SD-150C-24	36~72V	24V, 0~6.3A	150mV	80%
SD-150D-12	72~144V	12V, 0~12.5A	120mV	79%
SD-150D-24	72~144V	24V, 0~6.3A	150mV	82%

100W Single Output DC-DC Converter



CASE: 902 199x 98x 38 mm

- 2:1 wide input range
- 1500VAC I/O isolation
- Protections: Short circuit / Overload / Over voltage
- Built-in EMI filter, low ripple noise
- 100% full load burn-in test
- Low cost, high reliability
- 2 years warranty

DC adjustment range 5V: 4.5~5.5V, 12V: 11~16V, 24V: 23~30V
 Line regulation ±0.5% (max.)
 Load regulation ±0.5% (max.)
 Overload protection 105%~135% fold back current limiting, auto-recovery
 Over voltage protection 115%~165% rated output voltage
 Withstand voltage I/P-O/P: 1.5kVAC, I/P-FG: 1.5kVAC, 1 minute
 Isolation resistance 100MΩ (min.) @500VDC
 Working temperature -10°C to +60°C (refer to output derating curve)
 Safety standards Meet LVD, EN60950-1 CB approved by TUV (D type only)
 EMC standards EN55022 class B, EN61000-4-2,3,4,6,8, ENV50204
 Packing 0.65kg ; 20pcs / 13.8kg / 0.8CUFT

Model No.	Input	Output	R&N	Effi.
SD-100B-5	19~36V	5V, 0~20A	100mV	74%
SD-100B-12	19~36V	12V, 0~8.5A	120mV	75%
SD-100B-24	19~36V	24V, 0~4.2A	150mV	78%
SD-100C-5	36~72V	5V, 0~20A	100mV	75%
SD-100C-12	36~72V	12V, 0~8.5A	120mV	77%
SD-100C-24	36~72V	24V, 0~4.2A	150mV	81%
SD-100D-5	72~144V	5V, 0~20A	100mV	76%
SD-100D-12	72~144V	12V, 0~8.5A	120mV	80%
SD-100D-24	72~144V	24V, 0~4.2A	150mV	83%

200W Single Output DC-DC Converter



CASE: 912B 215x 115x 50 mm

- 2:1 wide input range
- 1500VAC I/O isolation
- Protections: Short circuit / Overload / Over voltage / Over temp.
- Cooling by free air convection
- 100% full load burn-in test
- 2 years warranty

DC adjustment range 5V: 4.5~5.5V, 12V: 11~16V, 24V: 23~30V, 48V: 43~53V
 Voltage tolerance ±2% (max.)
 Overload protection 105%~135% shut off, re-power on to recover
 Over voltage protection 110%~167% rated output voltage
 Withstand voltage I/P-O/P: 1.5kVAC, I/P-FG: 1.5kVAC, 1 minute
 Working temperature -20°C to +60°C (refer to output derating curve)
 Safety standards Meet LVD, EN60950-1 CB approved by TUV (D type only)
 EMC standards EN55022 class B, EN61000-4-2,3,4,6,8, ENV50204
 Packing 1.1kg ; 12pcs / 14.4kg / 0.92CUFT

Model No.	Input	Output	R&N	Effi.
SD-200B-5	19~36V	5V, 0~34.0A	100mV	79%
SD-200B-12	19~36V	12V, 0~16.7A	120mV	82%
SD-200B-24	19~36V	24V, 0~8.40A	150mV	85%
SD-200B-48	19~36V	48V, 0~4.20A	200mV	86%
SD-200C-5	36~72V	5V, 0~40.0A	100mV	81%
SD-200C-12	36~72V	12V, 0~16.7A	120mV	84%
SD-200C-24	36~72V	24V, 0~8.40A	150mV	86%
SD-200C-48	36~72V	48V, 0~4.20A	200mV	86%
SD-200D-5	72~144V	5V, 0~40.0A	100mV	82%
SD-200D-12	72~144V	12V, 0~16.7A	120mV	82%
SD-200D-24	72~144V	24V, 0~8.40A	150mV	84%
SD-200D-48	72~144V	48V, 0~4.20A	200mV	90%

DC/DC Converter

100~1000W Enclosed Single Output



350W Single Output DC-DC Converter



CASE: 912A 215x 115x 50 mm

- 2:1 wide input range
- 1500VAC I/O isolation
- Protections: Short circuit / Over load / Over voltage / Over temp.
- Forced air cooling by built-in DC fan
- 100% full load burn-in test
- 2 years warranty

DC adjustment range 5V: 4.5~5.5V, 12V: 11~16V, 24V: 23~30V, 48V: 43~53V
 Voltage tolerance ±2% (max.)
 Overload protection 105%~135% shut off, re-power on to recover
 Over voltage protection .. 110%~167% rated output voltage
 Withstand voltage I/P-O/P: 1.5kVAC, I/P-FG: 1.5kVAC, 1 minute
 Working temperature -20°C ~ +60°C (refer to output derating curve)
 Safety standards Meet LVD, EN60950-1 CB approved by TUV (D type only)
 EMC standards EN55022 class B, EN61000-4-2,3,4,6,8, ENV50204
 Packing 1.1kg ; 12pcs / 14.4kg / 0.92CUFT

Model No.	Input	Output	R&N	Effi.
SD-350B-5	19~36V	5V, 0~57.0A	100mV	74%
SD-350B-12	19~36V	12V, 0~27.5A	120mV	80%
SD-350B-24	19~36V	24V, 0~14.6A	150mV	80%
SD-350B-48	19~36V	48V, 0~7.30A	200mV	84%
SD-350C-5	36~72V	5V, 0~60.0A	100mV	76%
SD-350C-12	36~72V	12V, 0~27.5A	120mV	81%
SD-350C-24	36~72V	24V, 0~14.6A	150mV	81%
SD-350C-48	36~72V	48V, 0~7.30A	200mV	82%
SD-350D-5	72~144V	5V, 0~60.0A	100mV	78%
SD-350D-12	72~144V	12V, 0~29.2A	120mV	83%
SD-350D-24	72~144V	24V, 0~14.6A	150mV	87%
SD-350D-48	72~144V	48V, 0~7.30A	200mV	89%

500W Single Output DC-DC Converter



CASE: 912A 215x 115x 50 mm

- 4:1 & 2:1 DC input range
- DC input active surge current limiting
- Protections: Short circuit / Overload / Over voltage / Over temp. / Input polarity
- 2000VAC I/O Isolation
- Forced air cooling by built-in DC fan with fan speed control function
- Output OK signal
- Built-in remote ON-OFF control
- Built-in remote sense function
- 3 years warranty

DC adjustment range 12V: 11~15V, 24V: 23~30V, 48V: 46~60V
 Line regulation ±0.5% (max.)
 Load regulation ±0.5% (max.)
 Overload protection 105%~125% constant current limiting, shut off after 5 sec., AC recycle to re-start
 Over voltage protection 130%~160% rated output voltage
 Withstand voltage I/P-O/P: 2kV, I/P-FG: 1.5kV, 1 minute
 Isolation resistance 100MΩ (min.) @500VDC
 Working temperature -20°C ~ +60°C (refer to output derating curve)
 Safety standards IEC60950-1 CB approved by TUV
 EMC standards EN55022 class B, EN61000-4-2,3,4,6,8, ENV50204
 Packing 1.15kg ; 12pcs / 14.8kg / 0.92CUFT

Model No.	Input	Output	R&N	Effi.
SD-500L-12	19~72V	12V, 0~40A	150mV	86%
SD-500L-24	19~72V	24V, 0~21A	150mV	88%
SD-500L-48	19~72V	48V, 0~10.5A	150mV	89%
SD-500H-12	72~144V	12V, 0~40A	150mV	87%
SD-500H-24	72~144V	24V, 0~21A	150mV	89%
SD-500H-48	72~144V	48V, 0~10.5A	150mV	90%

1000W Single Output DC-DC Converter



CASE: 952B 295x 127x 41 mm

- 4:1 & 2:1 wide input range
- 2000VAC I/O Isolation
- Protections: Short circuit / Overload / Over voltage / Over temp.
- Forced air cooling by built-in DC fan
- High power density 10.7W/inch³
- 1U low profile 41mm
- Output OK signal
- 12V / 0.25A auxiliary output
- Built-in remote ON/OFF control
- Built-in remote sense function
- 3 years warranty

DC adjustment range 12V: 11~15V, 24V: 23~30V, 48V: 46~60V
 Line regulation ±0.5% (max.)
 Load regulation ±0.5% (max.)
 Overload protection 105%~125% constant current limiting, shut off after 5 sec., AC recycle to re-start
 Over voltage protection 130%~160% rated output voltage
 Withstand voltage I/P-O/P: 2kV, I/P-FG: 1.5kV, 1 minute
 Isolation resistance 100MΩ (min.) @500VDC
 Working temperature -20°C ~ +60°C (refer to output derating curve)
 Safety standards IEC60950-1 CB approved by TUV
 EMC standards EN55022 class B, EN61000-4-2,3,4,6,8, ENV50204
 Packing 1.94kg ; 6pcs / 12.6kg / 0.99CUFT

Model No.	Input	Output	R&N	Effi.
SD-1000L-12	19~72V	12V, 0~60A	150mV	84%
SD-1000L-24	19~72V	24V, 0~40A	150mV	88%
SD-1000L-48	19~72V	48V, 0~21A	150mV	90%
SD-1000H-12	72~144V	12V, 0~60A	150mV	85%
SD-1000H-24	72~144V	24V, 0~40A	150mV	89%
SD-1000H-48	72~144V	48V, 0~21A	150mV	92%

100W Railway Single Output DC-DC Converter

CE pending



159x 68x 36 mm

- Comply with EN50155 railway certificate
- 2:1 wide input range
- Protections: Short circuit / Overload / Over voltage / Over temp. / Input polarity
- 4000VDC I/O isolation
- Cooling by free air convection
- Built-in constant current limiting circuit
- 1U low profile 36mm
- All using 105°C long life electrolytic capacitors
- 100% full load burn-in test
- 3 years warranty

DC adjustment range 5V: 4.75~6.25V, 12V: 11.4~15V, 24V: 22.8~30V
 Line regulation ±0.5% (max.)
 Load regulation ±1% (max.)
 Overload protection 105%~135% constant current limiting, recovers automatically after fault condition is removed
 Over voltage protection 130%~150% Shut down o/p voltage, re-power on to recover
 Withstand voltage I/P-O/P: 4kVDC, I/P-FG: 2.5kVDC, O/P-FG: 2.5kVDC
 Isolation resistance 100MΩ (min.) @500VDC
 Working temperature -40°C ~ +70°C (refer to output derating curve)
 Safety standards Design refer to UL60950-1, TUV EN60950-1, EN50155
 EMC standards Design refer to EN55022 class B, EN50121-3-2, EN61000-4-2,3,4,6,8; ENV50204

Model No.	Input	Output	R&N	Effi.
RSD-100B	14.4~33.6V	5V, 0~20A	100mV	89%
		12V, 0~8.4A	120mV	89%
		24V, 0~4.2A	150mV	89%
RSD-100C	28.8~67.2V	5V, 0~20A	100mV	90%
		12V, 0~8.4A	120mV	91%
		24V, 0~4.2A	150mV	91%
RSD-100D	57.6~154V	5V, 0~20A	100mV	90%
		12V, 0~8.4A	120mV	91%
		24V, 0~4.2A	150mV	91%

❖ For DC/DC converters, derating may be needed under low input voltage, please check the specification sheet for details.

DC/AC Inverter

100~2500W Modified Sine Wave



Features

- High frequency design
- Input protections: Reverse polarity / Over and under voltage / Battery low alarm and shutdown
- Output protections: Short circuit / Overload / Over temp.
- With power ON/OFF switch and LED indicator
- Built-in remote ON/OFF control for 1000~2500W (optional)
- Built-in USB interface and without fan for 100W
- Input and output fully isolation
- Low power consumption (standby)
- LVD meet EN60950-1 and e13 mark
- EMC meet EN61000-4-2,3, EN55022
- 1 year warranty

Output Socket (option)

			◀Please consult Mean Well for other kinds of optional output socket.
TYPE-2	TYPE-3	TYPE-4	
USA	EUROPE	UNIVERSAL	

General Specification (Please refer to www.meanwell.com for detail spec.)



Model Name	A301	A302
DC input rated voltage	12.5VDC	25.0VDC
AC output voltage / Frequency	110VAC(rms) / 60Hz or 230VAC(rms) / 50Hz	
Max. output power	100W, 150W, 300W, 600W, 1000W, 1500W, 2500W	
USB output power	5Vdc / 500mA (100W only)	
AC output regulation	±10% of rated output voltage	
Bat. low alarm	10±0.5VDC	20.5±1.0VDC
Bat. low shut down	9.5±0.5VDC	19.5±1.0VDC
I/P over voltage protection	15~17VDC	30~32VDC
Working temperature	0~30°C (0~25°C for 2500W)	
LVD	Compliance to EN60950-1	
EMC	Compliance to EN55014-1, EN61000-3-2,3, EN61000-4-2,3	

100W

Model Name	Continue power	Input VDC	Output VAC / Hz	Output socket	Effi.
A301-100-F3	100W	10-15	230 / 50	TYPE-3	90%
A302-100-F3	100W	21-30	230 / 50	TYPE-3	90%

150W

Model Name	Continue power	Input VDC	Output VAC / Hz	Output socket	Effi.
A301-150-B2	150W	10-15	110 / 60	TYPE-2	78%
A301-150-F3	150W	10-15	230 / 50	TYPE-3	78%
A302-150-B2	150W	21-30	110 / 60	TYPE-2	82%
A302-150-F3	150W	21-30	230 / 50	TYPE-3	82%

300W

Model Name	Continue power	Input VDC	Output VAC / Hz	Output socket	Effi.
A301-300-B2	300W	10-15	110 / 60	TYPE-2	82%
A301-300-F3	300W	10-15	230 / 50	TYPE-3	82%
A302-300-B2	300W	21-30	110 / 60	TYPE-2	85%
A302-300-F3	300W	21-30	230 / 50	TYPE-3	85%

600W

Model Name	Continue power	Input VDC	Output VAC / Hz	Output socket	Effi.
A301-600-B2	600W	10-15	110 / 60	TYPE-2	82%
A301-600-F3	600W	10-15	230 / 50	TYPE-3	82%
A302-600-B2	600W	21-30	110 / 60	TYPE-2	85%
A302-600-F3	600W	21-30	230 / 50	TYPE-3	85%

1000W

Model Name	Continue power	Input VDC	Output VAC / Hz	Output socket	Effi.
A301-1K0-B2	1000W	10-15	110 / 60	TYPE-2	82%
A301-1K0-F3	1000W	10-15	230 / 50	TYPE-3	82%
A302-1K0-B2	1000W	21-30	110 / 60	TYPE-2	85%
A302-1K0-F3	1000W	21-30	230 / 50	TYPE-3	85%

1500W

Model Name	Continue power	Input VDC	Output VAC / Hz	Output socket	Effi.
A301-1K7-B2	1500W	10-15	110 / 60	TYPE-2	82%
A301-1K7-F3	1500W	10-15	230 / 50	TYPE-3	82%
A302-1K7-B2	1500W	21-30	110 / 60	TYPE-2	85%
A302-1K7-F3	1500W	21-30	230 / 50	TYPE-3	85%

2500W

Model Name	Continue power	Input VDC	Output VAC / Hz	Output socket	Effi.
A301-2K5-B4	2500W	10-15	110 / 60	TYPE-4	82%
A301-2K5-F3	2500W	10-15	230 / 50	TYPE-3	82%
A302-2K5-B4	2500W	21-30	110 / 60	TYPE-4	85%
A302-2K5-F3	2500W	21-30	230 / 50	TYPE-3	85%

DC/AC Inverter

200~700W True Sine Wave



Features

- True sine wave output (THD<3%)
- 2 times high surge power for motor related application
- Advanced digital control by microprocessor
- Output voltage / frequency adjustable
- High efficiency up to 91%
- Conformal coating for TS-700
- Standby saving mode to conserve energy (TS-700)
- Built-in fan ON/OFF control function (TS-400/700)
- Fanless design, cooling by free air convection (TS-200)
- Front panel indicator for load / battery / operation status
- High frequency design
- Input protections:
Bat. low alarm / Bat. low shutdown / reverse polarity / over voltage
- Output protections:
Short circuit / Overload / Over temperature
- Applications:
Home appliance, power tools, office and portable equipment, vehicle and yacht...etc.
- 3 years warranty



General Specification (Please refer to www.meanwell.com for detail spec.)

Model Name	TS-200	TS-400	TS-700
Rated output power	200W	400W	700W
Maximum output power	230W for 3 minutes; 300W for 10 sec.	460W for 3 minutes; 600W for 10 sec.	800W for 3 minutes; 1050W for 10 sec.
Output surge rating (30 cycles.)	400W	800W	1400W
DC input rated voltage	12VDC, 24VDC or 48VDC		
AC output voltage	100 / 110 / 115 / 120VAC; 200 / 220 / 230 / 240VAC selectable by setting button		
Output frequency	50Hz / 60Hz selectable by setting button		
AC output waveform	True sine wave, THD<3.0%		
AC output regulation	±3% of rated output voltage		
No load dissipation	≤15W		≤ 6W @ standby saving mode
Working temperature	-10~+35°C@100% load (112/124/148), -10~+40°C@100% load (212/224/248); 60°C@50% load	-10~+40°C@100% load, 60°C@50% load	0~+40°C@100% load, 60°C@50% load
Safety standards	110V	Design refer to UL458	
	230V	Compliance to EN60950-1	
EMC standards	110V	Compliance to FCC class A	
	230V	Compliance to EN55022 class A, E-Mark, EN61000-4-2,3,8, ENV50204	

200W

Model Name	Continue power	Input VDC	Output VAC / Hz	Output socket	Effi.
TS-200-112[A]	200W	10.5-15	110 / 60	TYPE-A	86.0%
TS-200-124[A]	200W	21.0-30	110 / 60	TYPE-A	87.5%
TS-200-148[A]	200W	42.0-60	110 / 60	TYPE-A	88.0%
TS-200-212[B]	200W	10.5-15	230 / 50	TYPE-B	86.0%
TS-200-224[B]	200W	21.0-30	230 / 50	TYPE-B	87.5%
TS-200-248[B]	200W	42.0-60	230 / 50	TYPE-B	88.0%

□ = A, B (standard model), C, D, E or F (optional model)

400W

Model Name	Continue power	Input VDC	Output VAC / Hz	Output socket	Effi.
TS-400-112[A]	400W	10.5-15	110 / 60	TYPE-A	84.5%
TS-400-124[A]	400W	21.0-30	110 / 60	TYPE-A	86.0%
TS-400-148[A]	400W	42.0-60	110 / 60	TYPE-A	87.0%
TS-400-212[B]	400W	10.5-15	230 / 50	TYPE-B	86.0%
TS-400-224[B]	400W	21.0-30	230 / 50	TYPE-B	87.5%
TS-400-248[B]	400W	42.0-60	230 / 50	TYPE-B	88.5%

□ = A, B (standard model), C, D, E or F (optional model)

700W

Model Name	Continue power	Input VDC	Output VAC / Hz	Output socket	Effi.
TS-700-112[A]	700W	10.5-15	110 / 60	TYPE-A	86%
TS-700-124[A]	700W	21.0-30	110 / 60	TYPE-A	88%
TS-700-148[A]	700W	42.0-60	110 / 60	TYPE-A	89%
TS-700-212[B]	700W	10.5-15	230 / 50	TYPE-B	89%
TS-700-224[B]	700W	21.0-30	230 / 50	TYPE-B	90%
TS-700-248[B]	700W	42.0-60	230 / 50	TYPE-B	91%

□ = A, B (standard model), C, D, E or F (optional model)

AC Output Receptacle (optional for TN/TS series)

TYPE-A	TYPE-B	TYPE-C	TYPE-D	TYPE-E	TYPE-F
USA	Europe	Australia	U.K.	Japan	GFCI

▲ Please consult Mean Well for other kinds of optional output socket.

DC/AC Inverter

1000~3000W True Sine Wave





TS-1000
345x 184x 70 mm



TS-1500
420x 220x 88 mm



TS-3000
466.8x 283.5x 100 mm

NEW

Inverter Remote Control



▲ **IRC1**



▲ **IRC2**

75x 55x 21 mm

Description:
IRC1/IRC2 is the monitoring and control unit used for the inverter series. It can decode the RS-232 signal sent by inverter series and display through digital meters. IRC1/IRC2 can also turn ON/OFF of inverter remotely that make the basic control more easily.

Features

- True sine wave output (THD<3%)
- 2 times high surge power for motor related application
- Advanced digital control by microprocessor
- High efficiency up to 92%
- Conformal coating
- Standby saving mode to conserve energy
- Built-in fan ON/OFF control function
- Output voltage / frequency adjustable
- Front panel indicator for load / battery / operation status
- High frequency design
- Input protections:
Bat. low alarm / Bat. low shutdown / reverse polarity / over voltage
- Output protections:
Short circuit / Overload / Over temperature
- Applications:
Home appliance, power tools, office and portable equipment, vehicle and yacht...etc.
- 3 years warranty



General Specification (Please refer to www.meanwell.com for detail spec.)

Model Name	TS-1000	TS-1500	TS-3000 NEW
Rated output power	1000W	1500W	3000W
Maximum output power	1150W for 3 minutes; 1500W for 10 sec.	1725W for 3 minutes ; 2250W for 10 sec.	3450W for 3 minutes ; 4500W for 10 sec.
Output surge rating (30 cycles.)	2000W	3000W	6000W
DC input rated voltage	12VDC, 24VDC or 48VDC		
AC output voltage	100 / 110 / 115 / 120VAC or 200 / 220 / 230 / 240VAC selectable by setting button		
Output frequency	50Hz/60Hz selectable by setting button		
AC output waveform	True sine wave, THD<3.0%		
AC output regulation	±3% of rated output voltage		
No load dissipation	≤6W @ standby saving mode	≤18W @ standby saving mode	≤10W @ standby saving mode
Working temperature	0 ~ +40°C @ 100% load, 60°C @ 50% load		
Safety standards	110V	Compliance to UL458 (except for 48V and only for GFCI receptacle)	
	230V	Compliance to EN60950-1	
EMC standards	110V	Compliance to FCC class A	
	230V	Compliance to EN55022 class A (class B for TS-1500), E-Mark, EN61000-4-2,3,8, ENV50204	

1000W

Model Name	Continue power	Input VDC	Output VAC / Hz	Output socket	Effi.
TS-1000-112 A	1000W	10.5-15	110 / 60	TYPE-A	88%
TS-1000-124 A	1000W	21.0-30	110 / 60	TYPE-A	89%
TS-1000-148 A	1000W	42.0-60	110 / 60	TYPE-A	90%
TS-1000-212 B	1000W	10.5-15	230 / 50	TYPE-B	90%
TS-1000-224 B	1000W	21.0-30	230 / 50	TYPE-B	91%
TS-1000-248 B	1000W	42.0-60	230 / 50	TYPE-B	92%

□ = A, B (standard model), C, D, E or F (optional model)

3000W

Model Name	Continue power	Input VDC	Output VAC / Hz	Output socket	Effi.
TS-3000-112 A	3000W	10.5-15	110 / 60	TYPE-A	88%
TS-3000-124 A	3000W	21.0-30	110 / 60	TYPE-A	90%
TS-3000-148 A	3000W	42.0-60	110 / 60	TYPE-A	91%
TS-3000-212 B	3000W	10.5-15	230 / 50	TYPE-B	89%
TS-3000-224 B	3000W	21.0-30	230 / 50	TYPE-B	91%
TS-3000-248 B	3000W	42.0-60	230 / 50	TYPE-B	92%

□ = A, B (standard model), C, D, E or F (optional model)

1500W

Model Name	Continue power	Input VDC	Output VAC / Hz	Output socket	Effi.
TS-1500-112 A	1500W	10.5-15	110 / 60	TYPE-A	87%
TS-1500-124 A	1500W	21.0-30	110 / 60	TYPE-A	89%
TS-1500-148 A	1500W	42.0-60	110 / 60	TYPE-A	90%
TS-1500-212 B	1500W	10.5-15	230 / 50	TYPE-B	88%
TS-1500-224 B	1500W	21.0-30	230 / 50	TYPE-B	90%
TS-1500-248 B	1500W	42.0-60	230 / 50	TYPE-B	91%

□ = A, B (standard model), C, D, E or F (optional model)

► Features (IRC1 & IRC2)

- Wall-mounted and control panel assembly acceptable
- Built-in ON/OFF button
- LED indicators for remote ON/OFF, abnormal and power saving mode
- Equipped with 10FT cable, optional for 25FT or 50FT
- Connect directly to the remote socket of inverter; no power supply needed
- Suitable series:
IRC1: TS-700 / 1000 / 1500 / 3000 , TN-1500 / 3000
IRC2: TS-700 / 1000 / 1500 / 3000
- 3 years warranty

DC/AC Inverter

1500~3000W Solar Charger Inverter



TN-1500
420x 220x 88 mm

TN-3000
466.8x 283.5x 100 mm

NEW

Inverter Remote Control

NEW

Description:
IRC3 is the monitoring and control unit used for the inverter series. It can decode the RS-232 signal sent by inverter series and display through digital meters. IRC3 can also turn ON/OFF of inverter remotely that make the basic control more easily.

▲ IRC3
75x 55x 21 mm

Features

- True sine wave output (THD<3%)
- **2 times high surge power for motor related application**
- Advanced digital control by microprocessor
- High efficiency up to 92%
- **Conformal coating**
- Standby saving mode to conserve energy
- Built-in fan ON/OFF control function
- Output voltage / frequency adjustable
- Front panel indicator for load / battery / operation status
- High frequency design
- **Selectable UPS and energy saving mode**
- **AC by pass, built-in AC and solar charger**
- Fast transfer time under 10ms
- Solar input current up to 30A max.
- Input protections:
Bat. low alarm / Bat. low shutdown / reverse polarity / over voltage

- Output protections:
Short circuit / Overload / Over temperature / AC circuit breaker
- **Optional monitoring software**
- Applications:
Home appliance, power tools, office and portable equipment, vehicle and yacht...etc.
- 3 years warranty

► Features (IRC3)

- Wall-mounted and control panel assembly acceptable
- Built-in ON/OFF button
- LED indicators for remote ON/OFF, abnormal and power saving mode
- Equipped with 10FT cable, optional for 25FT or 50FTT
- Connect directly to the remote socket of inverter;
no power supply needed
- Suitable series: TN-1500 / 3000
- 3 years warranty

General Specification (Please refer to www.meanwell.com for detail spec.)



Model Name	TN-1500	TN-3000 NEW
Rated output power	1500W	3000W
Maximum output power	1725W for 3 minutes ; 2250W for 10 seconds	3450W for 3 minutes ; 4500W for 10 seconds
Output surge rating (30 cycles.)	3000W	6000W
DC input rated voltage	12VDC, 24VDC or 48VDC	
AC output voltage	100 / 110 / 115 / 120VAC or 200 / 220 / 230 / 240VAC selectable by setting button	
Output frequency	50Hz/60Hz selectable by setting button	
AC output waveform	True sine wave, THD<3.0%	
AC output regulation	±3% of rated output voltage	
No load dissipation (Typ.)	≤18W @ standby saving mode	≤10W @ standby saving mode
Transfer time (Typ.)	≤10ms inverter mode ↔ by pass mode	
Working temperature	0 ~ +40°C @ 100% load, 60°C @ 50% load	
Safety standards	110V	Compliance to UL458 (except for 48V and only for GFCI receptacle)
	230V	Compliance to EN60950-1
EMC standards	110V	Compliance to FCC class A
	230V	Compliance to EN55022 class A (class B for TN-1500), E-Mark, EN61000-4-2,3,4,5,6,8,11, ENV50204

1500W (Inverter with AC & Solar Charger)

Model Name	Continue power	Input VDC	Output VAC / Hz	Output socket	Effi.
TN-1500-112[A]	1500W	10.5-15	110 / 60	TYPE-A	87%
TN-1500-124[A]	1500W	21.0-30	110 / 60	TYPE-A	89%
TN-1500-148[A]	1500W	42.0-60	110 / 60	TYPE-A	90%
TN-1500-212[B]	1500W	10.5-15	230 / 50	TYPE-B	88%
TN-1500-224[B]	1500W	21.0-30	230 / 50	TYPE-B	90%
TN-1500-248[B]	1500W	42.0-60	230 / 50	TYPE-B	91%

□ = A, B (standard model), C, D, E or F (optional model)

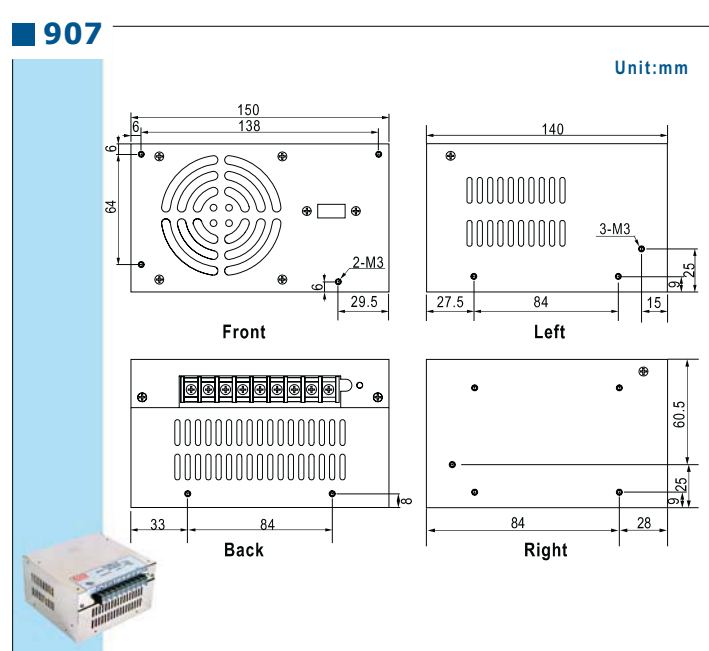
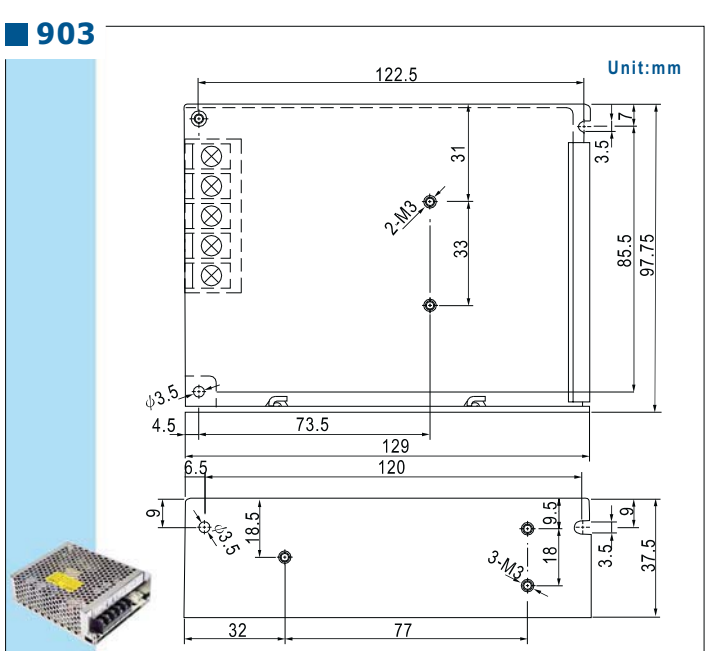
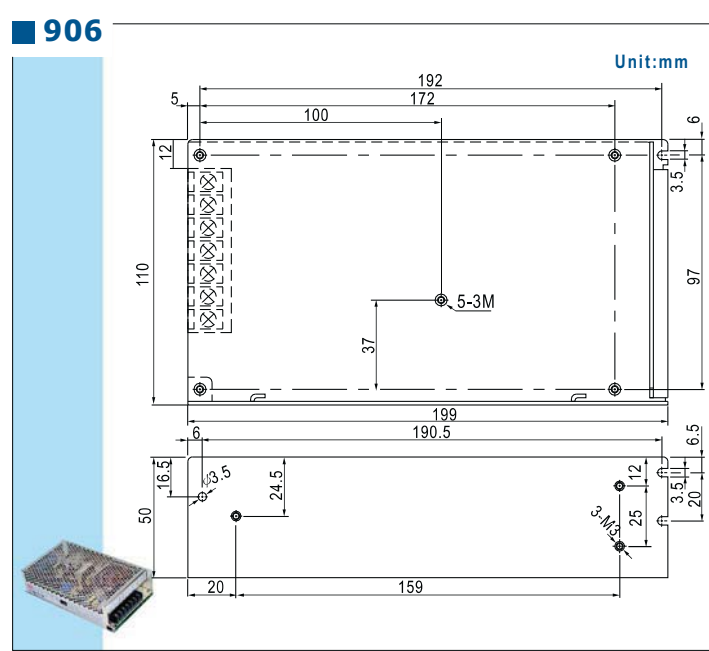
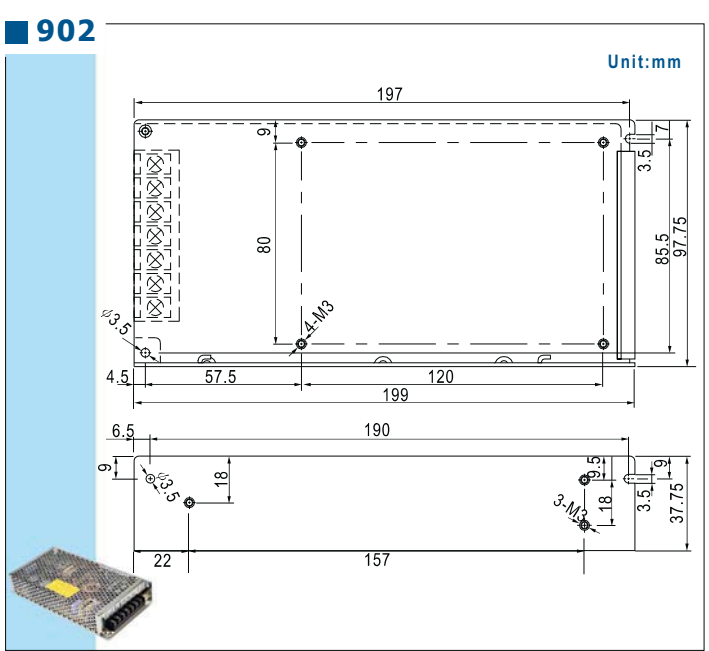
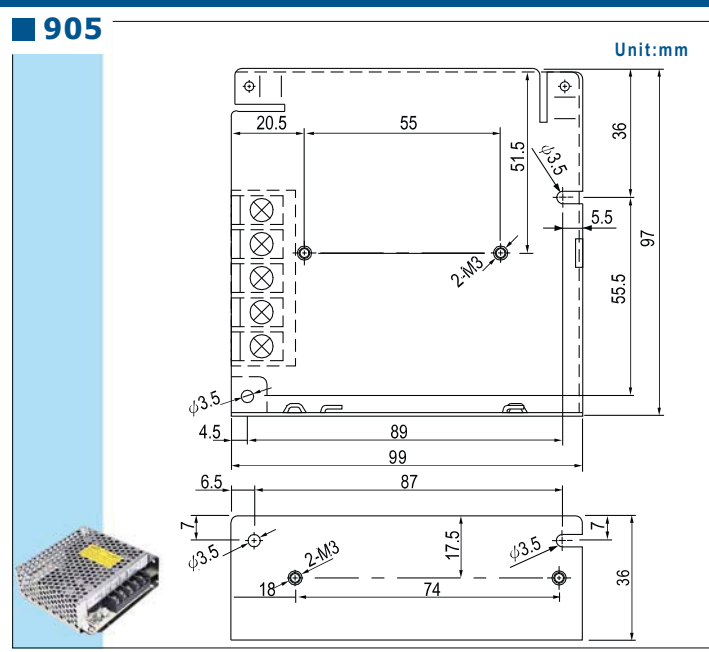
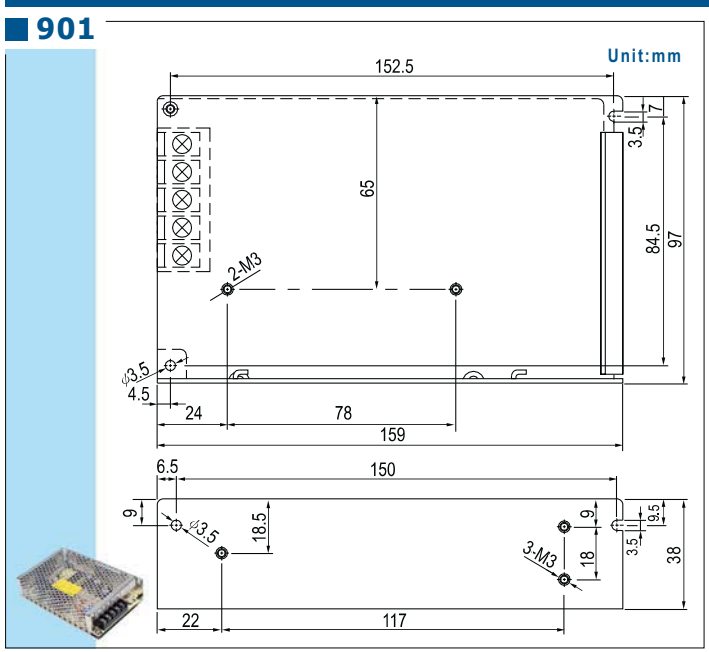
3000W (Inverter with AC & Solar Charger) **NEW**

Model Name	Continue power	Input VDC	Output VAC / Hz	Output socket	Effi.
TN-3000-112[A]	3000W	10.5-15	110 / 60	TYPE-A	88%
TN-3000-124[A]	3000W	21.0-30	110 / 60	TYPE-A	90%
TN-3000-148[A]	3000W	42.0-60	110 / 60	TYPE-A	91%
TN-3000-212[B]	3000W	10.5-15	230 / 50	TYPE-B	89%
TN-3000-224[B]	3000W	21.0-30	230 / 50	TYPE-B	91%
TN-3000-248[B]	3000W	42.0-60	230 / 50	TYPE-B	92%

□ = A, B (standard model), C, D, E or F (optional model)

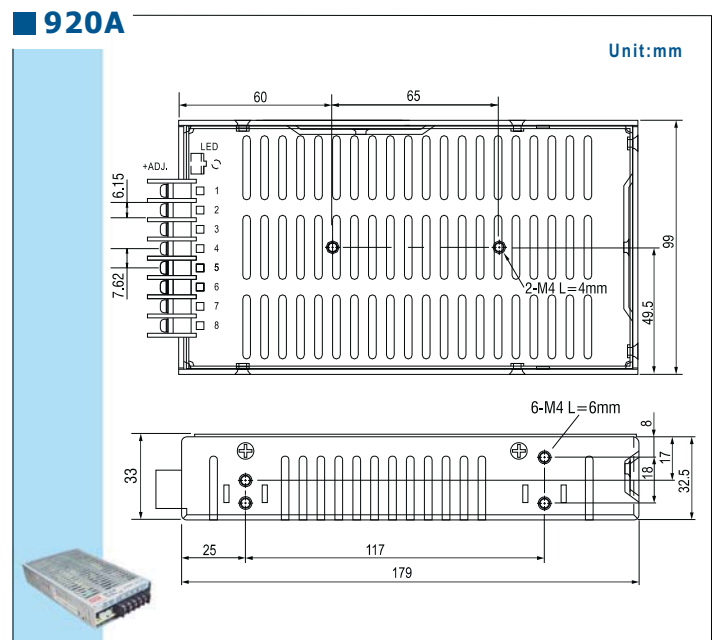
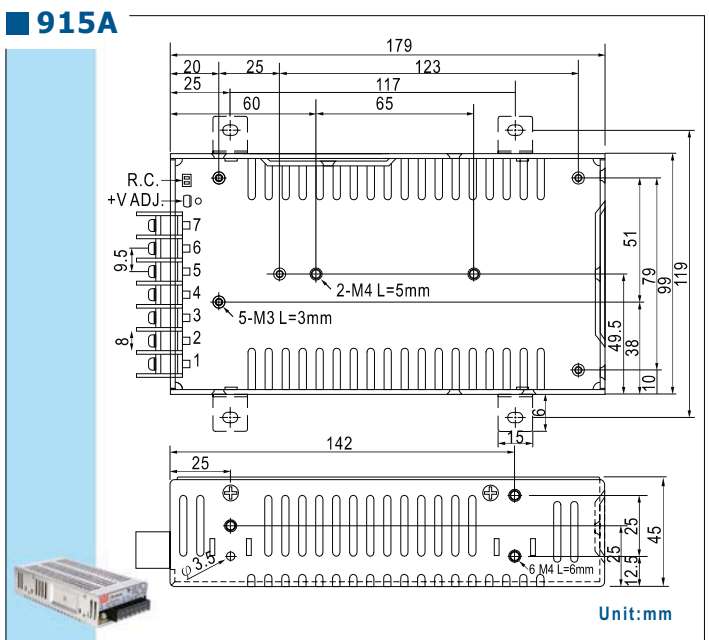
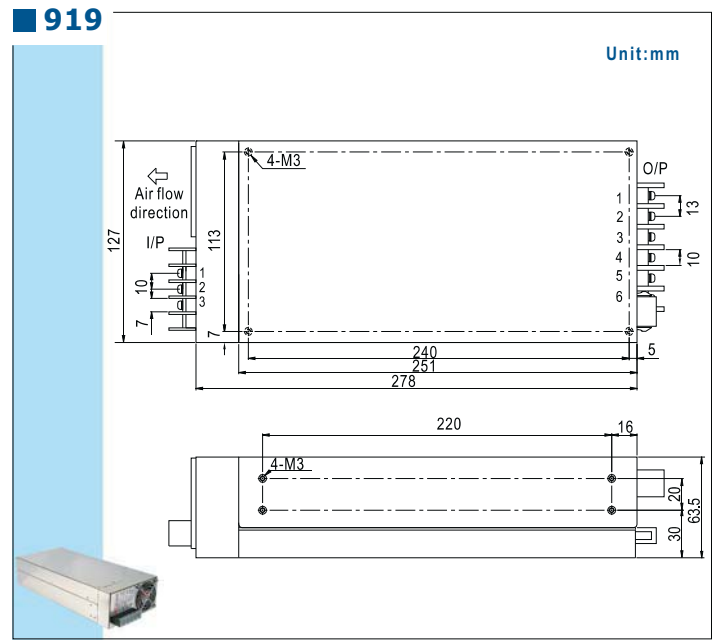
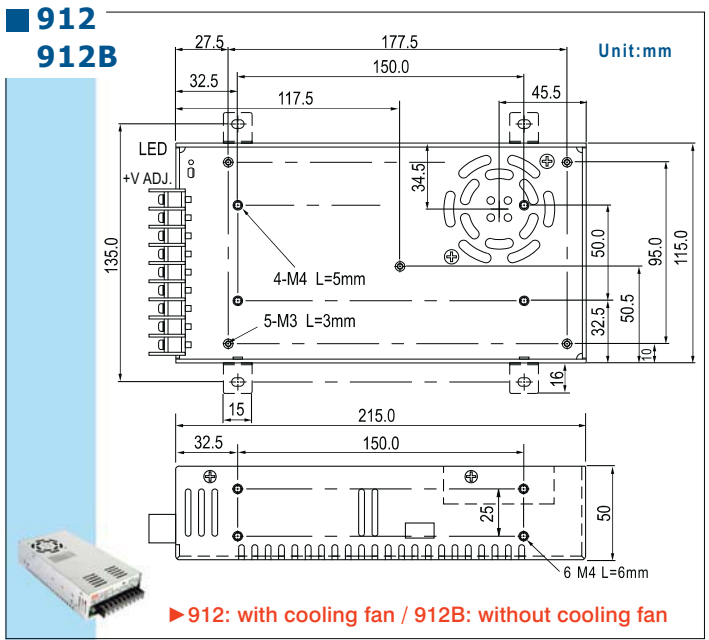
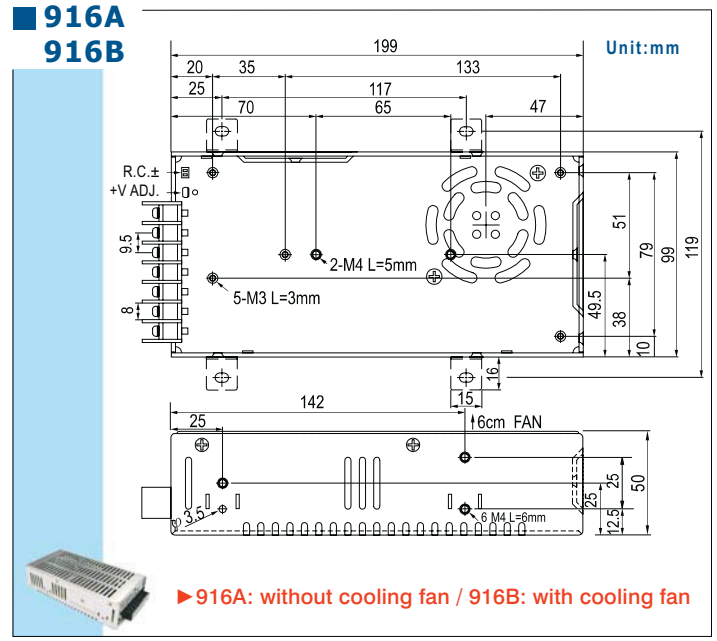
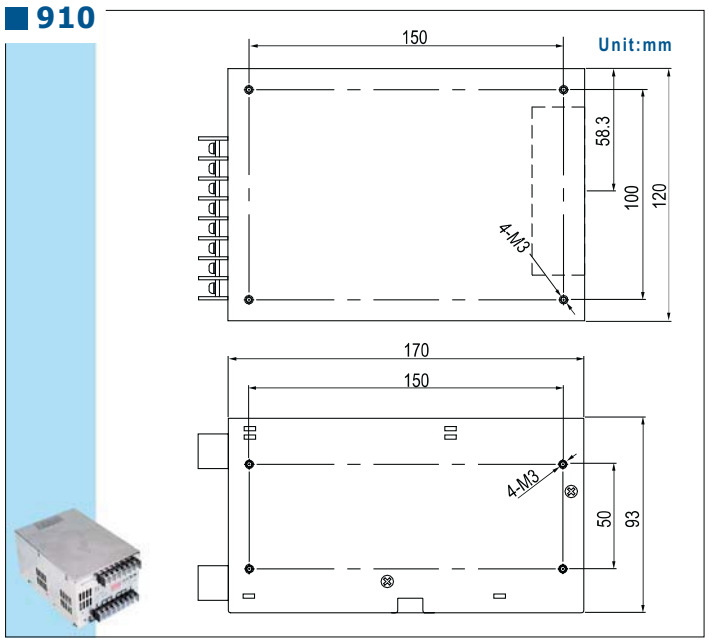


Case Drawing





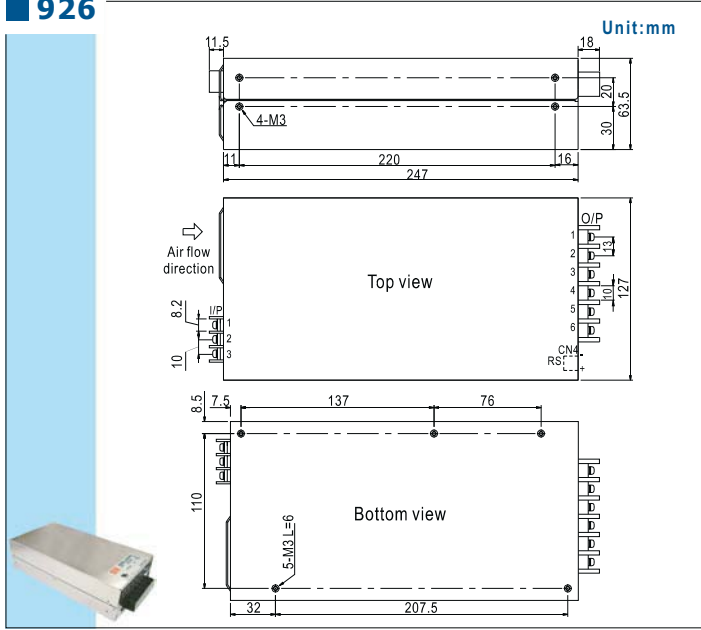
Case Drawing



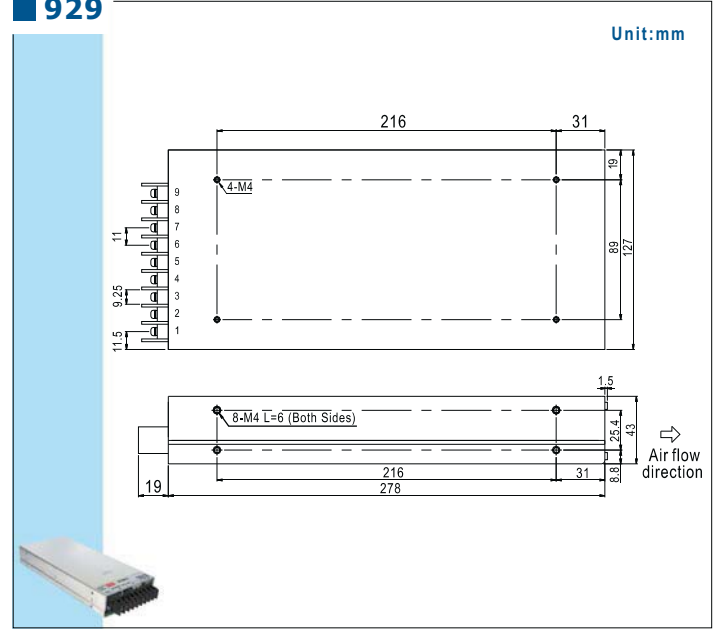


Case Drawing

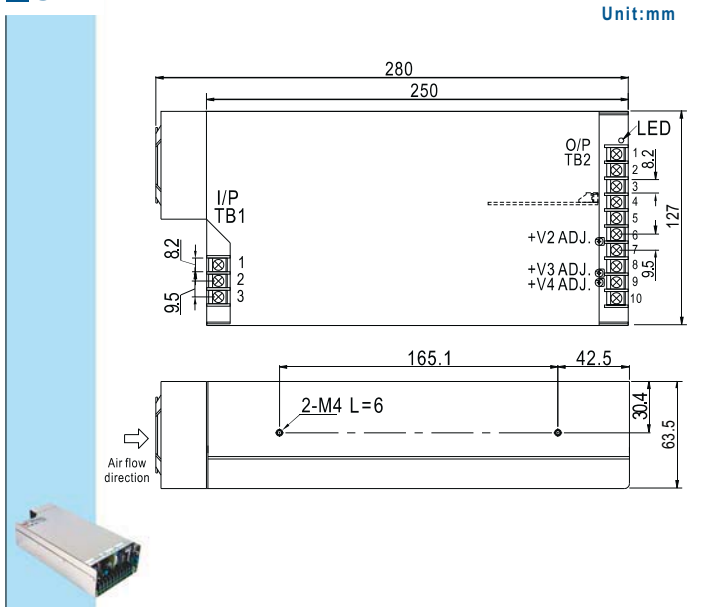
926



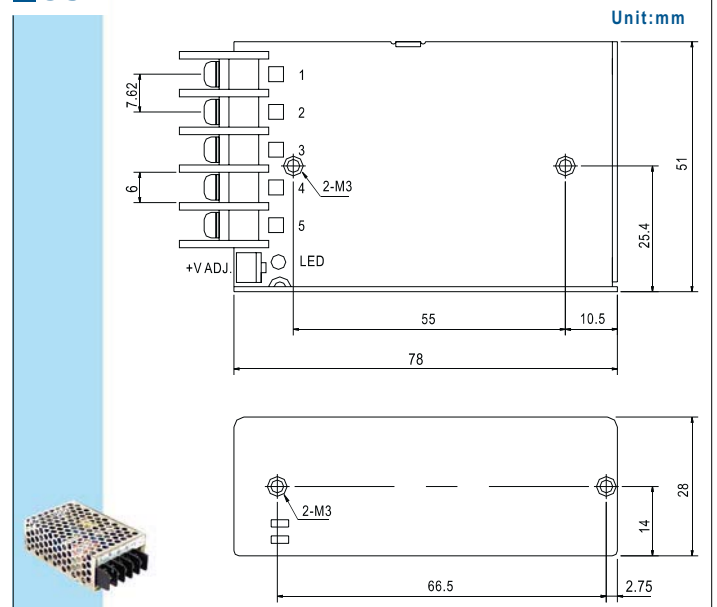
929



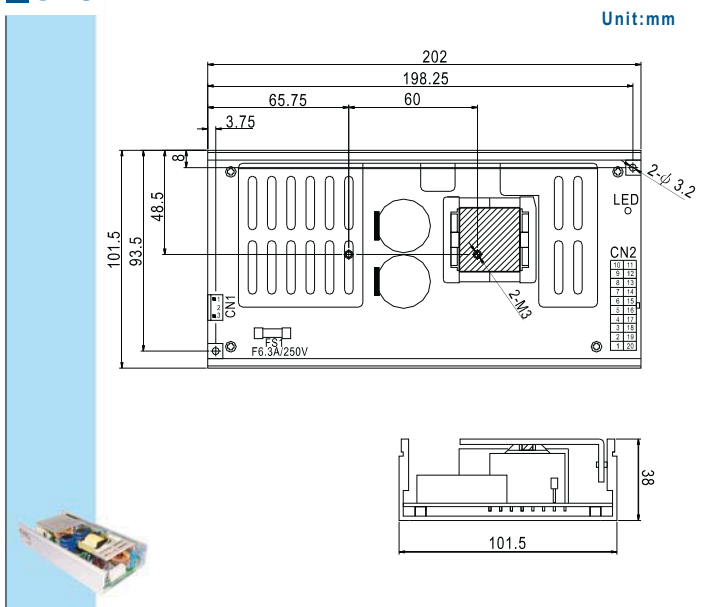
927



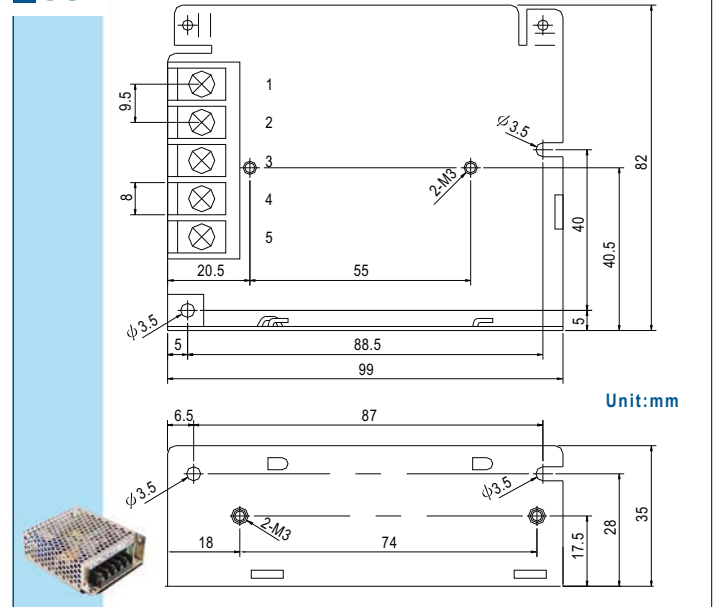
931



928

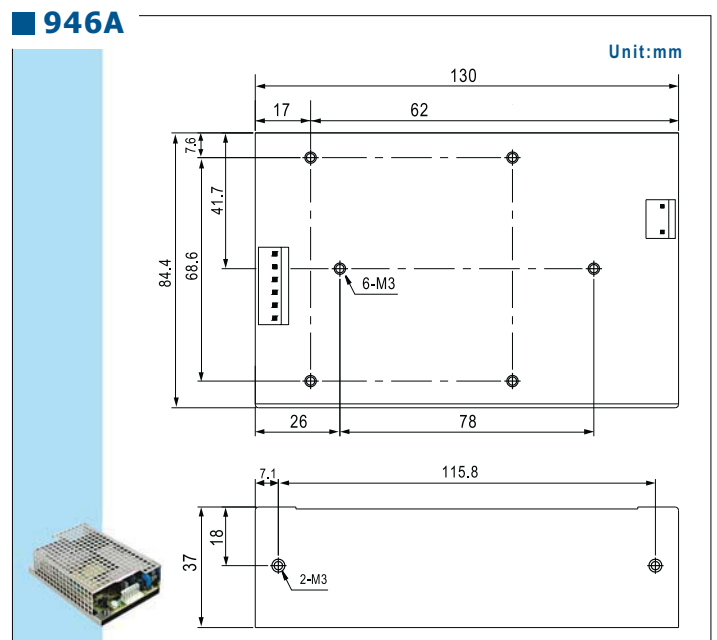
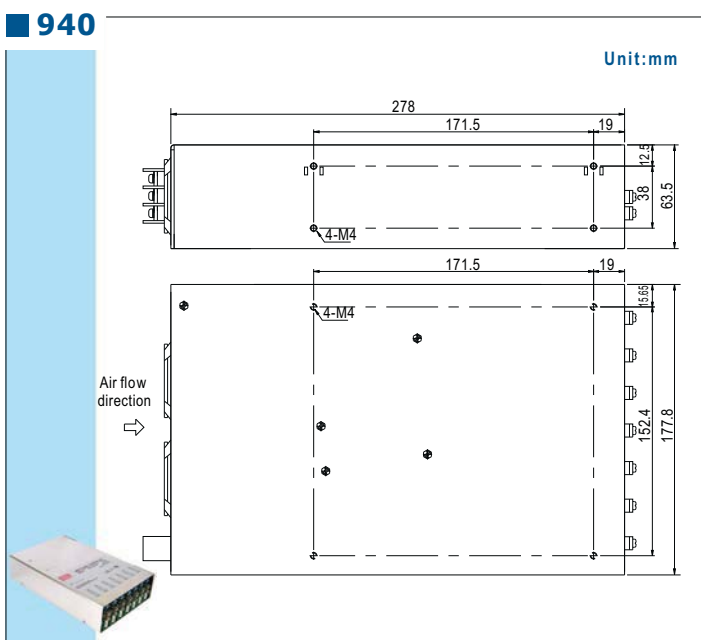
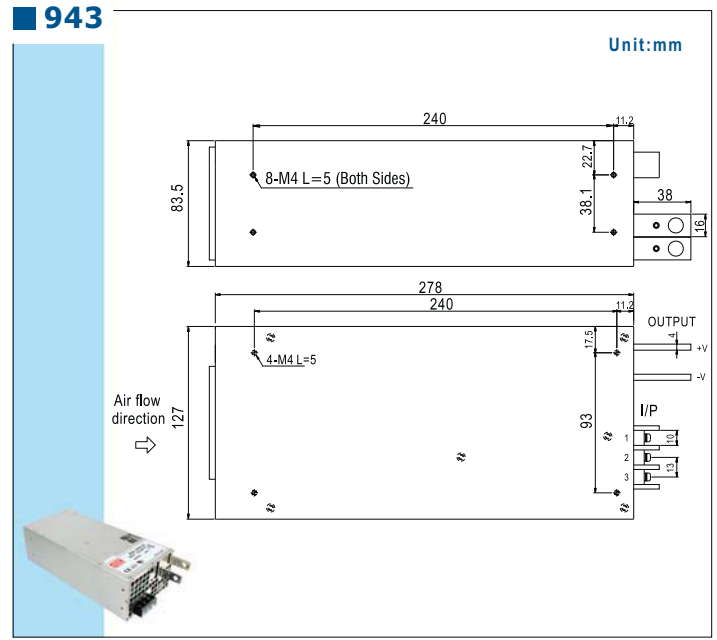
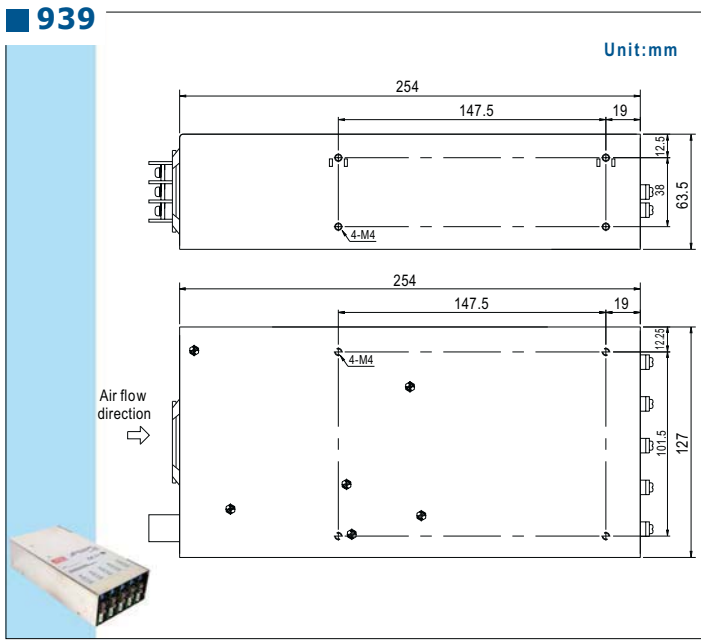
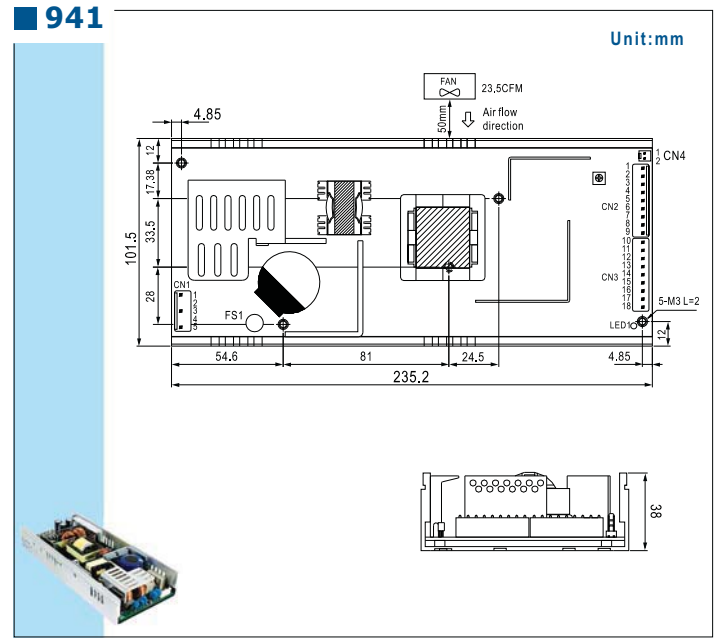
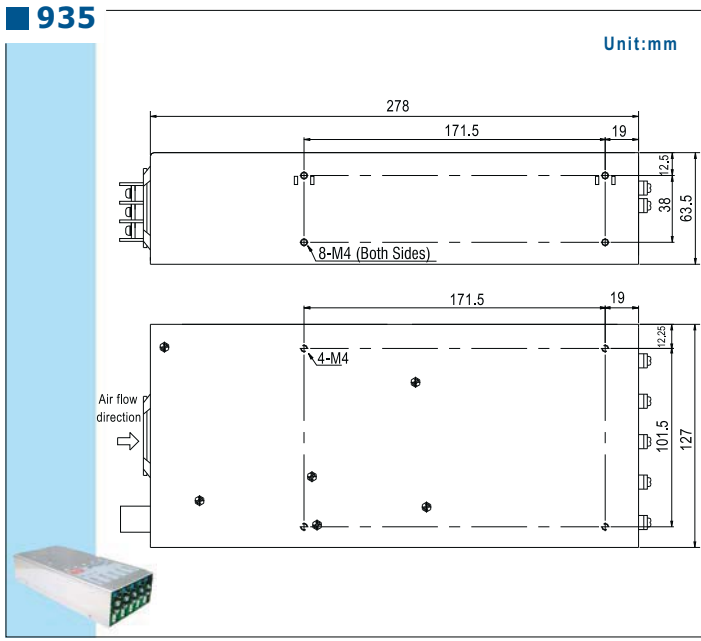


932





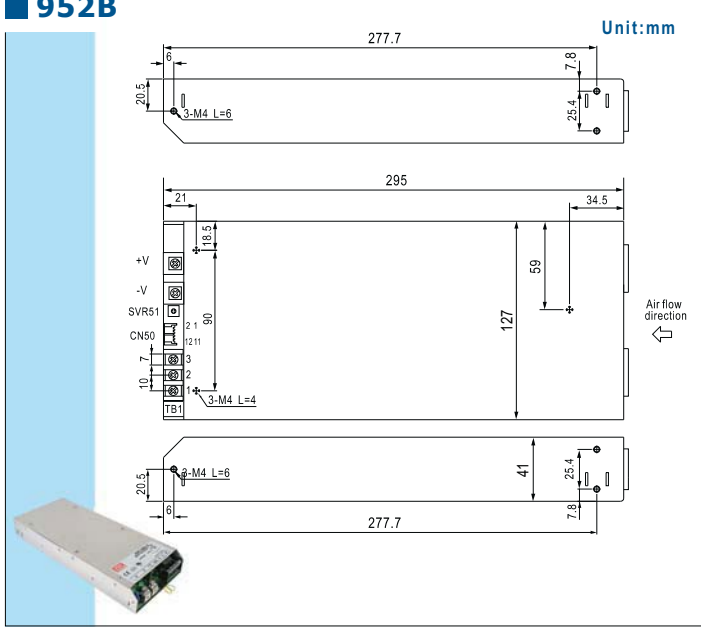
Case Drawing



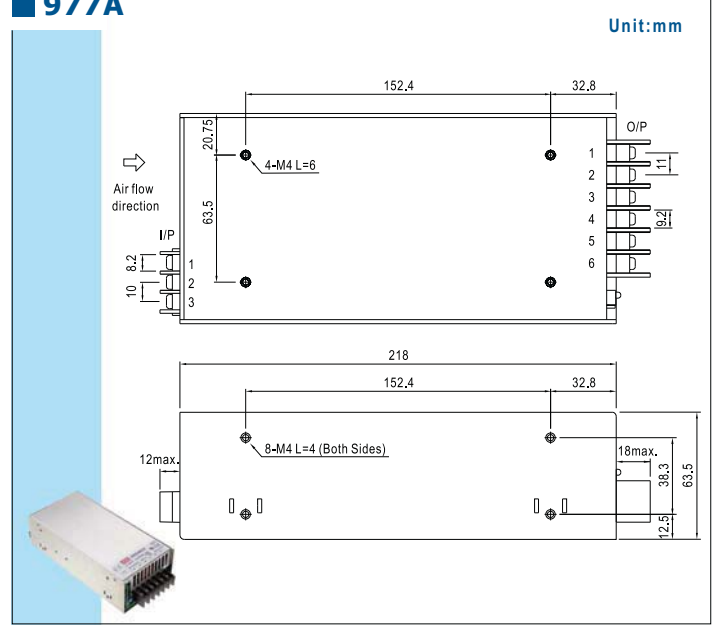


Case Drawing

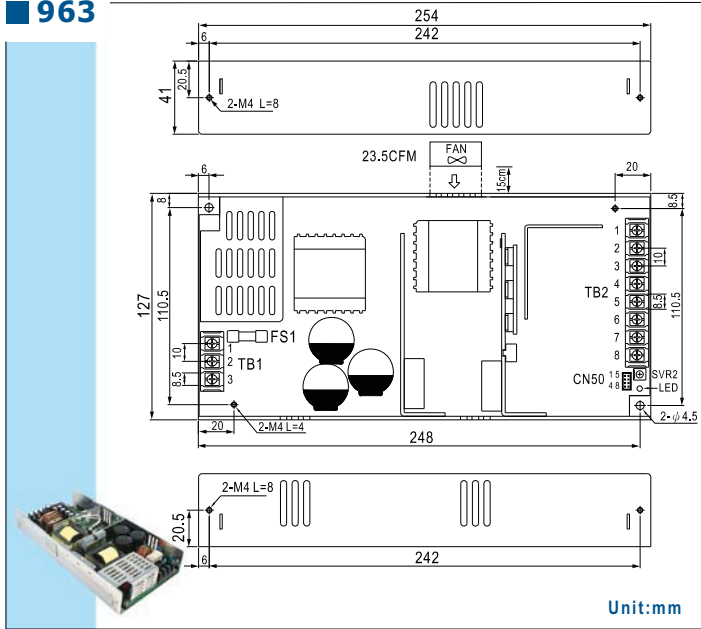
952B



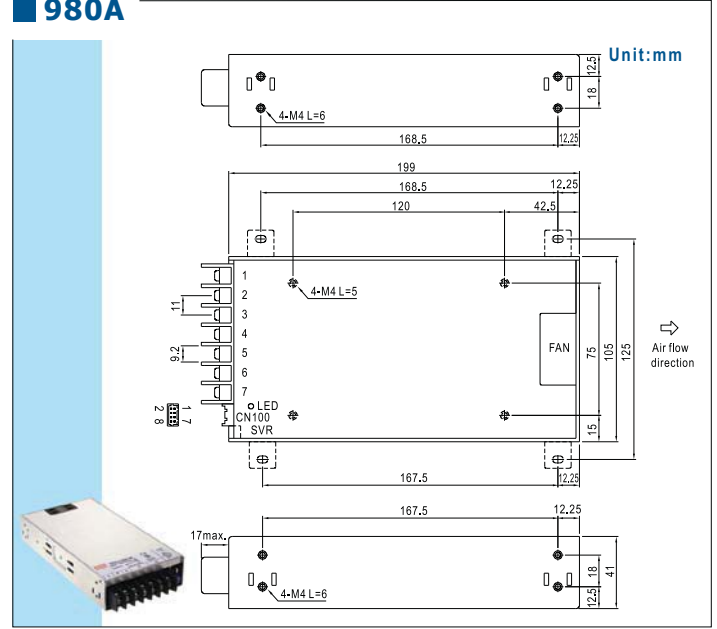
977A



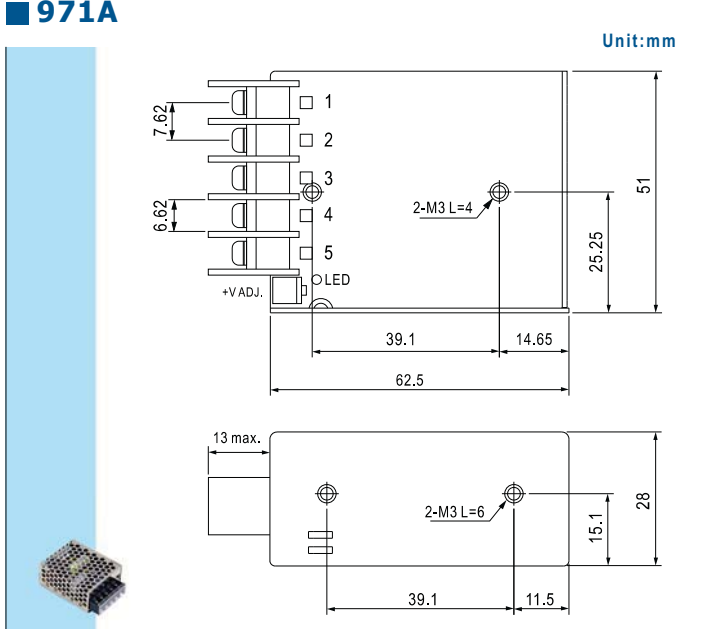
963



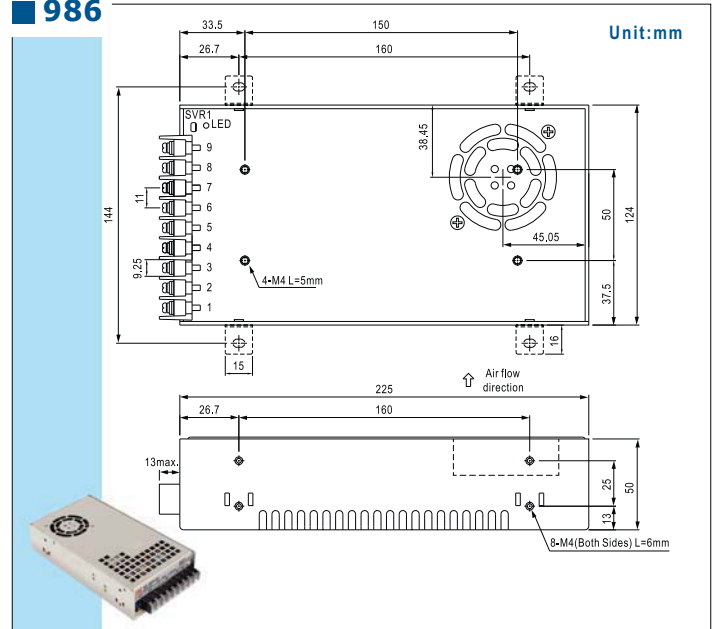
980A



971A



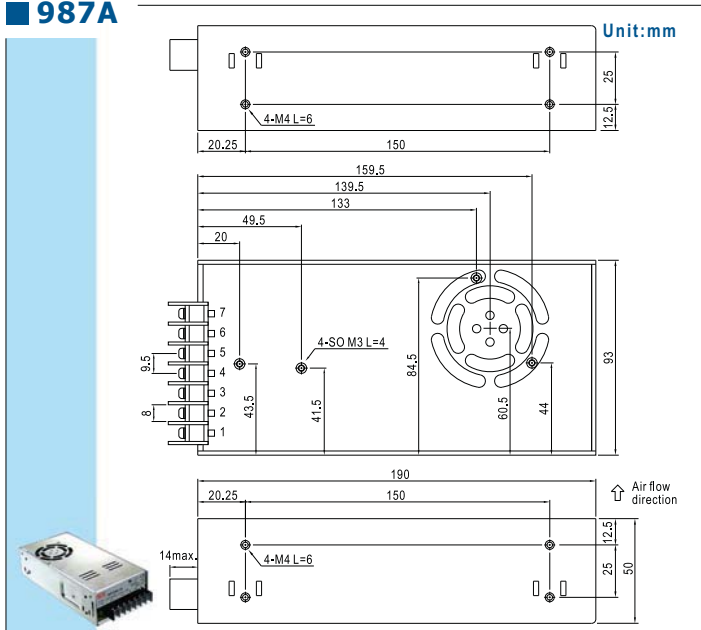
986



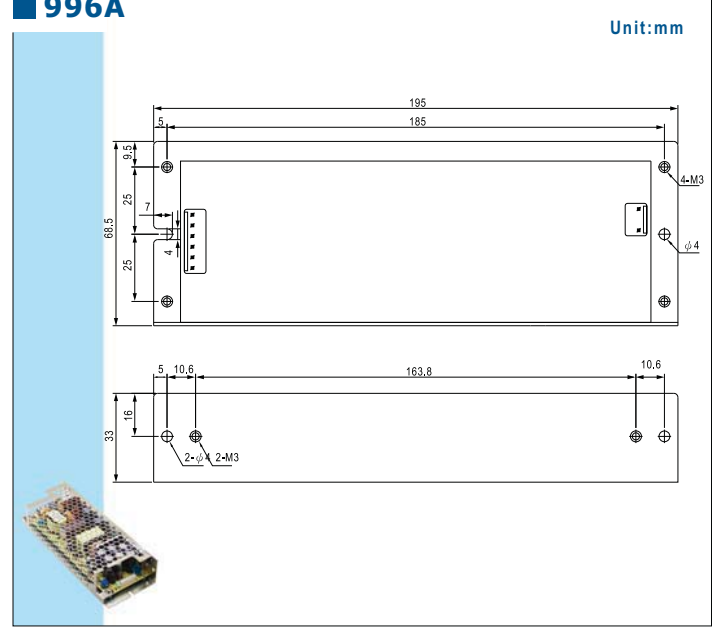


Case Drawing

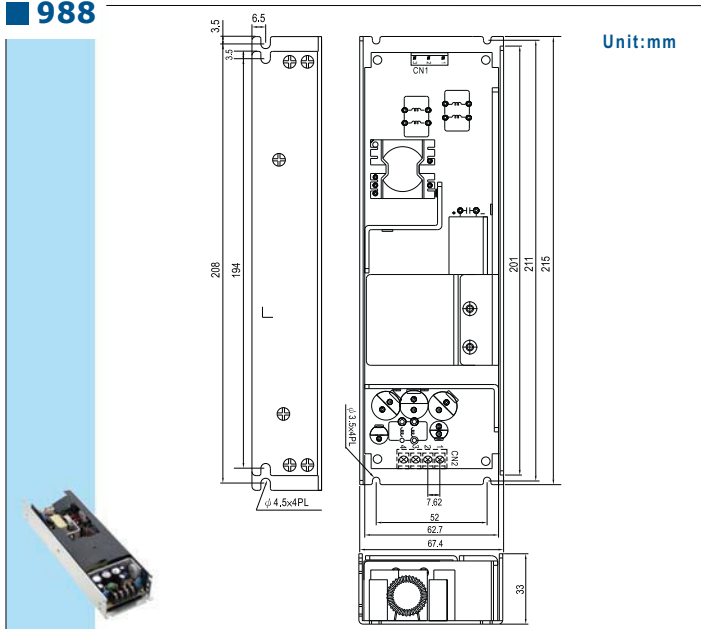
■ 987A



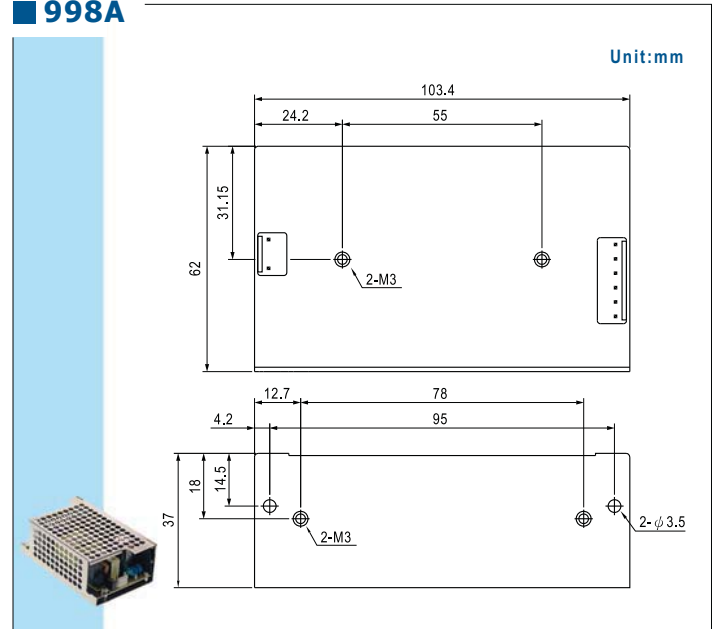
■ 996A



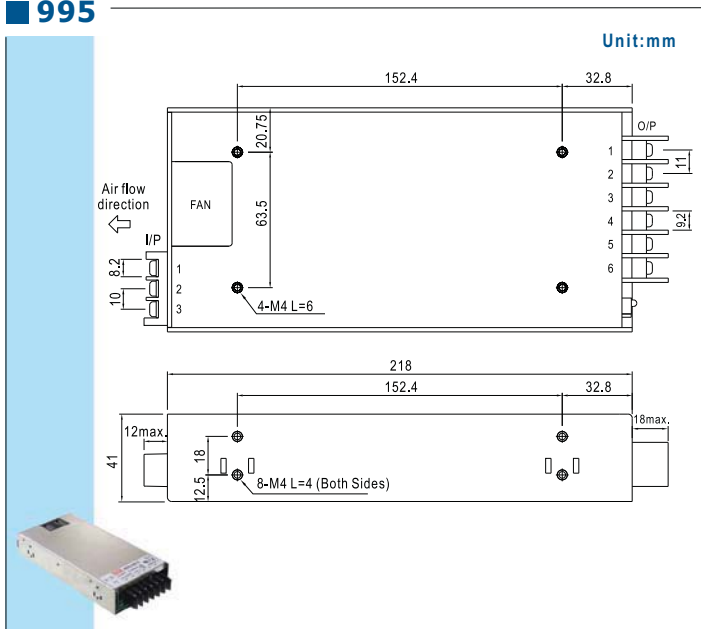
■ 988



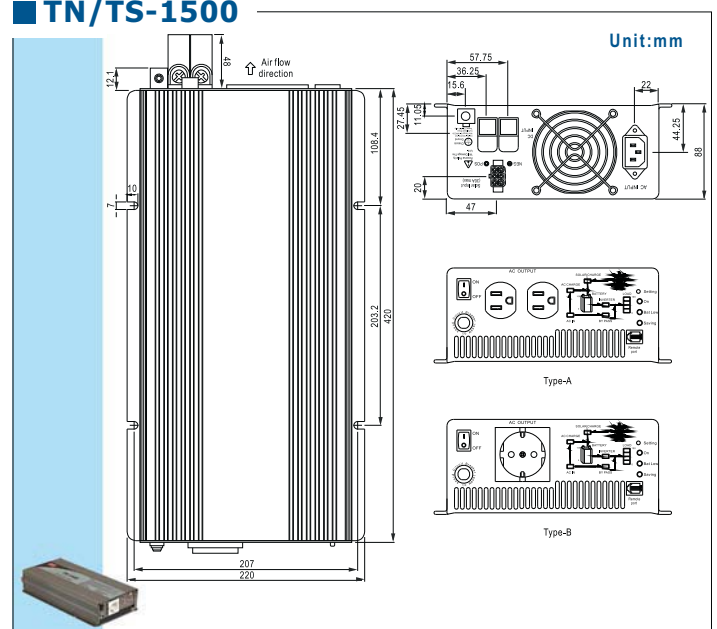
■ 998A



■ 995



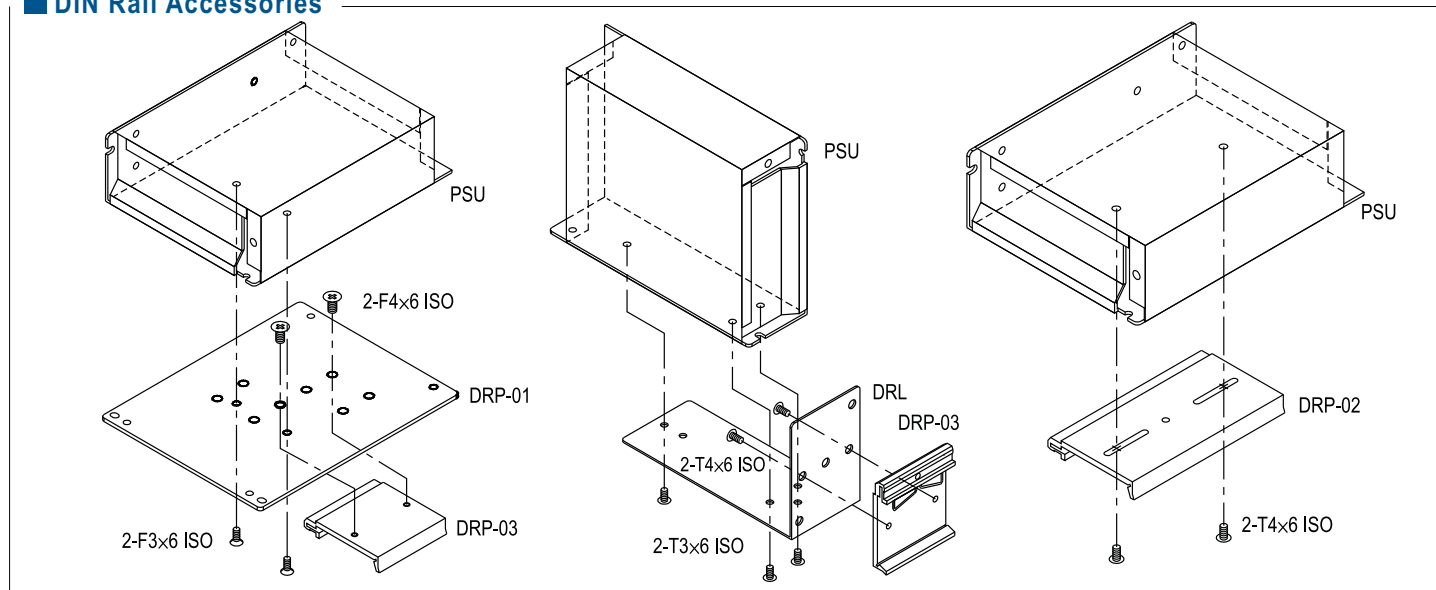
■ TN/TS-1500



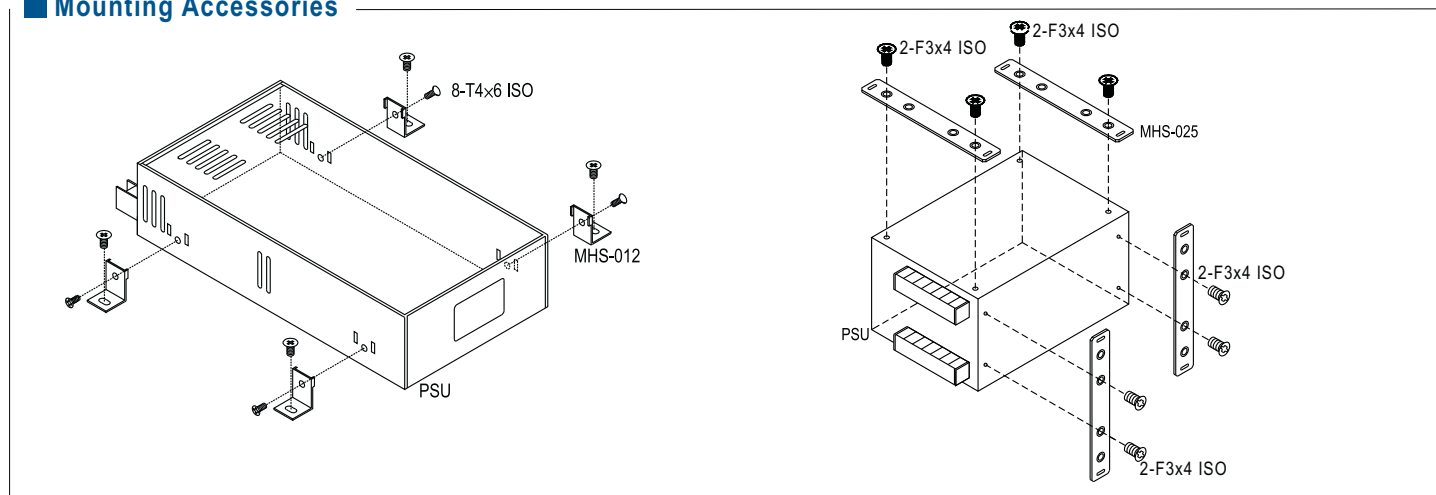


Accessories

DIN Rail Accessories



Mounting Accessories



ITEM	Order No.	Case	Model
	DRL-01	903 905 931 932 971	S-40, D-30, T-30, S-15, S-25, RS-25, NES-15 RS-35, NES-25 RS-15
	DRL-02	901 902 906 915 916 920	S-50, S-60, D-60, S-100, S-100F, SD-100, S-150, SD-150, D-120, SP-100, SP-150, SP-200, SP-75,
	DRL-03	911 912	S-240, S-320, SP-320,
	DRL-03A	980 987	SP-240, HRP(G)-300
	DRP-01	901, 902 903, 906 931, 932	All models
	DRP-02	905 / 915 916 / 920 928	S-15, S-25, ... / SP-100, ... SP-150, SP-200, .. / SP-75, ... USP-225,
	DRP-03	DRP-01 DRL-01~03	All models

ITEM	Order No.	Case	Model
	MHS012	912, 915 916, 935 939, 940 977, 980 982B 986, 987	S-201, S-320, S-350, SP-100, SP-150, SP-200, SP-320, SE-450/1000, MP450/650/1000, SP-240, HRP-300/600, RSP-2400/3000
	MHS013	919 926	PSP-500, SP-750, SE-600
	MHS014	952	RSP-1000, SD-1000
	MHS025	910	SP-500, PSP-600.....
	MHS026	943	RSP-1500
	MHS027	971A 931	RS-15 RS-25
	TBC-05	901 903 905 932	SD-50, S-60 S-40, NES-50, RS-75 S-25, SD-25, NES-35, RS-50 NES-25, RS-35
	TBC-07	901 902 902A 903 905 906	D/ID-60, NED/T-75, RD-85, NES-100, RS-100, T-60 S-100F, RD-125, NES-150, RS-150, SD-100 HRP-200 NED/T-50, RD/RID-65, T-40 NED/T-35, RD-50 S-150, SC-150, SD-150
	TBC-08	901 906	AD-155, ADD/ADS-155 D/T/Q-120





Custom-Standard Product List



Want to get a free design?

If you can't find a suitable product from MEAN WELL's product line and your SPEC also can't be modified from any of our standard product, MEAN WELL offers you an opportunity to get the free custom-made design which is called CDM (Cooperate Design Manufacturer). Unlike ODM which can only fulfill the needs of one customer, our CDM products tend to cover the requirements of more customers and hence can boost the production volume and drag down the costs for all the customers.

Following is the list of our under development CDM products, you are welcome to join the design procedure and let the new product fulfill your special requirement. No NRE charge, no safety costs, just contact us in time!!

<h3>PAD-100</h3>	<h3>100W Single Output with Dual Input Source</h3>
	<ul style="list-style-type: none"> • Dual input source: 90~264VAC or 36~75VDC • Built-in PFC function for AC input • Input mode indicating signal • LED indicator for power on • Protections: Short circuit / Overload / Over voltage • Cooling by free air convection • DC output: 12V / 24V • Suitable for UPS of telecom equipment • 2 years warranty
<p>232 x 65 x 38 mm</p>	
<h3>PT-320</h3>	<h3>320W Triple Output with PFC Function</h3>
	<ul style="list-style-type: none"> • Universal AC input / Full range • Built-in active PFC function, PF>0.92 • Protections: Short circuit / Overload / Over voltage / Over temperature • Seperate protections for all outputs • Wide range output voltage adjustment for CH1&2 • No load power consumption <0.75W • Built-in PS-ON control function • Design refer to UL60950-1, TUV EN60950-1 • 130% peak load capability for all outputs • 80% load by free air convection, 100% load with 18CFM forced air • Working temperature: -20°C~+70°C • Output models: PT-320A - 12V / 0~10A, 24V / 0~6A, 5VSB / 0~5A PT-320B - 24V / 0~10A, 48V / 0~6A, 12VSB / 0~5A • 3 years warranty
<p>197 x 108 x 37 mm</p>	
<h3>SP-400</h3>	<h3>400W Single Output with PFC Function</h3>
	<ul style="list-style-type: none"> • Universal AC input / Full Range • Built-in active PFC function • Protections: Short circuit / Overload / Over voltage / Over temperature • Built-in constant current limiting circuit • Forced air cooling by built-in DC fan • Output models: 3.3V / 5V / 12V / 15V / 24V / 36V / 48V • 3 years warranty
<p>225x 124x 50mm</p>	
<h3>QP-1000</h3>	<h3>1000W Quad Output with PFC Function (Low cost substitute of modular power)</h3>
	<ul style="list-style-type: none"> • Built-in external voltage control function 10~120% for CH3 & CH4 • Universal AC input / Full range • Built-in active PFC function, PF > 0.95 • Protections: Short circuit / Overload / Over voltage / Over temperature • Built-in remote ON/OFF control for CH3, CH4, and the whole unit • Isolated outputs with independent PWM control, no minimum load required • Built-in remote sense for CH3 & CH4 • Output current monitor signal for CH3 & CH4 • Cooling by built-in DC fan • DC output: 12V@8A / 5V@6A / 24V@12.5A / 24V@25A • Design refer to UL60950-1, TUV EN60950-1 • 3 years warranty
<p>278 x 177.8 x 63.5 mm</p>	



General Information

Quotation

- Most of our standard products are available and in stock through our global authorized distributors. Please contact your local distributor for prompt service. Please let us know if you are unable to find Mean Well's distributor information in your local area.
- Written quotations are valid for 60 days from the date quoted unless otherwise specified. Customers are responsible for all banking related charges outside of Taiwan.

Order

- Orders must be placed to Mean Well by mail, e-mail, or fax. Please do not place your order by phone. For international business, Mean Well will provide order confirmations with scheduled delivery dates. If you fail to receive an order confirmation within 2 working days, please reconfirm your order.
- Minimum order amounts per shipment are determined by our local distributor's stock capability. Please contact our sales representative for details.
- We encourage customers to place long-term orders. However, order cancellations or reschedules must be made 45 days prior to the scheduled shipping date.

Delivery

- For our standard products, Mean Well usually keeps around 2-8 weeks safety stock (based on the past 3 months sales record) for prompt delivery of small / medium quantity orders. For large quantity or new product orders, 3-5 weeks lead-time is needed.

Return

- All returned goods must have a RMA (return material authorization) number marked on each carton. Contact Mean Well for a RMA number. All goods must be shipped as "freight prepaid" unless confirmed by our sales representatives.

Warranty

- Products found to be defective within 30 days from the date of receipt can be returned for credit or exchange. After the initial 30 days, Mean Well will repair the goods according to our warranty period. Contact Mean Well for further information on credit or a RMA number. Goods should be shipped as "freight prepaid" to Mean Well and Mean Well will repair and return the defective units (freight prepaid) within 7 working days. If the warranty period has expired, a repair charge (20% of original purchase price or min. USD 5.00/pc) will be charged.
- If customers do the repair by themselves, Mean Well can provide reasonable quantity of free components for repair purpose.

Attention

- We make every effort to ensure the accuracy of information in the catalog. If there is any discrepancy between the data presented in our catalog and the SPEC, the SPEC sheets should take precedence (please refer to www.meanwell.com for the latest SPEC information). We cannot take any responsibility of any consequence arising due to error or change in specification. We suggest customers conduct a sample test for evaluation and approval before placing a formal order.
- For continuing product improvement, Mean Well reserves the right to revise any information in this catalog without further notification.

The EMC directive applies to component power supplies

- Mean Well ensures that all of the power supplies with CE declaration are designed to meet EMC directives and are verified by an independent certified lab agent with a test report prepared. However, there are 2 categories for power supplies: One is a stand-alone power supply, such as laboratory power supplies which can be tested under EMC individually. The other category is a component power supply such as an enclosed power supply and open PCB power supply. These power supplies are considered a component which will be installed into a final equipment. Since EMC performance is affected by the final installation of a product, Mean Well cannot guarantee that the final equipment will meet EMC directives. Final product manufacturers must re-confirm that their product meets EMC directives.

RoHS Announcement

- To minimize the environmental impact and take more responsibility to the earth we live, MEAN WELL applies manufacturing that complies with Directive 2002/95/EC of the European Parliament - RoHS (Restriction of Hazardous Substances) since Sep. 2005. Please refer to the declaration on our web site for more detail information.