



600W With Parallel Function

SCN-600 series



■ Features :

- AC input range selected by switch
- Protections: Short circuit/ Over voltage/Over load/ Over temp.
- High reliability/ Low ripple noise
- Built-in remote sense function
- Built-in remote ON-OFF control
- With parallel function
- Can adjust from 20~100% output voltage by external control 1-5V
- Forced air cooling by built-in DC fan
- Case coating with paint
- 2 years warranty

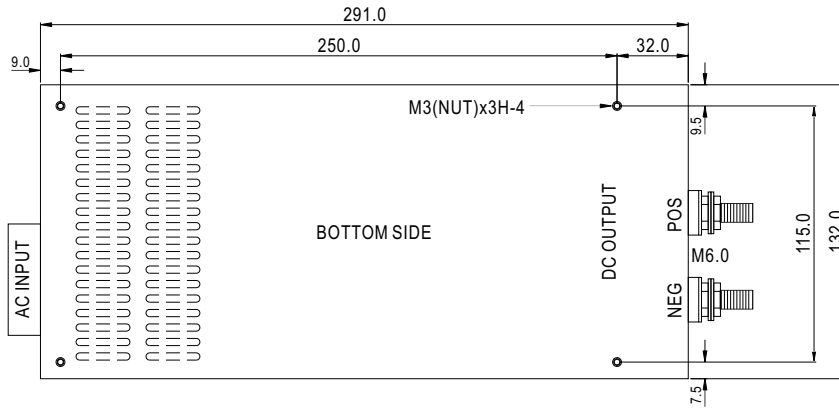
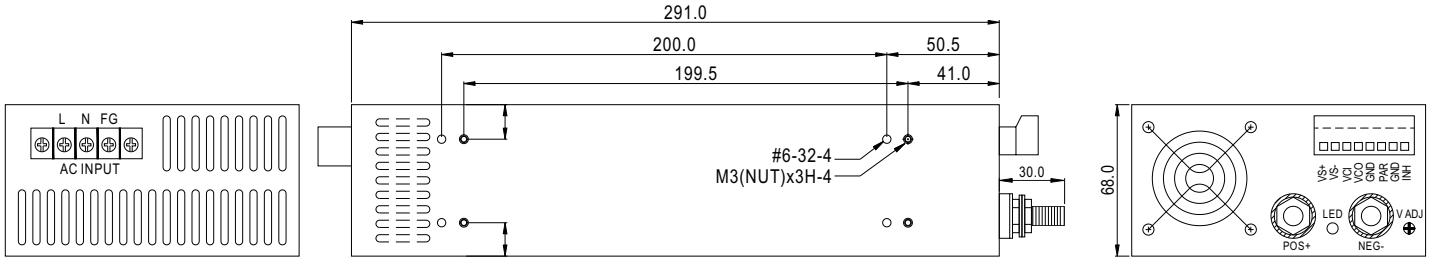


SPECIFICATION

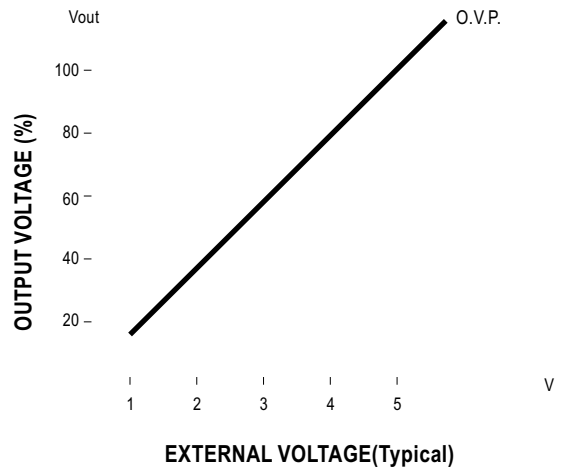
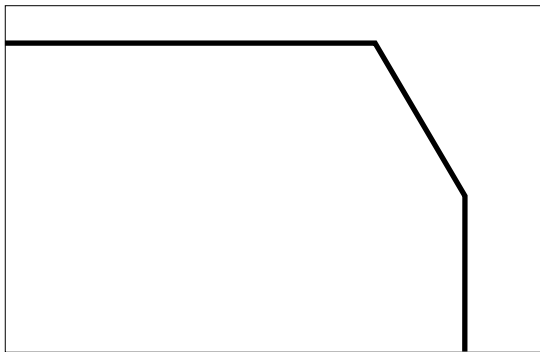
| ORDER NO. | SCN-600-05 | SCN-600-12 | SCN-600-15 | SCN-600-18 | SCN-600-24 | SCN-600-48 | |
|------------------------|--|--|-----------------------------|---|------------|------------|-----------|
| OUTPUT | SAFETY MODEL NO. | 600S-N005 | 600S-N012 | 600S-N015 | 600S-N018 | 600S-N024 | 600S-N048 |
| | DC VOLTAGE | 5V | 12V | 15V | 18V | 24V | 48V |
| | RATED CURRENT | 100A | 50A | 40A | 33A | 25A | 12A |
| | CURRENT RANGE | 0 ~ 100A | 0 ~ 50A | 0 ~ 40A | 0 ~ 33A | 0 ~ 25A | 0 ~ 12A |
| | RATED POWER | 500W | 600W | 600W | 600W | 600W | 600W |
| | RIPPLE & NOISE (max.) Note.2 | 100mVp-p | 120mVp-p | 150mVp-p | 180mVp-p | 240mVp-p | 480mVp-p |
| | VOLTAGE ADJ. RANGE | ±5.0% typical adjustment by potentiometer | | 20~100% adjustment by 1~5VDC external control | | | |
| | VOLTAGE TOLERANCE Note.3 | ±1.5% | ±1.0% | ±1.0% | ±1.0% | ±1.0% | ±1.0% |
| | LINE REGULATION | ±0.5% | ±0.5% | ±0.5% | ±0.5% | ±0.5% | ±0.5% |
| | LOAD REGULATION | ±1.0% | ±0.5% | ±0.5% | ±0.5% | ±0.5% | ±0.5% |
| SETUP, RISE, HOLD TIME | 800ms, 50ms, 16ms at full load | | | | | | |
| INPUT | VOLTAGE RANGE | 90 ~ 130VAC / 180~260VAC selected by switch, 260~370VDC | | | | | |
| | FREQUENCY RANGE | 47~63Hz | | | | | |
| | EFFICIENCY (Typ.) | 77% | 80% | 81% | 82% | 85% | 87% |
| | AC CURRENT | 11A / 115VAC 7.0A / 230VAC | | | | | |
| | INRUSH CURRENT (max.) | 60A / 230VAC | | | | | |
| LEAKAGE CURRENT | 3.5mA / 240VAC | | | | | | |
| PROTECTION | OVER LOAD | 101~115% | 110~135% rated output power | | | | |
| | | Protection type : Current limiting, delay shut down o/p voltage, re-power on to recover | | | | | |
| | OVER VOLTAGE | 110~135% follow to output set up point | | | | | |
| | Protection type : Shut down o/p voltage, re-power on to recover | | | | | | |
| OVER TEMPERATURE | >100°C / measure by heat sink, near transformer | | | | | | |
| | Protection type : Shut down o/p voltage, re-power on to recover | | | | | | |
| ENVIRONMENT | WORKING TEMP. | -10~+65°C (Refer to output load derating curve) | | | | | |
| | WORKING HUMIDITY | 20%~90% RH non-condensing | | | | | |
| | STORAGE TEMP., HUMIDITY | -20~+85°C, 10~95% RH | | | | | |
| | TEMP. COEFFICIENT | ±0.04% / °C (0~50°C) | | | | | |
| | VIBRATION | 10~200Hz, 2G 10min./1cycle, period for 60min. each along X, Y, Z axes | | | | | |
| SAFETY & EMC (Note. 4) | SAFETY STANDARDS | UL1950, CSA22.2, IEC60950 Approved | | | | | |
| | WITHSTAND VOLTAGE | I/P-O/P, I/P-FG:1500VAC | | | | | |
| | ISOLATION RESISTANCE | I/P-O/P, I/P-FG, 100M Ohms / 500VDC | | | | | |
| | EMI CONDUCTION & RADIATION | Compliance to FCC part 15 class A | | | | | |
| | HARMONIC CURRENT | ---- | | | | | |
| EMS IMMUNITY | ---- | | | | | | |
| OTHERS | MTBF | 120khrs min. MIL-HDBK-217F (25°C) | | | | | |
| | DIMENSION | 291*132*68mm (L*W*H) | | | | | |
| | PACKING | 2.3kg; 8pcs/ 24kg/ CARTON | | | | | |
| | SPECIAL FUNCTION | DC voltage adj., Remote sensing, remote control, parallel operation (refer to terminal instruction manual) | | | | | |
| NOTE | <p>1.All parameters are specified at 230VAC input, rated load, 25°C 70% RH. Ambient.</p> <p>2.Tolerance: includes set up tolerance, line regulation, load regulation.</p> <p>3.Ripple & noise are measured at 20MHz by using a 12" twisted pair terminated with a 0.1uf & 47uf capacitor.</p> <p>4.The power supply is considered a component which will be installed into a final equipment. The final equipment must be re-confirmed that it still meets EMC directives.</p> | | | | | | |

Mechanical Specification

Unit:mm



External DC Control VS Output Voltage

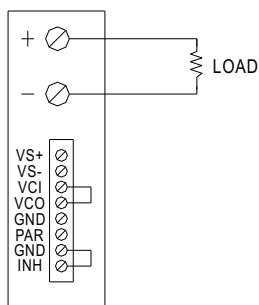




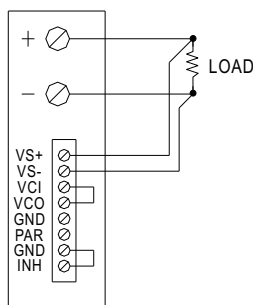
600W With Parallel Function

SCN-600 series

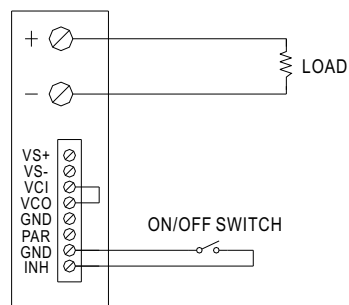
Control terminal instruction manual



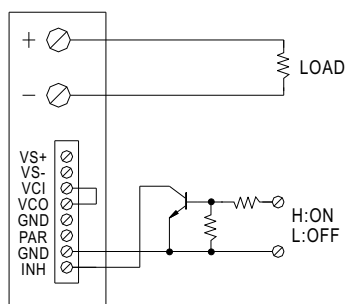
USING INTERNAL VOLTAGE CONTROL



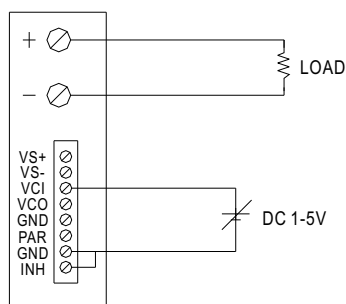
REMOTE SENSING



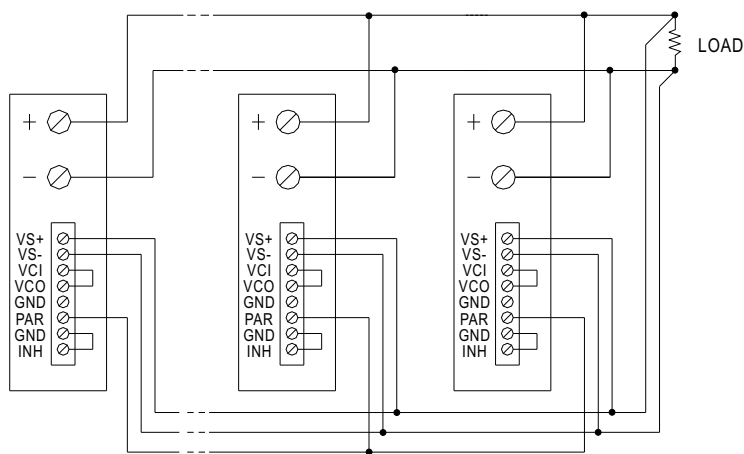
ON/OFF CONTROL BY SWITCH



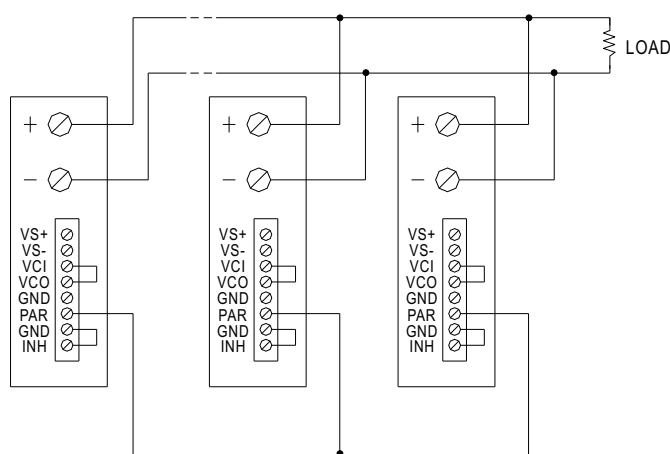
ON/OFF CONTROL BY TRANSISTOR



OUTPUT VOLTAGE ADJUST WITH DC 1-5V



PARALLEL OPERATION WITH REMOTE SENSING



PARALLEL OPERATION