

MITSUBISHI FAST RECOVERY DIODE MODULES

RM100CA/C1A-XXF

HIGH SPEED SWITCHING USE
INSULATED TYPE

RM100CA/C1A-XXF



- **Idc** DC current **100A**
- **VRRM** Repetitive peak reverse voltage
.. **600/800/1000/1200V**
- **trr** Reverse recovery time **0.8μs**
- **Insulated Type**
- **UL Recognized**

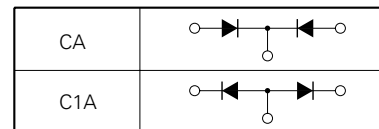
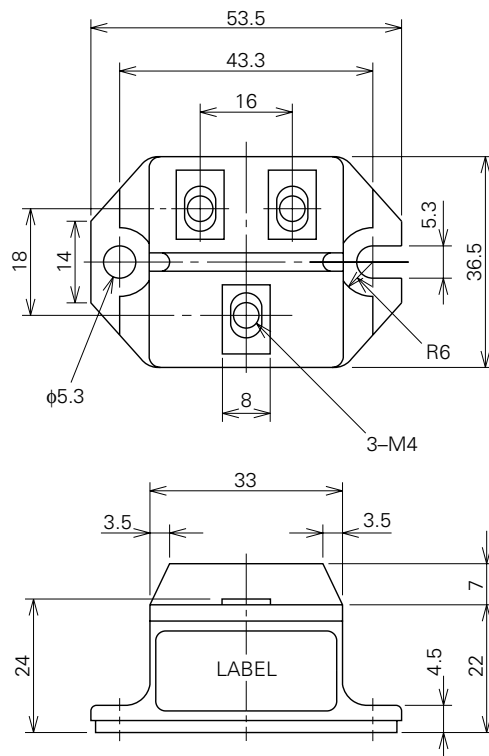
Yellow Card No. E80276 (N)
File No. E80271

APPLICATION

Free wheel use, Welders

OUTLINE DRAWING & CIRCUIT DIAGRAM

Dimensions in mm



MITSUBISHI FAST RECOVERY DIODE MODULES

RM100CA/C1A-XXF

HIGH SPEED SWITCHING USE
INSULATED TYPEABSOLUTE MAXIMUM RATINGS (T_J=25°C)

Symbol	Parameter	Voltage class				Unit
		12	16*	20*	24	
V _{RRM}	Repetitive peak reverse voltage	600	800	1000	1200	V
V _{DRM}	Non-repetitive peak reverse voltage	720	960	1100	1350	V
V _{R(DC)}	Reverse DC voltage	480	640	800	960	V

* Order made

Symbol	Parameter	Conditions	Ratings	Unit
I _{DC}	DC output current	Resistive load, T _C =75°C	100	A
I _{FSM}	Surge (non-repetitive) forward current	One half cycle at 60Hz, peak value	2000	A
I ² _t	I ² _t for fusing	Value for one cycle of surge current	16.7 × 10 ³	A ² s
T _J	Junction temperature		-40~150	°C
T _{stg}	Storage temperature		-40~125	°C
V _{iso}	Isolation voltage	Charged part to case	2500	V
—	Mounting torque	Main terminal screw M4	0.98~1.47	N·m
			10~15	kg·cm
		Mounting screw M5	1.47~1.96	N·m
—	Weight	Typical value	15~20	kg·cm
			90	g

ELECTRICAL CHARACTERISTICS

Symbol	Parameter	Test conditions	Limits			Unit
			Min.	Typ.	Max.	
I _{RRM}	Repetitive reverse current	T _J =150°C, V _{RRM} applied	—	—	20	mA
V _{FM}	Forward voltage	T _J =25°C, I _{FM} =100A, instantaneous meas.	—	—	1.5	V
t _{rr}	Reverse recovery time	I _{FM} =100A, di/dt=-200A/μs, V _R =300/600V* ¹ , T _J =150°C	—	—	0.8	μs
Q _{rr}	Reverse recovery charge		—	—	60	μC
R _{th(j-c)}	Thermal resistance	Junction to case	—	—	0.5	°C/W
R _{th(c-f)}	Contact thermal resistance	Case to fin, conductive grease applied	—	—	0.3	°C/W

*¹ 12 class: V_R=300V 20, 24 class: V_R=600V

Feb. 1999



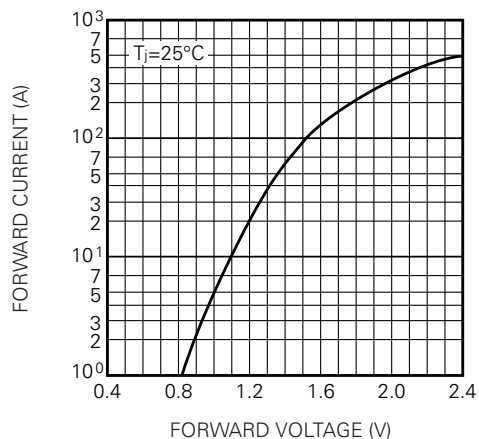
MITSUBISHI FAST RECOVERY DIODE MODULES

RM100CA/C1A-XXF

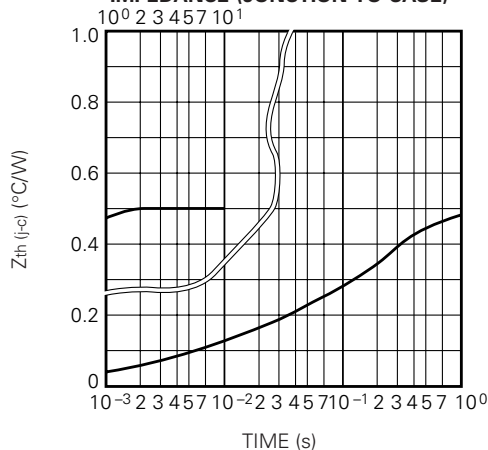
HIGH SPEED SWITCHING USE
INSULATED TYPE

PERFORMANCE CURVE

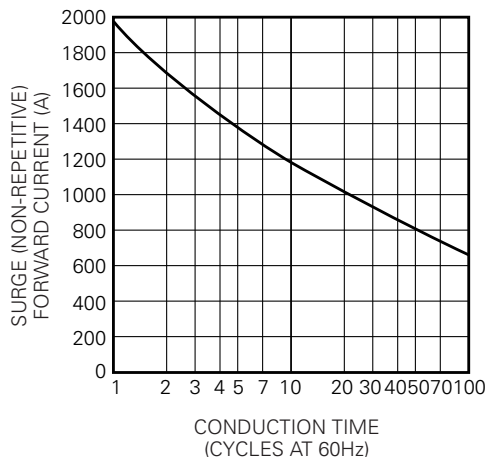
MAXIMUM FORWARD CHARACTERISTIC



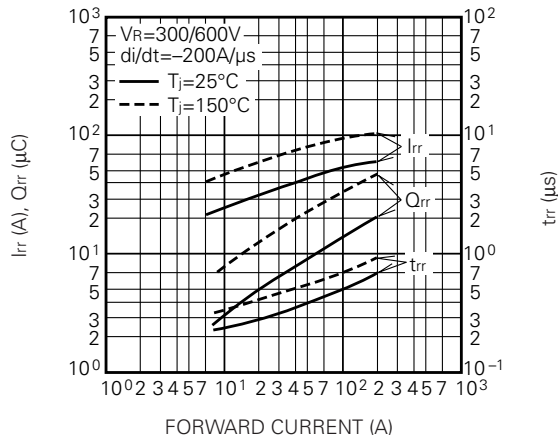
MAXIMUM TRANSIENT THERMAL IMPEDANCE (JUNCTION TO CASE)



RATED SURGE (NON-REPETITIVE) FORWARD CURRENT



REVERSE RECOVERY CHARACTERISTICS VS. FORWARD CURRENT (TYPICAL)



REVERSE RECOVERY CHARACTERISTICS VS. -di/dt (TYPICAL)

