

TRANSISTOR MODULE (Hi-β)

QCA100BA60



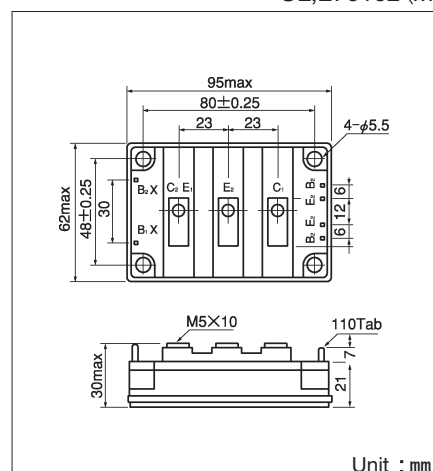
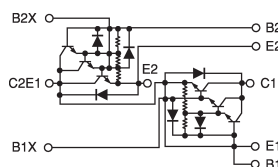
UL;E76102 (M)

QCA100BA60 is a dual Darlington power transistor module which has series-connected **ULTRA HIGH** h_{FE} , high speed, high power Darlington transistors. Each transistor has a reverse paralleled fast recovery diode ($t_{rr} : 200ns$). The mounting base of the module is electrically isolated from Semiconductor elements for simple heatsink construction,

- $I_C=100A$, $V_{CEX}=600V$
- Low saturation voltage for higher efficiency.
- **ULTRA HIGH** DC current gain h_{FE} . $h_{FE} \geq 750$
- Isolated mounting base
- $V_{EBO} 10V$ for faster switching speed.

(Applications)

Motor Control (VVVF), AC/DC Servo, UPS, Switching Power Supply, Ultrasonic Application



Maximum Ratings

($T_j=25^{\circ}C$)

Symbol	Item	Conditions	Ratings		
			QCA100BA60	Unit	
V_{CBO}	Collector-Base Voltage		600	V	
V_{CEX}	Collector-Emitter Voltage	$V_{BE} = -2V$	600	V	
V_{EBO}	Emitter-Base Voltage		10	V	
I_C	Collector Current	() =pw≤1ms	100 (200)	A	
$-I_C$	Reverse Collector Current		100	A	
I_B	Base Current		6	A	
P_T	Total power dissipation	$T_C=25^{\circ}C$	620	W	
T_j	Junction Temperature		-40~+150	$^{\circ}C$	
T_{stg}	Storage Temperature		-40~+125	$^{\circ}C$	
V_{ISO}	Isolation Voltage	A.C.1minute	2500	V	
	Mounting Torque	Mounting (M5)	Recommended Value 1.5~2.5 (15~25)	2.7 (28)	N·m (kgf·cm)
		Terminal (M5)	Recommended Value 1.5~2.5 (15~25)	2.7 (28)	
	Mass	Typical Value	360	g	

Electrical Characteristics

($T_j=25^{\circ}C$)

Symbol	Item	Conditions	Ratings			Unit
			最小	標準	最大	
I_{CBO}	Collector Cut-off Current	$V_{CB}=V_{CBO}$			1.0	mA
I_{EBO}	Emitter Cut-off Current	$V_{EB}=V_{EBO}$			400	mA
$V_{CEO(SUS)}$	Collector Emitter Sustaining Voltage	$I_C=1A$	450			V
$V_{CEX(SUS)}$		$I_C=20A, I_{B2}=-5A$	600			
h_{FE}	D.C. Current Gain	$I_C=100A, V_{CE}=2.5V$	750			
$V_{CE(sat)}$	Collector-Emitter Saturation Voltage	$I_C=100A, I_B=130mA$			2.5	V
$V_{BE(sat)}$	Base-Emitter Saturation Voltage	$I_C=100A, I_B=130mA$			3.0	V
t_{on}	Switching Time	On Time			2.0	μs
t_s		Storage Time	$V_{CC}=300V, I_C=100A$		8.0	
t_f		Fall Time	$I_{B1}=0.2A, I_{B2}=-2A$		2.0	
V_{ECO}	Collector-Emitter Reverse Voltage	$I_C=-100A$			1.8	V
t_{rr}	Reverse Recovery time	$V_{CC}=300V, -I_C=100A, -di/dt=100/\mu s, V_{BE}=-5V$	200			ns
$R_{th(j-c)}$	Thermal Impedance (junction to case)	Transistor part			0.2	$^{\circ}C/W$
		Diode part			0.6	

QCA100BA60

