

Предлагаем предохранители вставки плавкие
(радиодетали) СО СКЛАДА И ПОД ЗАКАЗ

Беларусь г.Минск тел./факс 8(017)200-56-46 www.fotorele.net e:mail minsk17@tut.by

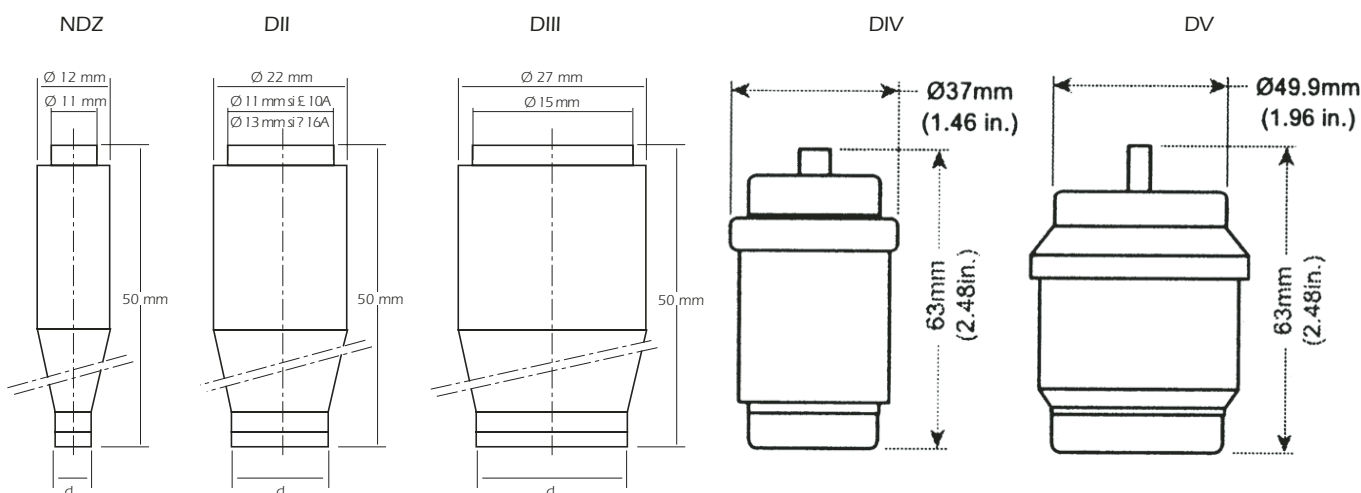
Low Voltage
Lindner

D gG fuses - NDZ, DII, DIII, DIV, DV

Size	Current (A)	Voltage (V) (V)	Color Code	Cat.Number	Ref. number	Pckg
NDZ	2	500V	pink	NDZGG50V2	W212539M	25
NDZ	4	500V	brown	NDZGG50V4	G213055M	25
NDZ	6	500V	green	NDZGG50V6	C213557M	25
NDZ	10	500V	red	NDZGG50V10	B214062M	25
NDZ	16	500V	grey	NDZGG50V16	J214575M	25
NDZ	20	500V	blue	NDZGG50V25	O215087M	25
NDZ	25	500V	yellow	NDZGG50V25	O215593M	25
DII	2	500V	pink	DIIGG50V2	Z219718M	25
DII	4	500V	brown	DIIGG50V4	G222163M	25
DII	6	500V	green	DIIGG50V6	B222917M	25
DII	10/6*	500V	red	DIIGG50V10/6F	D213558M	25
DII	10	500V	red	DIIGG50V10	K200707M	25
DII	16	500V	grey	DIIGG50V16	K201765M	25
DII	20	500V	blue	DIIGG50V20	A211508M	25
DII	25	500V	yellow	DIIGG50V25	X212540M	25
DIII	35	500V	black	DIIGG50V35	C214063M	25
DIII	50	500V	white	DIIGG50V50	K214576M	25
DIII	63	500V	copper	DIIGG50V63	R215088M	25
DIV	80	500V	silver	DIVGG50V80	V216609J	10
DIV	100	500V	red	DIVGG50V100	M217637J	10
DV	125	500V	yellow	DVGG50V125	V218150J	10
DV	160	500V	copper	DVGG50V160	G218667J	10
DV	200	500V	blue	DVGG50V200	W219186J	10



* with base contact stud for 6A (without VDE test mark).



Type	NDZ	DII	DIII	DIV	DV
plug diameters	E16	E27	E33	R 1 1/4	R2
d	There is a standardized diameter d for each fuse rating				

Functions

gG industrial fuses – German DIN standard - D EN 60269-1 and 2-1 compliant.
Old standard (D) on dimensions to mechanically ensure non-interchangeability of ratings.
Protection for power cables and equipment except motors.
Selective coordination between two fuses two ratings apart (e.g. 16A and 10A).

Being replaced by NEOZED fuses.
This single curve replaces previous curves (Träge and Flink).

Applications

Protection at all levels of power distribution.
Mains, branch circuits, service entrance and point of use equipment.

Bases for D fuses

Snap-on mounting 500Vac/ 690Vac



Size	Rated current (A)	Pole	Max. wire cross-section mm ²	Cat. Number	Ref. number	Pckg
w/o protection against accidental contact						
DII	25	1*	6	00685.100000	K207055AF	15
DIII	63	4*	16	00686.400000	V215597AF	15
with protection against accidental contact						
DII	25	1	6	00685.110000	D211511J	10
DIII	63	4	16	00686.410000	C216110J	10

Screw mounting 500Vac/690Vac



Size	Rated current (A)	Pole	Max. wire cross-section mm ²	Cat. Number	Ref. number	Pckg
w/o protection against accidental contact						
DII	25	1*	6	00081.100000	K218670AF	15
DIII	63	4*	16	00072.400000	H212021AF	15
with protection against accidental contact						
DII	25	1*	6	00081.110000	Z219189J	10
DIII	63	4*	16	00072.410000	A212543J	10

Screw caps for D fuses

690Vac model



Size	Rated current (A)		Cat. Number	Ref. number	Pckg
D III	63		00605.000000	L218671M	25

500Vac porcelain and plastic models



Size	Rated current (A)	Vis	Cat. Number	Ref. number	Pckg
Porcelain with testing hole					
DII	25	E 27	00690.000200	E218619L	20
DIII	63	E 33	00691.000200	B213004L	20
Porcelain w/o testing hole					
NDZ	25	E 16	00589.000000	Z216613P	50
DII	25	E 27	00690.000000	Z218108L	20
DIII	63	E 33	00691.000000	F211973L	20
DIV	100	R11/4		Y216060J	10
Plastic with testing hole					
DII	25	E 27	02071.000000	L201720L	20
DII	63	E 33	02072.000000	E214019L	20

Gauge piece for D fuse

Size	Rated current (A)	Gauge piece color	Cat. Number	Ref. number	Pckg
NDZ	2	pink	01655.002000	B212544P	50
NDZ	4	brown	01655.004000	M213060P	50
NDZ	6	green	01655.006000	H213562P	50
NDZ	10	red	01655.010000	G214067P	50
NDZ	16	grey	01655.016000	P214580P	50



Screw gauge pieces for D fuses (DII/DIII)

Size	Rated current (A)	Gauge piece color	Cat. Number	Ref. number	Pckg
D II	2	pink	01657.002000	A219190M	25
D II	4	brown	01657.004000	D219722M	25
D II	6	green	01657.006000	L222167M	25
D II	10	red	01657.010000	F222921M	25
D II	16	grey	01657.016000	P200711M	25
D II	20	blue	01657.020000	D201253M	25
D II	25	yellow	01657.025000	P201769M	25
D III	35	black	01658.035000	C207071M	25
D III	50	white	01658.050000	E211512M	25
D III	63	copper	01658.063000	J212022M	25



Gauge rings for D fuses (DII/DIII) in the TRI60 system

Size	Rated current (A)	Gauge piece color	Cat. Number	Ref. number	Pckg
D II	2	pink	01652.002000	W215092P	50
D II	4	brown	01652.004000	W215598P	50
D II	6	green	01652.006000	D216111P	50
D II	10	red	01652.010000	A216614P	50
D II	16	grey	01652.016000	M217131P	50
D II	20	blue	01652.020000	S217642P	50
D II	25	yellow	01652.025000	A218155P	50
D III	2	pink	01653.002000	M218672P	50
D III	4	brown	01653.004000	E219723P	50
D III	6	green	01653.006000	M222168P	50
D III	10	red	01653.010000	G222922P	50
D III	16	grey	01653.016000	O200712P	50
D III	20	blue	01653.020000	E201254P	50
D III	25	yellow	01653.025000	O201770P	50
D III	35	black	01653.035000	L207079P	50
D III	50	white	01653.050000	F211513P	50



Key for D gauge pieces



Size	Cat.Number	Ref. number	Pckg
DII, DIII	01657.993000	E216112J	10

Insulating cover for D fuse bases



Size	Cat.Number	Ref. number	Pckg
Single-pole			
DII (40mm wide)	00685.700000	H214068Y	30
D III (50 mm wide)	00686.700000	X215093Y	30
D II (45 mm wide)	00685.709000	Q214581Y	30
D III (54 mm wide)	00686.709000	X215599Y	30
3-pole			
D II	00625.700000	N213061G	8
D II	00626.700000	J213563G	8

Touch protection ring for D fuse bases



Size	Cat.Number	Ref. number	Pckg
Plastic			
D II	00181.900000	K222120P	50
D III	00182.900000	A222870P	50
Porcelain			
D II	00081.900000	C219675Y	30

Adapter fitting for D fuse



Size	Cat.Number	Ref. number	Pckg
D II/ D III	00581.000000	C212545P	50

Locking caps



Size	Cat.Number	Ref. number	Pckg
DII Industry ²⁾	02071.810000	N217132J	10
DIII Industry ²⁾	02072.810000	B218156J	10

* PFor authorized power utility personnel only

1) red cap with black tip

2) black cap with red tip

Locking keys

Size	Cat.Number	Ref. number	Pckg
supply boards	01714.820000	K213564P*	50
Industry	01717.830000	J214069P	50

* For authorized power utility personnel only