

**SDA SERIES SOLID STATE RELAY**

- SDA-400D025J-1Z**
- SDA-400D040J-1Z**
- SDA-400D050J-1Z**
- SDA-400D075J-1Z**
- SDA-400D090J-1Z**
- SDA-400D100J-1Z**

**DC Control AC Loading S.S.R**



**Specifications**

| MODEL SERIES NO. | CONTROL VOLTAGE | MUST TURN OFF VOLTAGE | INPUT IMPEDANCE | LOADING CURRENT | LOADING VOLTAGE | MIN BLOCKING VOLTAGE | MAX OFF-STATE LEAKAGE | FREQUENCY RANGE | MAX 1-CYCLE PEAK SURGE |
|------------------|-----------------|-----------------------|-----------------|-----------------|-----------------|----------------------|-----------------------|-----------------|------------------------|
| SDA-400D025J-1Z  | 10 - 32 VDC     | MAX 3.0 VDC           | 1.5 KΩ          | 25A             | 48 ~ 480VAC     | 1200VAC              | LESS 10 mA            | 47-70HZ         | 250A                   |
| SDA-400D040J-1Z  | 10 - 32 VDC     | MAX 3.0 VDC           | 1.5 KΩ          | 40A             | 48 ~ 480VAC     | 1200VAC              | LESS 10 mA            | 47-70HZ         | 400A                   |
| SDA-400D050J-1Z  | 10 - 32 VDC     | MAX 3.0 VDC           | 1.5 KΩ          | 50A             | 48 ~ 480VAC     | 1200VAC              | LESS 10 mA            | 47-70HZ         | 500A                   |
| SDA-400D075J-1Z  | 10 - 32 VDC     | MAX 3.0 VDC           | 1.5 KΩ          | 75A             | 48 ~ 480VAC     | 1200VAC              | LESS 10 mA            | 47-70HZ         | 750A                   |
| SDA-400D090J-1Z  | 10 - 32 VDC     | MAX 3.0 VDC           | 1.5 KΩ          | 90A             | 48 ~ 480VAC     | 1200VAC              | LESS 10 mA            | 47-70HZ         | 900A                   |
| SDA-400D100J-1Z  | 10 - 32 VDC     | MAX 3.0 VDC           | 1.5 KΩ          | 100A            | 48 ~ 480VAC     | 1200VAC              | LESS 10 mA            | 47-70HZ         | 1000A                  |

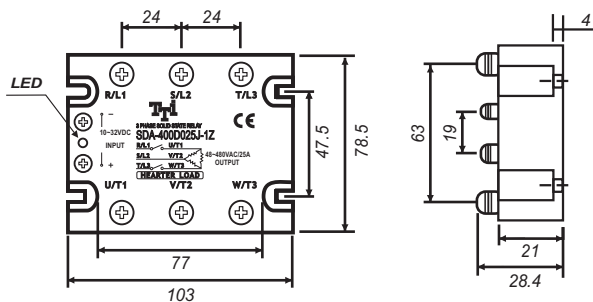
| MODEL SERIES NO. | MAX OFF STATE dv/dt | MAX ON-STATE VOLTAGE DROP | ISOLATE IMPEDENCE | DIELECTRIC STRENGTH INPUT-OUTPUT | DIELECTRIC STRENGTH INPUT-OUTPUT-CASE | TURN ON TIME | TURN OFF TIME     | CAPACITANCE IN-OUT | WEIGHT (g) |
|------------------|---------------------|---------------------------|-------------------|----------------------------------|---------------------------------------|--------------|-------------------|--------------------|------------|
| SDA-400D025J-1Z  | 1000 V/μsec         | 1.6Vrms                   | 10 <sup>9</sup> Ω | 4000 VACrms                      | 4000 VACrms                           | LESS 2 msec  | LESS 1/2 AC CYCLE | LESS 473 PF        | 400 g      |
| SDA-400D040J-1Z  | 1000 V/μsec         | 1.6Vrms                   | 10 <sup>9</sup> Ω | 4000 VACrms                      | 4000 VACrms                           | LESS 2 msec  | LESS 1/2 AC CYCLE | LESS 473 PF        | 400 g      |
| SDA-400D050J-1Z  | 1000 V/μsec         | 1.6Vrms                   | 10 <sup>9</sup> Ω | 4000 VACrms                      | 4000 VACrms                           | LESS 2 msec  | LESS 1/2 AC CYCLE | LESS 473 PF        | 400 g      |
| SDA-400D075J-1Z  | 1000 V/μsec         | 1.6Vrms                   | 10 <sup>9</sup> Ω | 4000 VACrms                      | 4000 VACrms                           | LESS 2 msec  | LESS 1/2 AC CYCLE | LESS 473 PF        | 400 g      |
| SDA-400D090J-1Z  | 1000 V/μsec         | 1.6Vrms                   | 10 <sup>9</sup> Ω | 4000 VACrms                      | 4000 VACrms                           | LESS 2 msec  | LESS 1/2 AC CYCLE | LESS 473 PF        | 400 g      |
| SDA-400D100J-1Z  | 1000 V/μsec         | 1.6Vrms                   | 10 <sup>9</sup> Ω | 4000 VACrms                      | 4000 VACrms                           | LESS 2 msec  | LESS 1/2 AC CYCLE | LESS 473 PF        | 400 g      |

**Parts No.**

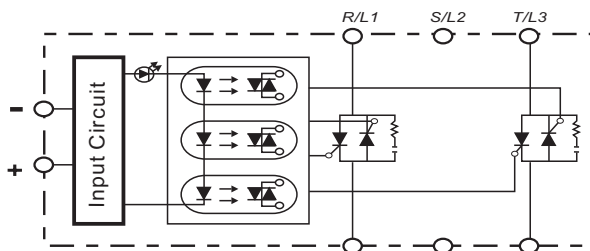
**SDA-400D025J-1Z**

Switching Type : Z = Zero Crossing  
 Packing : 1 = Screw Type  
 Phase : J = Heater Load (Three-Phase Two Line)  
 Loading Current : 025 = 25A, 040 = 40A, 050 = 50A  
 075 = 75A, 090 = 90A, 100 = 100A  
 Control Voltage : D = 10-32VDC  
 Loading Voltage : 400 = 48~480VAC  
 Control Type : DA = DC Control AC  
 S = S.S.R

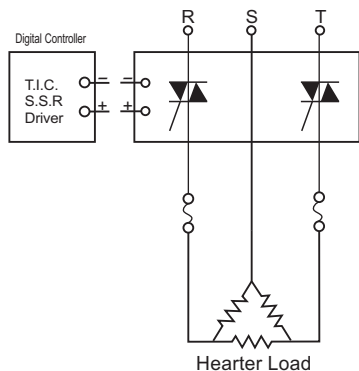
**Outline Dimensions (Unit : mm)**



**Equivalent Circuit**

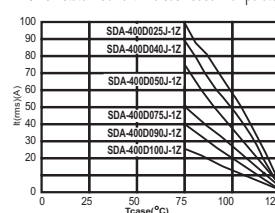


**Example : 3Ø S.S.R Application**



**Characteristic Curves**

RMS On-state Current Versus Case Temperature



Non Repetitive Surge On-state Current Versus Number Of Cycles

