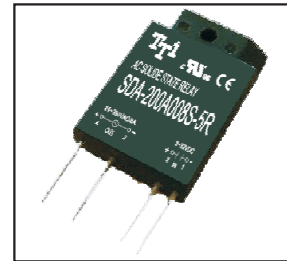


SDA SERIES SOLID STATE RELAY

SDA-200A008S-5R
SDA-200A012S-5R
SDA-200A016S-5R

DC Control AC Loading S.S.R



Specifications

MODEL SERIES NO.	CONTROL VOLTAGE	MUST TURN OFF VOLTAGE	INPUT IMPEDANCE	LOADING CURRENT	LOADING VOLTAGE	MIN BLOCKING VOLTAGE	MAX OFF-STATE LEAKAGE	FREQUENCY RANGE	MAX 1-CYCLE PEAK SURGE
SDA-200A008S-5R	3 - 32 VDC	MAX 1.0 VDC	1.5 K Ω	8A	24 ~ 280VAC	600VAC	LESS 3 mA	47-70HZ	80A
SDA-200A012S-5R	3 - 32 VDC	MAX 1.0 VDC	1.5 K Ω	12A	24 ~ 280VAC	600VAC	LESS 3 mA	47-70HZ	120A
SDA-200A016S-5R	3 - 32 VDC	MAX 1.0 VDC	1.5 K Ω	16A	24 ~ 280VAC	600VAC	LESS 3 mA	47-70HZ	160A

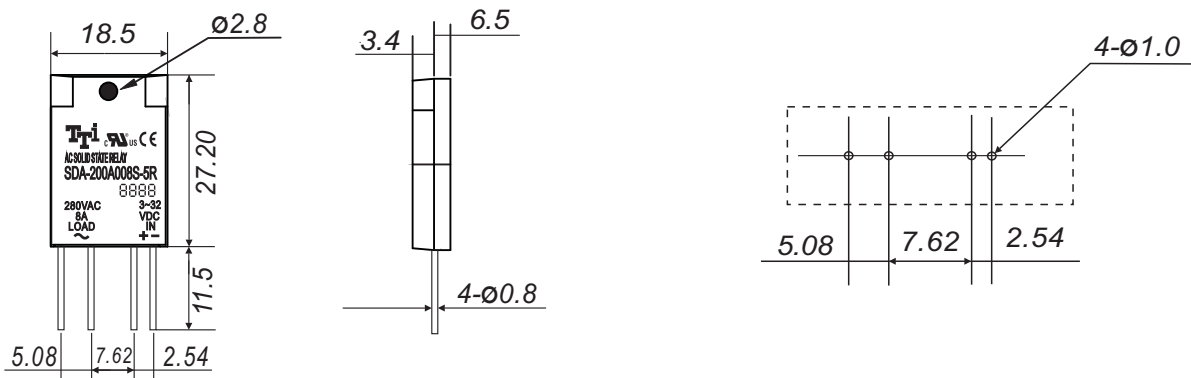
MODEL SERIES NO.	MAX OFF STATE dv/dt	MAX ON-STATE VOLTAGE DROP	ISOLATE IMPEDENCE	DIELECTRIC STRENGTH INPUT-OUTPUT	DIELECTRIC STRENGTH INPUT-OUTPUT-CASE	TURN ON TIME	TURN OFF TIME	CAPACITANCE IN-OUT	WEIGHT (g)
SDA-200A008S-5R	200 V/ μ sec	2.0Vrms	10 ⁹ Ω	2500 VACrms	—	LESS 2 msec	LESS 1/2 AC CYCLE	LESS 15 PF	12 g
SDA-200A012S-5R	200 V/ μ sec	2.0Vrms	10 ⁹ Ω	2500 VACrms	—	LESS 2 msec	LESS 1/2 AC CYCLE	LESS 15 PF	12 g
SDA-200A016S-5R	200 V/ μ sec	2.0Vrms	10 ⁹ Ω	2500 VACrms	—	LESS 2 msec	LESS 1/2 AC CYCLE	LESS 15 PF	12 g

Parts No.

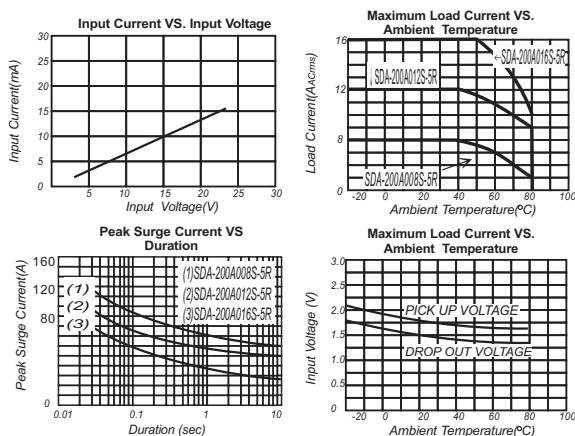
SDA-200A008S-5R

Switching Type : R = Random Switching
 Packing : 5 = SIP of IC Packing Type
 Phase : S = Single Phase
 Loading Current : 008 = 8A, 012 = 12A, 016 = 16A
 Control Voltage : A = 3-32VDC
 Loading Voltage : 200 = 24~280VAC
 Control Type : DA = DC Control AC
 S = S.S.R

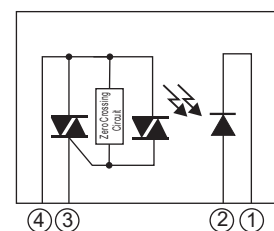
Outline Dimensions(Unit : mm)



Characteristic Curves



Equivalent Circuit



1. Input Circuit
2. Photo Detector
3. Zero-Crossing Circuit
4. Output Circuit