



## 2000W Single Output With Parallel Function

## SCN-2K0 series



## ■ Features :

- AC input 200~260VAC, 3 $\phi$  3wires (other system available)
- Protections: Short circuit / Overload / Over voltage / Over temp.
- High reliability; Low ripple noise
- Built-in remote sense function
- Built-in remote ON-OFF control
- Built-in parallel operation function
- Can adjust from 20~100% output voltage by external control 1-5V
- Forced air cooling by built-in DC fan
- Case coating with paint
- 2 years warranty

Parallel

## SPECIFICATION

ORDER NO.	SCN-2K0-05	SCN-2K0-12	SCN-2K0-15	SCN-2K0-24	SCN-2K0-48	
OUTPUT	SAFETY MODEL NO.	2K0S-N005	2K0S-N012	2K0S-N015	2K0S-N024	2K0S-N048
	DC VOLTAGE	5V	12V	15V	24V	48V
	RATED CURRENT	250A	167A	134A	83.5A	42A
	CURRENT RANGE	0 ~ 250A	0 ~ 167A	0 ~ 134A	0 ~ 83.5A	0 ~ 42A
	RATED POWER	1250W	2004W	2010W	2004W	2016W
	RIPPLE & NOISE (max.) Note.2	150mVp-p	180mVp-p	200mVp-p	240mVp-p	480mVp-p
	VOLTAGE ADJ. RANGE	5.0% typical adjustment by potentiometer		20~100% adjustment by 1~5VDC external control		
	VOLTAGE TOLERANCE Note.3	3.0%	2.0%	2.0%	1.0%	1.0%
	LINE REGULATION	0.5%	0.5%	0.5%	0.5%	0.5%
	LOAD REGULATION	2.5%	1.5%	1.5%	0.5%	0.5%
SETUP, RISE, HOLD UP TIME	800ms, 50ms, 16ms at full load					
INPUT	VOLTAGE RANGE	200 ~ 260VAC, 3 $\phi$ , 3wires				
	FREQUENCY RANGE	47 ~ 63Hz				
	EFFICIENCY (Typ.)	78%	84%	84%	85%	86%
	AC CURRENT	10A / 230VAC				
	INRUSH CURRENT (max.)	120A / 230VAC				
	LEAKAGE CURRENT (max.)	5mA / 240VAC				
PROTECTION	OVERLOAD	110 ~ 135% rated output power Protection type : Current limiting, delay shut down o/p voltage, re-power on to recover				
	OVER VOLTAGE	110 ~ 135% follow to output set up point Protection type : Shut down o/p voltage, re-power on to recover				
	OVER TEMPERATURE	>100 $^{\circ}$ C / measure by heat sink, near transformer Protection type : Shut down o/p voltage, re-power on to recover				
ENVIRONMENT	WORKING TEMP.	-10 ~ +65 $^{\circ}$ C (Refer to output load derating curve)				
	WORKING HUMIDITY	20% ~ 90% RH non-condensing				
	STORAGE TEMP., HUMIDITY	-20 ~ +85 $^{\circ}$ C, 10 ~ 95% RH				
	TEMP. COEFFICIENT	0.04% / $^{\circ}$ C (0 ~ 50 $^{\circ}$ C)				
	VIBRATION	10 ~ 200Hz, 2G 10min./1cycle, period for 60min. each along X, Y, Z axes				
SAFETY & EMC (Note. 4)	SAFETY STANDARDS	Design refer to UL1950, CSA22.2, IEC60950				
	WITHSTAND VOLTAGE	I/P-O/P:1500VAC, I/P-FG:1500VAC				
	ISOLATION RESISTANCE	I/P-O/P, I/P-FG, >100M Ohms / 500VDC / 25 $^{\circ}$ C / 70% RH				
	EMI CONDUCTION & RADIATION	Design refer to FCC part 15 class A				
	HARMONIC CURRENT	----				
	EMS IMMUNITY	----				
OTHERS	MTBF	30khrs min. MIL-HDBK-217F (25 $^{\circ}$ C)				
	DIMENSION	320*212*134mm (L*W*H)				
	PACKING	9.0kg; 1pcs/ 10kg / CARTON				
	SPECIAL FUNCTION	DC voltage adj., Remote sensing, remote control, parallel operation (refer to terminal instruction manual)				
NOTE	<p>1. All parameters are specified at 230VAC input, rated load, 25<math>^{\circ}</math>C 70% RH ambient.</p> <p>2. Tolerance: includes set up tolerance, line regulation, load regulation.</p> <p>3. Ripple &amp; noise are measured at 20MHz by using a 12" twisted pair terminated with a 0.1<math>\mu</math>f &amp; 47<math>\mu</math>f capacitor.</p> <p>4. The power supply is considered a component which will be installed into a final equipment. The final equipment must be re-confirmed that it still meets EMC directives.</p>					

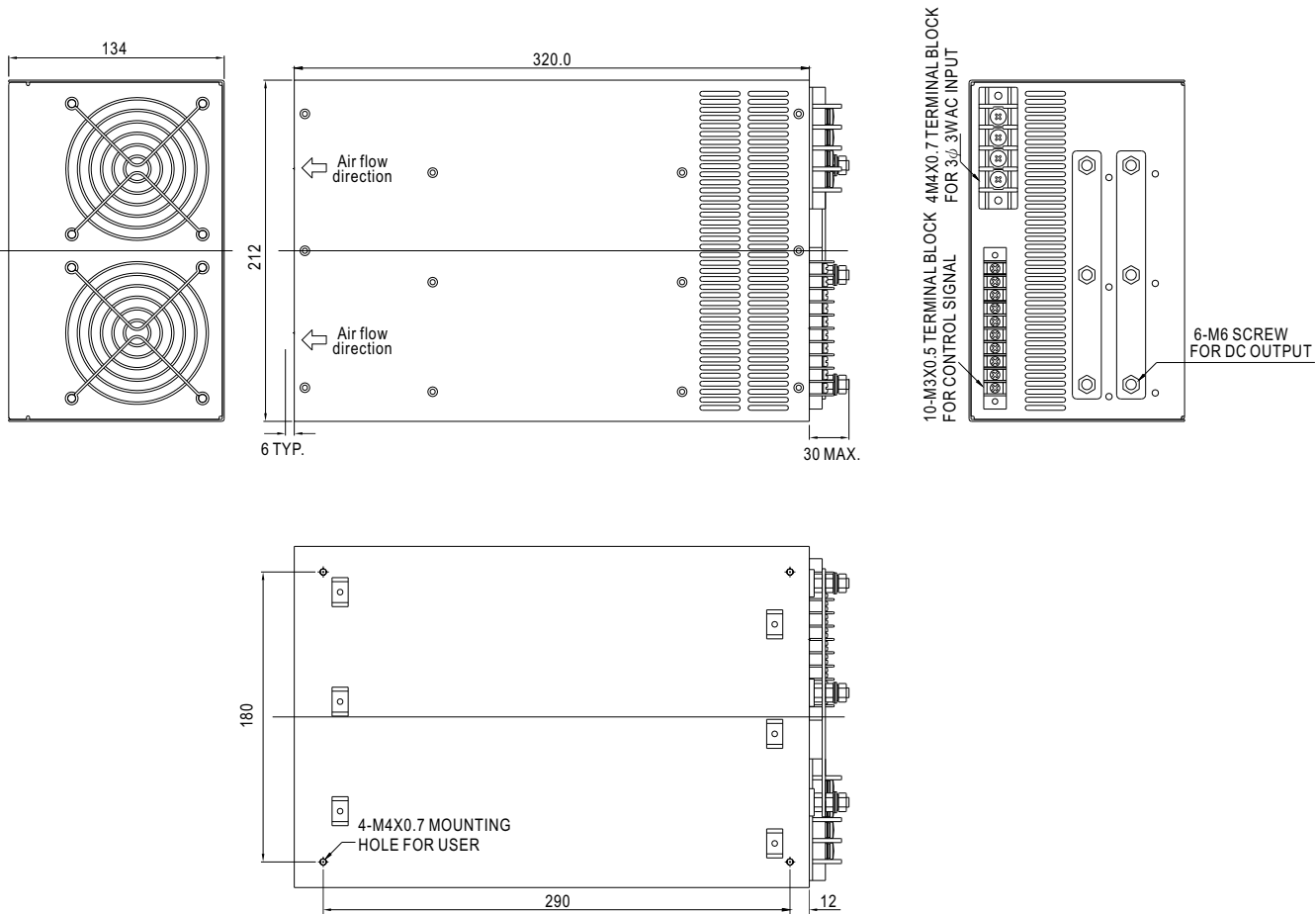
File Name:SCN-2K0-SPEC 2007-11-01



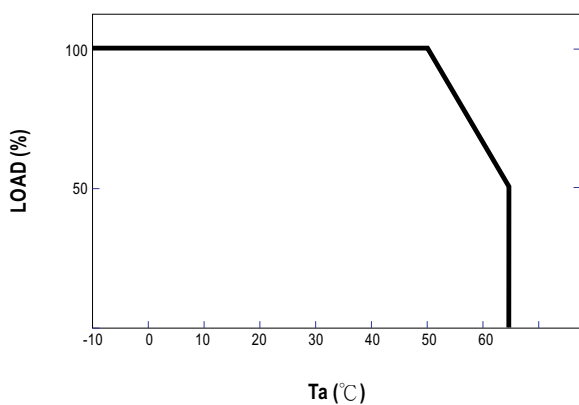
2000W Single Output With Parallel Function

SCN-2K0 series

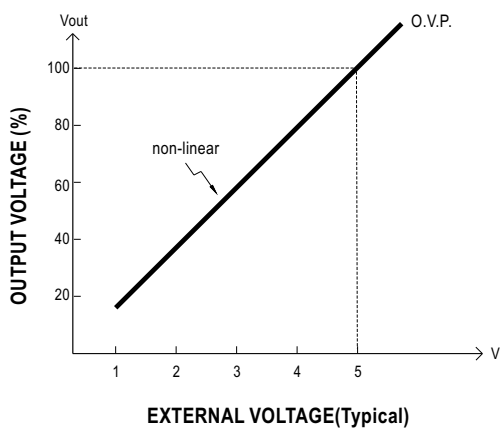
**Mechanical Specification**



**Derating Curve**



**External DC Control VS Output Voltage**

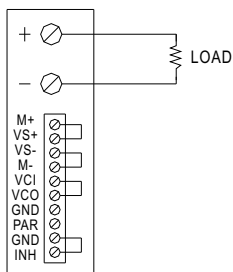




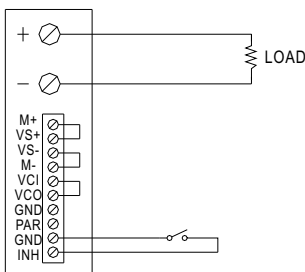
2000W Single Output With Parallel Function

SCN-2K0 series

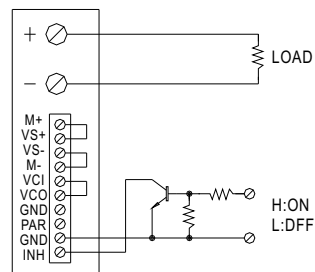
Control terminal instruction manual



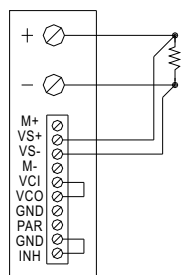
USING INTERNAL VOLTAGE CONTROL



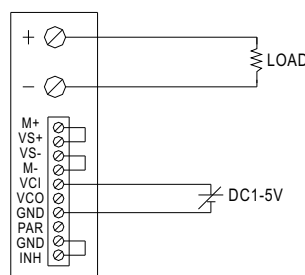
ON/OFF CONTROL SWITCH



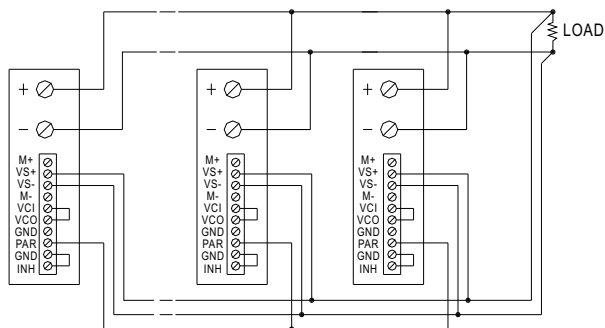
ON/OFF CONTROL BY TRANSISTOR



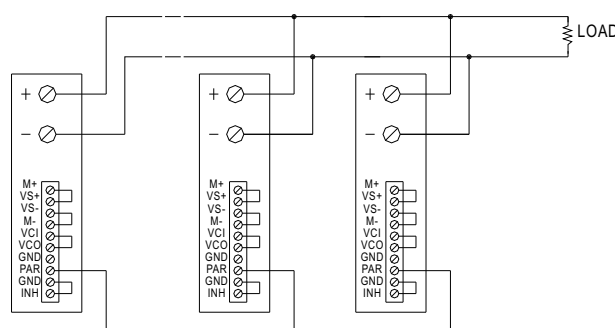
REMOTE SENSING



OUTPUT VOLTAGE ADJUST WITH DC 1-5V



PARALLEL OPERATION WITH REMOTE SENSING



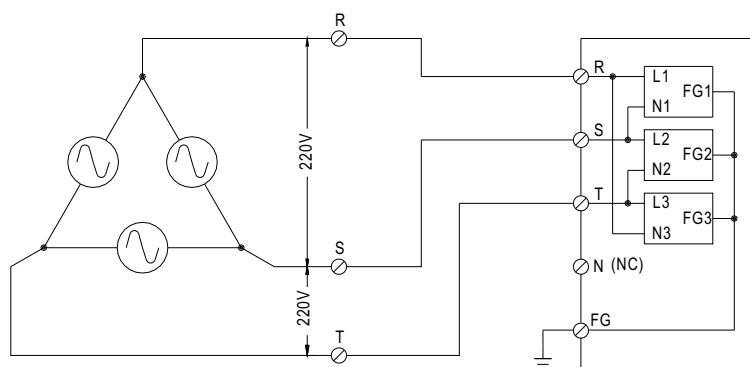
PARALLEL OPERATION



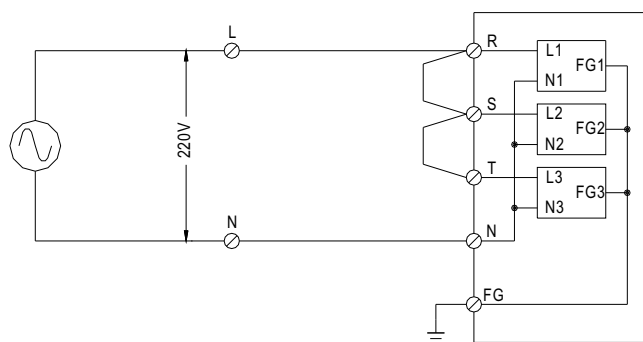
2000W Single Output With Parallel Function

**SCN-2K0 series**

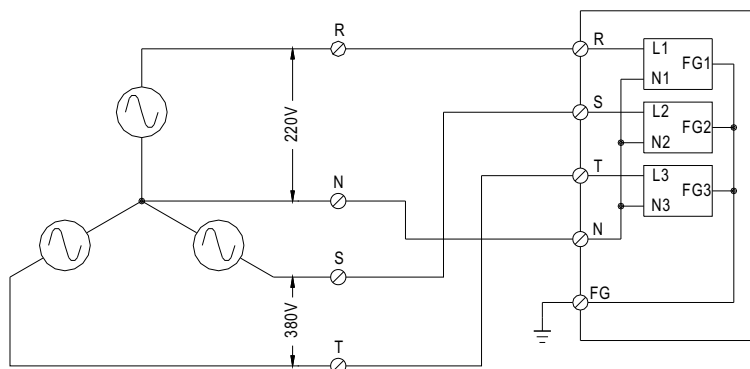
■ FIG. A: 3 φ 3W 220VAC SYSTEM (STANDARD MODEL FOR STOCK)



■ FIG. B: 1 φ 220VAC SYSTEM



■ FIG. C: 3 φ 4W 220/380VAC SYSTEM



■ FIG. D: 3 φ 4W 190/110VAC SYSTEM

