



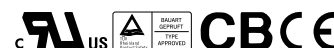
## 60W Isolated Triple Output Switching Power Supply

## IT-60 series



## ■ Features :

- Isolated output & GND for CH1,CH2,CH3
- Universal AC input/Full range
- Protections:Short circuit/Over load/Over voltage
- LED indicator for power on
- 100% full load burn-in test
- Fixed switching frequency at 67KHz
- 2 years warranty



## SPECIFICATION

MODEL		IT-60D			IT-60F		
OUTPUT	OUTPUT	CH1	CH2	CH3	CH1	CH2	CH3
	DC VOLTAGE	5V	12V	24V	5V	15V	24V
	RATED CURRENT	3A	0.8A	1.4A	3A	0.8A	1.3A
	CURRENT RANGE	0.5 ~ 3A	0.1 ~ 1A	0.2 ~ 2A	0.5 ~ 3A	0.1 ~ 1A	0.2 ~ 2A
	RATED POWER	58.2W			58.2W		
	PEAK LOAD (3sec.) Note.4	70W			70W		
	RIPPLE & NOISE (max.) Note.2	80mVp-p	120mVp-p	240mVp-p	80mVp-p	150mVp-p	240mVp-p
	VOLTAGE ADJ. RANGE	CH1 : 4.75 ~ 5.5V			CH1 : 4.75 ~ 5.5V		
	VOLTAGE TOLERANCE Note.3	±3.0%	±8.0%	±8.0%	±3.0%	±8.0%	±8.0%
	LINE REGULATION	±1.0%	±2.0%	±2.0%	±1.0%	±2.0%	±2.0%
	LOAD REGULATION	±2.0%	±5.0%	±5.0%	±2.0%	±5.0%	±5.0%
	SETUP, RISE TIME	300ms, 20ms/230VAC    800ms, 20ms/115VAC at full load			300ms, 20ms/230VAC    800ms, 20ms/115VAC at full load		
	HOLD TIME (Typ.)	80ms/230VAC    18ms/115VAC at full load			80ms/230VAC    18ms/115VAC at full load		
INPUT	VOLTAGE RANGE	90 ~ 264VAC    127 ~ 370VDC		90 ~ 264VAC    127 ~ 370VDC			
	FREQUENCY RANGE	47 ~ 63Hz		47 ~ 63Hz			
	EFFICIENCY(Typ.)	76%		76%			
	AC CURRENT (Typ.)	1.8A/115VAC	0.9A/230VAC		1.8A/115VAC	0.9A/230VAC	
	INRUSH CURRENT (Typ.)	COLD START 20A/115VAC    40A/230VAC		COLD START 20A/115VAC    40A/230VAC			
LEAKAGE CURRENT	<1mA / 240VAC		<1mA / 240VAC				
PROTECTION	OVER LOAD	72 ~ 90W rated output power					
		Protection type : Hiccup mode, recovers automatically after fault condition is removed					
	OVER VOLTAGE	5V: 5.75 ~ 6.75V					
		Protection type : Hiccup mode, recovers automatically after fault condition is removed					
ENVIRONMENT	WORKING TEMP.	-10 ~ +60°C (Refer to output load derating curve)					
	WORKING HUMIDITY	20 ~ 90% RH non-condensing					
	STORAGE TEMP., HUMIDITY	-20 ~ +85°C, 10 ~ 95% RH					
	TEMP. COEFFICIENT	±0.03%/°C (0 ~ 50°C)on +5V output					
	VIBRATION	10 ~ 500Hz, 2G 10min./1cycle, period for 60min. each along X, Y, Z axes					
SAFETY & EMC (Note 5)	SAFETY STANDARDS	UL60950-1, TUV EN60950-1 Approved					
	WITHSTAND VOLTAGE	I/P-O/P:3KVAC    I/P-FG:1.5KVAC    O/P-FG:0.5KVAC					
	ISOLATION RESISTANCE	I/P-O/P, I/P-FG, O/P-FG:100M Ohms/500VDC					
	EMI CONDUCTION & RADIATION	Compliance to EN55022 (CISPR22) Class B					
	HARMONIC CURRENT	Compliance to EN61000-3-2,-3					
	EMS IMMUNITY	Compliance to EN61000-4-2,3,4,5,6,8,11, ENV50204, EN55024, Light industry level, criteria A					
OTHERS	MTBF	314.3K hrs min.    MIL-HDBK-217F (25°C)					
	DIMENSION	159*97*38mm (L*W*H)					
	PACKING	0.51Kg; 24pcs/13.2Kg/0.75CUFT					
NOTE	<ol style="list-style-type: none"> <li>1. All parameters NOT specially mentioned are measured at 230VAC input, rated load and 25°C of ambient temperature.</li> <li>2. Ripple &amp; noise are measured at 20MHz of bandwidth by using a 12" twisted pair-wire terminated with a 0.1uf &amp; 47uf parallel capacitor.</li> <li>3. Tolerance : includes set up tolerance, line regulation and load regulation.</li> <li>4. 5% Duty cycle maximum within every 1min. Average output power should not exceed the rated power.</li> <li>5. The power supply is considered a component which will be installed into a final equipment. The final equipment must be re-confirmed that it still meets EMC directives.</li> </ol>						

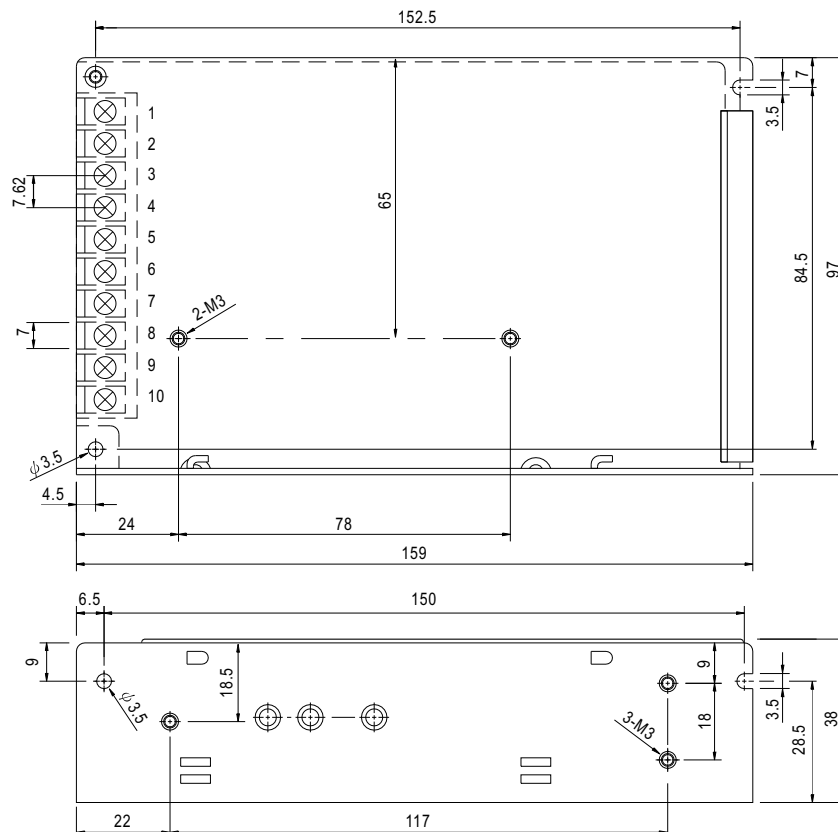


# 60W Isolated Triple Output Switching Power Supply

# IT-60 series

## Mechanical Specification

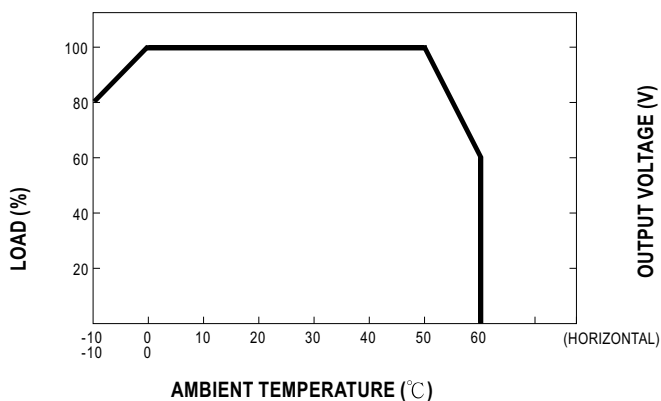
Case No. 901 Unit:mm



Terminal Pin. No Assignment

Pin No.	Assignment	Pin No.	Assignment	Pin No.	Assignment
1	AC/L	5	DC OUTPUT G2	9	DC OUTPUT G1
2	AC/N	6	DC OUTPUT +V2	10	DC OUTPUT +5V
3	FG $\perp$	7	DC OUTPUT G3		
4	NC	8	DC OUTPUT +V3		

## Output Derating



## Static Characteristics

