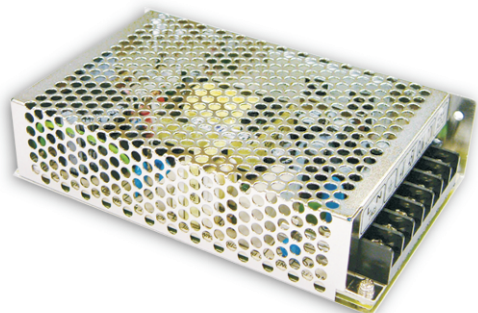




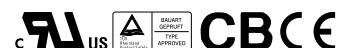
60W Isolated Dual Output Switching Power Supply

ID-60B



■ Features :

- Isolated output & GND for CH1,CH2
- Universal AC input/Full range
- Protections:Short circuit/Over load/Over voltage
- Coolig by free air convection
- 100% full load burn-in test
- Fixed switching frequency at 54KHz
- 2 years warranty



SPECIFICATION

MODEL		ID-60B	
OUTPUT	OUTPUT NUMBER	CH1	CH2
	DC VOLTAGE	5V	24V
	RATED CURRENT	3A	1.8A
	CURRENT RANGE	0.3 ~ 6A	0.2 ~ 2.2A
	RATED POWER	58W	
	RIPPLE & NOISE (max.) Note.2	100mVp-p	240mVp-p
	VOLTAGE ADJ. RANGE	CH1 : 4.75 ~ 5.5V	
	VOLTAGE TOLERANCE Note.3	±2.0%	±8.0%
	LINE REGULATION	±0.5%	±1.0%
	LOAD REGULATION	±0.5%	±5.0%
SETUP, RISE TIME	300ms, 50ms/230VAC 800ms, 50ms/115VAC at full load		
HOLD TIME (Typ.)	90ms/230VAC 10ms/115VAC at full load		
INPUT	VOLTAGE RANGE	85 ~ 264VAC	120 ~ 370VDC
	FREQUENCY RANGE	47 ~ 63Hz	
	EFFICIENCY (Typ.)	76%	
	AC CURRENT (Typ.)	2A/115VAC	1A/230VAC
	INRUSH CURRENT (Typ.)	COLD START 25A/115VAC	45A/230VAC
LEAKAGE CURRENT	<1mA / 240VAC		
PROTECTION	OVER LOAD	105% ~ 150% rated output power Protection type : Hiccup mode, recovers automatically after fault condition is removed	
	OVER VOLTAGE	CH1: 5.75 ~ 6.75V Protection type : Hiccup mode, recovers automatically after fault condition is removed	
ENVIRONMENT	WORKING TEMP.	-10 ~ +60°C (-10°C 80% load, 60°C 60% load)	
	WORKING HUMIDITY	20 ~ 90% RH non-condensing	
	STORAGE TEMP., HUMIDITY	-20 ~ +85°C, 10 ~ 95% RH	
	TEMP. COEFFICIENT	±0.03%/°C (0 ~ 50°C) on +5V output	
VIBRATION	10 ~ 500Hz, 2G 10min./1cycle, period for 60min. each along X, Y, Z axes		
SAFETY & EMC (Note 4)	SAFETY STANDARDS	UL60950-1, TUV EN60950-1 Approved	
	WITHSTAND VOLTAGE	I/P-O/P:3KVAC I/P-FG:1.5KVAC O/P-FG:0.5KVAC	
	ISOLATION RESISTANCE	I/P-O/P, I/P-FG, O/P-FG:100M Ohms/500VDC	
	EMI CONDUCTION & RADIATION	Compliance to EN55022 (CISPR22) Class B	
	HARMONIC CURRENT	Compliance to EN61000-3-2,-3	
EMS IMMUNITY	Compliance to EN61000-4-2,3,4,5,6,8,11; ENV50204, EN55024, Light industry level, criteria A		
OTHERS	MTBF	320.9K hrs min. MIL-HDBK-217F (25°C)	
	DIMENSION	159*97*38mm (L*W*H)	
	PACKING	0.55Kg; 24pcs/13.9Kg/0.75CUFT	
NOTE	<p>1. All parameters NOT specially mentioned are measured at 230VAC input, rated load and 25°C of ambient temperature.</p> <p>2. Ripple & noise are measured at 20MHz of bandwidth by using a 12" twisted pair-wire terminated with a 0.1uf & 47uf parallel capacitor.</p> <p>3. Tolerance : includes set up tolerance, line regulation and load regulation.</p> <p>4. The power supply is considered a component which will be installed into a final equipment. The final equipment must be re-confirmed that it still meets EMC directives.</p>		

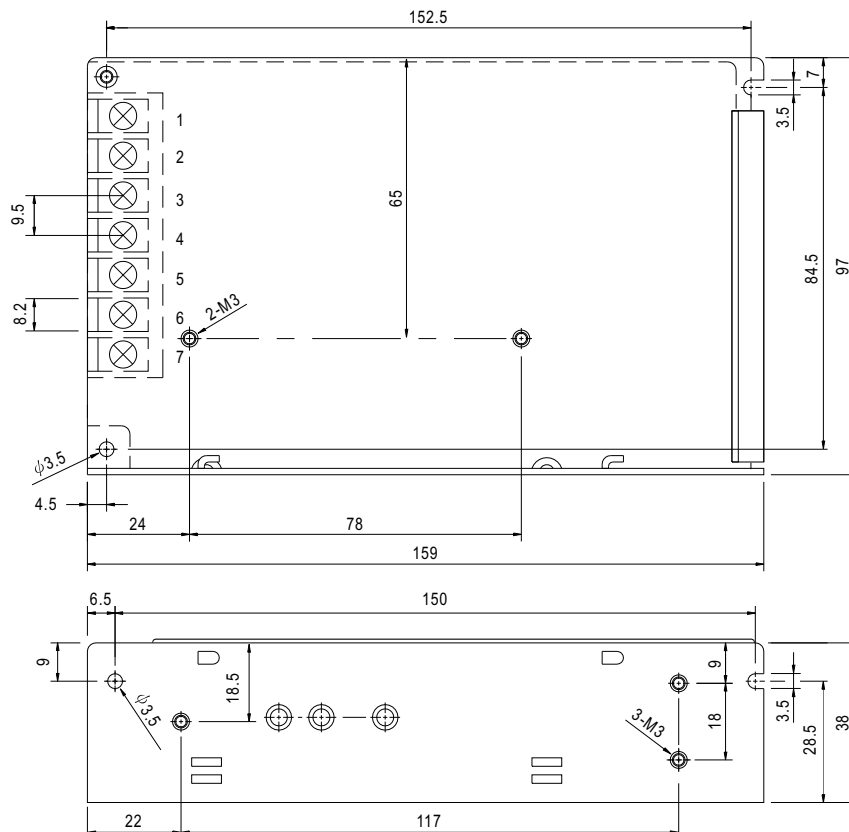


60W Isolated Dual Output Switching Power Supply

ID-60B

Mechanical Specification

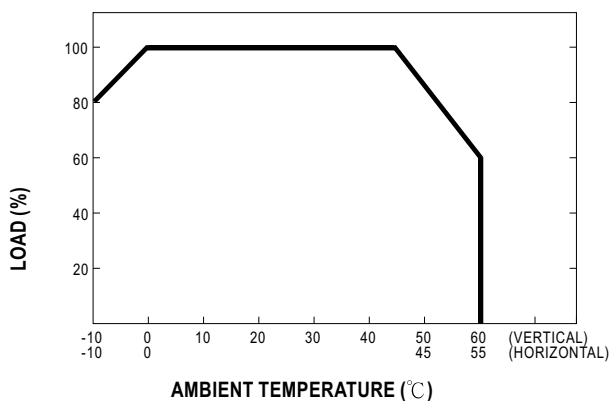
Case No. 901 Unit:mm



Terminal Pin. No Assignment

Pin No.	Assignment	Pin No.	Assignment
1	AC/L	5	DC OUTPUT G2
2	AC/N	6	DC OUTPUT +5V
3	FG \perp	7	DC OUTPUT G1
4	DC OUTPUT +V		

Output Derating



Static Characteristics

