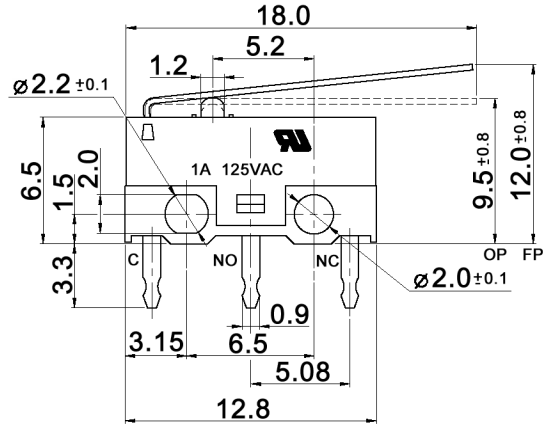
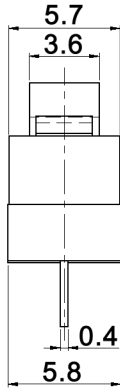


микрореле DM-03P DM3-03P-1 DM3-03P



Микрореле



DM-03P 125v. 1a

Микрореле



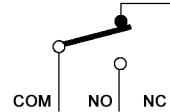
DM3-03P-1 125v 2a

Микрореле



DM3-03P 125v 1a

SCHEMATIC



Specifications:

- Contact rating: 1A, 125V AC; 30mA, 5V DC
- Contact resistance: 100mOhm max.
- Insulation resistance: 100MOhm min. at 500V DC
- Dielectric strength: 500V AC for 1 minute
- Operating temperature: -25°C to +65°C
- Mechanical life: 500 000 cycles
- Electrical life: 10 000 cycles
- Operating force: 25 +/-15gf
- Material: Base / case / button: PBT  
Lever: SUS301  
Spring plate: C1720  
Contact: silver  
Terminal: copper alloy, silver plated



Tolerances: ±0.2mm			Date	Name
			12/10	dr
Modifications	Date	Name		

DM-DM-03P-25

knitter-switch

30 22 64

Page

1/1