



## 50W Dual Output Switching Power Supply

## D-50 series



## ■ Features :

- AC input selectable by switch
- Protections: Short circuit/Over load
- Cooling by free air convection
- 100% full load burn-in test
- Fixed switching frequency at 24KHz I/P-O/P:Rated
- 1 year warranty

## SPECIFICATION

MODEL		D-50A		D-50B	
OUTPUT	DC VOLTAGE	5V	12V	5V	24V
	RATED CURRENT	6A	2A	6A	1A
	CURRENT RANGE	1 ~ 6A	0.3 ~ 2A	1 ~ 6A	0.2 ~ 1A
	RATED POWER	54W		54W	
	RIPPLE & NOISE (max.) Note.2	50mVp-p	100mVp-p	50mVp-p	100mVp-p
	VOLTAGE ADJ. RANGE	CH1 : 4.75 ~ 5.5V		CH1 : 4.75 ~ 5.5V	
	VOLTAGE TOLERANCE Note.3	±2.0%	+5,-8%	±2.0%	±8.0%
	LINE REGULATION	±0.5%	±1.0%	±0.5%	±1.0%
	LOAD REGULATION	±0.5%	±5.0%	±0.5%	±8.0%
SETUP, RISE, HOLD TIME	200ms, 100ms, 20ms at full load				
INPUT	VOLTAGE RANGE	85 ~ 132VAC/170 ~ 264VAC selected by switch		240 ~ 370VDC	
	FREQUENCY RANGE	47 ~ 63Hz			
	EFFICIENCY(Typ.)	73%		73%	
	AC CURRENT	1.3A/115VAC	0.65A/230VAC		
	INRUSH CURRENT(max.)	COLD START 18A/115VAC	36A/230VAC		
	LEAKAGE CURRENT	<0.5mA / 240VAC			
PROTECTION	OVER LOAD	105 ~ 150% rated output power			
		Protection type : Fold back current limiting, recovers automatically after fault condition is removed			
ENVIRONMENT	WORKING TEMP.	-10 ~ +60°C (Refer to output load derating curve)			
	WORKING HUMIDITY	20 ~ 90% RH non-condensing			
	STORAGE TEMP., HUMIDITY	-20 ~ +85°C, 10 ~ 95% RH			
	TEMP. COEFFICIENT	±0.03%/°C (0 ~ 50°C) on +5V output			
	VIBRATION	10 ~ 500Hz, 2G 10min./1cycle, period for 60min. each along X, Y, Z axes			
SAFETY & EMC	SAFETY STANDARDS	Design refer to UL1012			
	WITHSTAND VOLTAGE	I/P-O/P:1.5KVAC I/P-FG:1.5KVAC		O/P-FG:0.5KVAC	
	ISOLATION RESISTANCE	I/P-O/P, I/P-FG, O/P-FG:100M Ohms/500VDC			
	EMI CONDUCTION & RADIATION	Design refer to FCC Part15 J Conduction			
OTHERS	MTBF	408.9K hrs min. MIL-HDBK-217F (25°C)			
	DIMENSION	159*97*38mm (L*W*H)			
	PACKING	0.53Kg; 24pcs/13.6Kg/0.75CUFT			
NOTE	1. All parameters NOT specially mentioned are measured at 230VAC input, rated load and 25°C of ambient temperature. 2. Ripple & noise are measured at 20MHz of bandwidth by using a 12" twisted pair-wire terminated with a 0.1uf & 47uf parallel capacitor. 3. Tolerance : includes set up tolerance, line regulation and load regulation.				

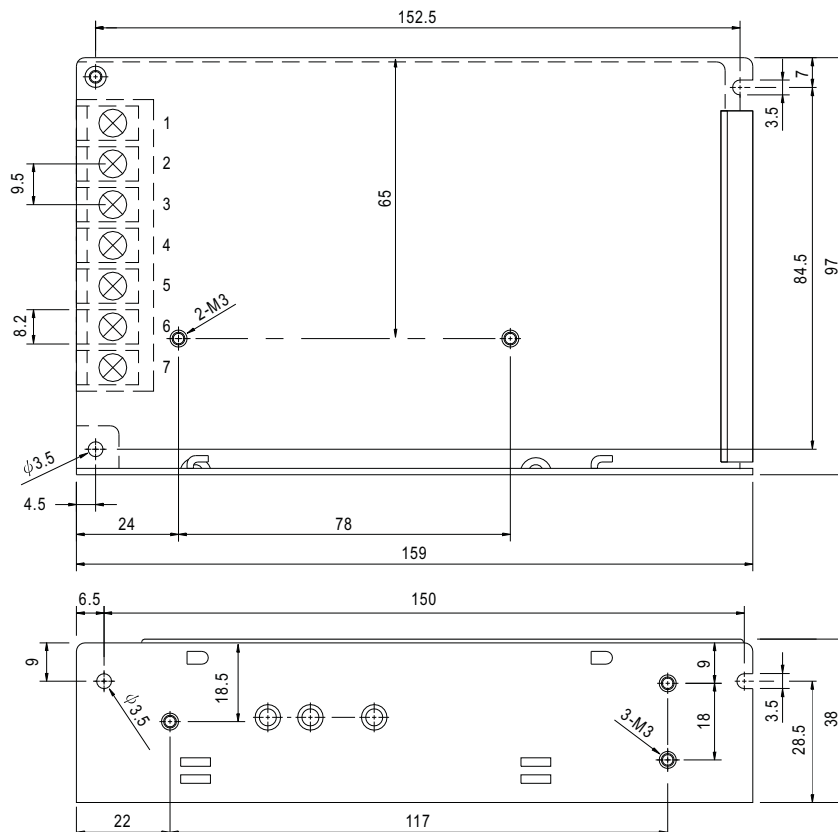


50W Dual Output Switching Power Supply

D-50 series

■ Mechanical Specification

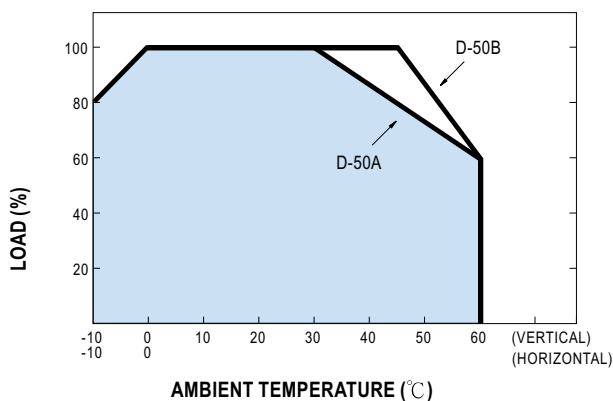
Case No. 901 Unit:mm



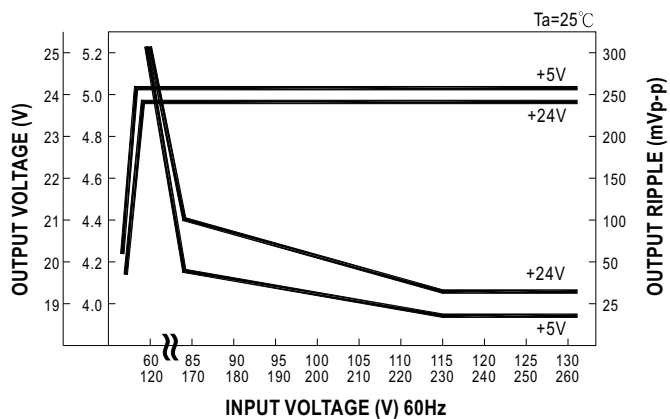
Terminal Pin. No Assignment

Pin No.	Assignment	Pin No.	Assignment
1	AC/L	4	DC OUTPUT +V2
2	AC/N	5,6	DC OUTPUT COM
3	FG	7	DC OUTPUT +V1

■ Output Derating



■ Static Characteristics (B)



File Name:D-50-SPEC 2004-06-30