




# 60x60x25 mm

## 17.5~18 CFM



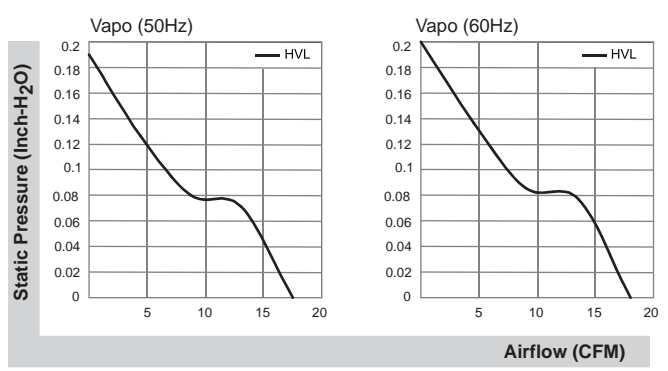
### Specifications

|  P/N | Bearing | Rating Voltage<br>(VAC) | Freq.<br>(Hz) | Power Current<br>(AMP) | Power Consumption<br>(WATTS) | Speed<br>(RPM) | Air Flow<br>(CFM) | Static Pressure<br>(Inch-H <sub>2</sub> O) | Noise<br>(dB(A)) | Weight<br>(g) |
|---|---------|-------------------------|---------------|------------------------|------------------------------|----------------|-------------------|--|------------------|---------------|
|   |         |                         |               |                        |                              |                |                   |  |                  |               |
| MA1062-HVL GN   | ●       | 115                     | 50/60         | 0.191/0.185            | 3.6/3.6                      | 4100/4200      | 17.5/18           | 0.19/0.20                                  | 30/31            | 81            |
| MA2062-HVL GN   | ●       | 220-240                 | 50/60         | 0.198/0.211            | 4.1/4.4                      | 4100/4200      | 17.5/18           | 0.19/0.20                                  | 30/31            | 81            |

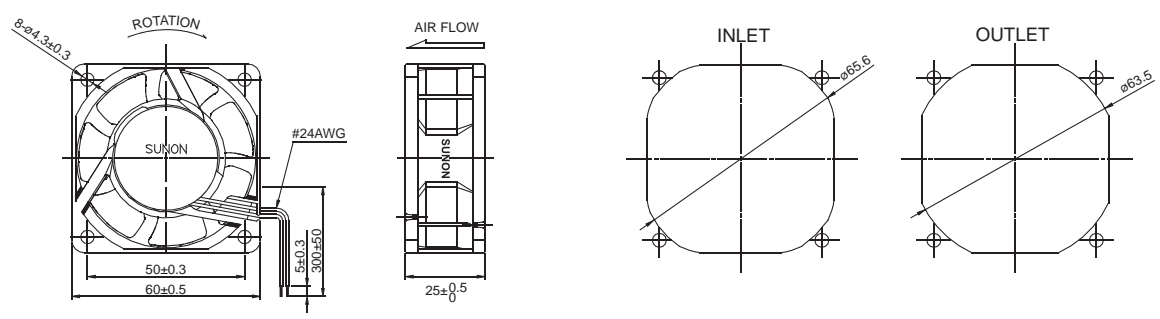
Frame : PBT Plastic

Safety : UL-CUL/TUV/CE/CCC/BSMI

### Air Flow-Static Pressure Characteristics



### External dimensions(mm)



\*All model could be customized. Please contact with Sunon Sales.

\*Specifications are subject to change without notice. Please Visit SUNON website at <http://www.sunon.com> for update information.