

Компания FUJI ELECTRIC CO. Ltd



Предлагаем IGBT СИЛОВЫЕ МОДУЛИ FUJI ELECTRIC и другие ЭЛЕКТРОННЫЕ КОМПОНЕНТЫ (радиодетали) СО СКЛАДА И ПОД ЗАКАЗ  
Беларусь г.Минск тел./факс 8(017)200-56-46  
www.fotorele.net e:mail minsk17@tut.by

FUJI ELECTRIC CO. Ltd, Япония, основана в 1923 году и работает в различных областях бизнеса. Общее количество сотрудников — более 15 тысяч человек, более 120 производственных отделений и сервисных центров работает по всему миру. В продукции доля дискретных силовых полупроводников составляет около 50%, доля силовых модулей — 28%, интегральных микросхем — 22%. Fuji Semiconductor, Inc. является подраз-делением FUJI ELECTRIC CO.

Продукция

Силовые IGBT-модули с предельными параметрами до 1800 В и рабочими токами до 800 А (при этих значениях напряжение насыщения — менее 4,5 В).

Диодные модули с предельными параметрами до 1600 В и рабочи-ми токами до 300 А. Интеллектуальные силовые модули (IPM).

Интегрированные силовые модули (PIM).

Мощные MOSFET транзисторы с рабочими напряжениями до 1000 В.

Диоды с барьером Шоттки, высоковольтные диоды (до 20 кВ), высоковольтные диоды с быстрым восстановлением, диоды с малы-ми потерями.

Биполярные транзисторы. Защитные устройства. Интегральные микросхемы для преобразовательной техники, источников питания, корректоров мощности.

Частотные преобразователи, законченные силовые узлы.

FUJI ELECTRIC Силовые IGBT-модули mosfet модуль модули modul Catalog продажа в Минске Беларусь datasheet pdf Техническая документация описание фото рис. маркировка габариты размер параметры применение

=====



Innovating Energy Technology

**RoHS:** If the last two figures after hyphen of product name are from 50 through 99, the product is compatible with EU RoHS Directive.

For example "7MBR50VP060-50"

*для получения файла справки datasheet pdf Технической документации( описание )нажмите(кликните) по наименованию необходимого компонента*

Package	IC Amps.	600V		1200V	
		U Series (Gen.5) Trench/Planar-NPT	V Series (Gen.6)Trench-FS	U Series (Gen.5)Trench-FS	V Series (Gen.6)Trench-FS
 M711 107.5 x 45.0	25			<a href="#">7MBR25UA120</a>	<a href="#">7MBR25VA120-50</a>
	30	<a href="#">7MBR30U2A060</a>			
	35			<a href="#">7MBR35UA120</a>	<a href="#">7MBR35VA120-50</a>
	50	<a href="#">7MBR50U2A060</a>	<a href="#">7MBR50VA060-50</a>	<a href="#">7MBR50UA120</a>	
 M712 122.0 x 62.0	35			<a href="#">7MBR35UB120</a>	<a href="#">7MBR35VB120-50</a>
	50			7MBR50UB120	<a href="#">7MBR50VB120-50</a>
	75	<a href="#">7MBR75U2B060</a>	<a href="#">7MBR75VB060-50</a>	7MBR75U4B120	<a href="#">7MBR75VB120-50</a>
	100	<a href="#">7MBR100U2B060</a>	<a href="#">7MBR100VB060-50</a>	7MBR100U4B120	
 M719 107.5 x 45.0	25				<a href="#">7MBR25VM120-50</a> <a href="#">7MBR25VP120-50</a>
	35				<a href="#">7MBR35VM120-50</a> <a href="#">7MBR35VP120-50</a>
	50		<a href="#">7MBR50VP060-50</a>		<a href="#">7MBR50VM120-50</a> <a href="#">7MBR50VP120-50</a>
	75		<a href="#">7MBR75VP060-50</a>		
	100		<a href="#">7MBR100VP060-50</a>		
 M720 122.0 x 62.0	50				<a href="#">7MBR50VN120-50</a> <a href="#">7MBR50VR120-50</a>
	75				<a href="#">7MBR75VN120-50</a> <a href="#">7MBR75VR120-50</a>
	100		<a href="#">7MBR100VR060-50</a>		<a href="#">7MBR100VN120-50</a> <a href="#">7MBR100VR120-50</a>
	150		<a href="#">7MBR150VR060-50</a>		<a href="#">7MBR150VN120-50</a> <a href="#">7MBR150VR120-50</a>
 M721 107.5 x 45.0	25				<a href="#">7MBR25VW120-50</a>
	35				<a href="#">7MBR35VW120-50</a>
	50				<a href="#">7MBR50VW120-50</a>
 M722 122.0 x 62.0	50				<a href="#">7MBR50VX120-50</a> <a href="#">7MBR50VZ120-50</a>
	75				<a href="#">7MBR75VX120-50</a>
	100		<a href="#">7MBR100VZ060-50</a>		<a href="#">7MBR100VX120-50</a>
	150				<a href="#">7MBR150VX120-50</a> <a href="#">7MBR150VZ120-50</a>

**RoHS:** If the last two figures after hyphen of product name are from 50 through 99, the product is compatible with EU RoHS Directive.

For example "7MBR50VP060-50"

для получения файла справки datasheet pdf Технической документации (описание) нажмите(кликните) по наименованию необходимого компонента

	Package	IC Amps.	600V	1200V
			V Series (Gen.6) Trench-FS	V Series (Gen.6) Trench-FS
6-Pack Without Brake Chopper	P629  70.0 x 49.5	10		<a href="#">6MBP10VAA120-50</a>
		15		<a href="#">6MBP15VAA120-50</a>
		20	<a href="#">6MBP20VAA060-50</a>	
		25		<a href="#">6MBP25VAA120-50</a>
		30	<a href="#">6MBP30VAA060-50</a>	
		50	<a href="#">6MBP50VAA060-50</a>	
	P626  77.0 x 50.2	25		<a href="#">6MBP25VBA120-50</a>
		35		<a href="#">6MBP35VBA120-50</a>
		50	<a href="#">6MBP50VBA060-50</a>	<a href="#">6MBP50VBA120-50</a>
		75	<a href="#">6MBP75VBA060-50</a>	
6-Pack Without Brake Chopper	P630  128.5 x 84.0	25		<a href="#">6MBP25VDA120-50</a>
		35		<a href="#">6MBP35VDA120-50</a>
		50	<a href="#">6MBP50VDA060-50</a>	<a href="#">6MBP50VDA120-50</a>
		75	<a href="#">6MBP75VDA060-50</a>	<a href="#">6MBP75VDA120-50</a>
		100	<a href="#">6MBP100VDA060-50</a>	<a href="#">6MBP100VDA120-50</a>
		150	<a href="#">6MBP150VDA060-50</a>	
		200	<a href="#">6MBP200VDA060-50</a>	
7-Pack With Brake Chopper	128.5 x 84.0	25		<a href="#">7MBP25VDA120-50</a>
		35		<a href="#">7MBP35VDA120-50</a>
		50	<a href="#">7MBP50VDA060-50</a>	<a href="#">7MBP50VDA120-50</a>
		75	<a href="#">7MBP75VDA060-50</a>	<a href="#">7MBP75VDA120-50</a>
		100	<a href="#">7MBP100VDA060-50</a>	<a href="#">7MBP100VDA120-50</a>
		150	<a href="#">7MBP150VDA060-50</a>	
		200	<a href="#">7MBP200VDA060-50</a>	
6-Pack Without Brake Chopper	P631  142.0 x 110.0	100		<a href="#">6MBP100VEA120-50</a>
		150		<a href="#">6MBP150VEA120-50</a>
		200	<a href="#">6MBP200VEA060-50</a>	<a href="#">6MBP200VEA120-50</a>
		300	<a href="#">6MBP300VEA060-50</a>	
		400	<a href="#">6MBP400VEA060-50</a>	
7-Pack With Brake Chopper	142.0 x 110.0	100		<a href="#">7MBP100VEA120-50</a>
		150		<a href="#">7MBP150VEA120-50</a>
		200	<a href="#">7MBP200VEA060-50</a>	<a href="#">7MBP200VEA120-50</a>
		300	<a href="#">7MBP300VEA060-50</a>	
		400	<a href="#">7MBP400VEA060-50</a>	

**RoHS:** If the last two figures after hyphen of product name are from 50 through 99, the product is compatible with EU RoHS Directive.



For example "7MBR50VP060-50"

*для получения файла справки datasheet pdf Технической документации( описание )нажмите(кликните) по наименованию необходимого компонента*

	Package	IC Amps.	1200V
			V Series (Gen.6) Trench-FS
High Speed 2-pack	M233  92.0 x 45.0	100	<a href="#">2MBI100HB-120-50</a>
	M249  108.0 x 62.0	150	<a href="#">2MBI150HH-120-50</a>
		200	<a href="#">2MBI200HH-120-50</a>
High Speed Chopper	M249  108.0 x 62.0	200	<a href="#">1MBI200HH-120L-50</a>
		300	<a href="#">1MBI300HH-120L-50</a>
		400	<a href="#">1MBI400HH-120L-50</a>


**RoHS:** If the last two figures after hyphen of product name are from 50 through 99, the product is compatible with EU RoHS Directive.  
 For example "7MBR50VP060-50"

*для получения файла справки datasheet pdf Технической документации (описание) нажмите (кликните) по наименованию необходимого компонента*

	Package	IC Amps.	600V		1200V	
			U Series (Gen.5) Planar-NPT	V Series (Gen.6) Trench-FS	U Series (Gen.5) Trench-FS	V Series (Gen.6) Trench-FS
Chopper	 M259 108.0 x 62.0	200			<a href="#">1MBI200U4H-120L-50</a>	
		300	<a href="#">1MBI300U2H-060L-50</a>			
	 M262 92.0 x 34.0	50			<a href="#">1MBI50U4F-120L-50</a>	
		75			<a href="#">1MBI75U4F-120L-50</a>	
		100			<a href="#">1MBI100U4F-120L-50</a>	

**RoHS:** If the last two figures after hyphen of product name are from 50 through 99, the product is compatible with EU RoHS Directive.  
For example "7MBR50VP060-50"

*для получения файла справки datasheet pdf Технической документации ( описание )нажмите(кликните) по наименованию необходимого компонента*

	Package	IC Amps.	600V	1200V
			V Series (Gen.6) Trench-FS	V Series (Gen.6) Trench-FS
A-NPC		300		<a href="#">4MBI300VG-120R-50</a>
		400	<a href="#">4MBI400VG-060R-50</a>	

**RoHS:** If the last two figures after hyphen of product name are from 50 through 99, the product is compatible with EU RoHS Directive.

For example "7MBR50VP060-50"


для получения файла справки datasheet pdf Технической документации (описание) нажмите (кликните) по наименованию необходимого компонента

	Package	IC Amps.	600V		1200V		1700V	
			U Series (Gen.5) Planar-NPT35UA	V Series (Gen.6) Trench-FS	U Series (Gen.5) Trench-FS	V Series (Gen.6) Trench-FS	U Series (Gen.5) Trench-FS	V Series (Gen.6) Trench-FS
With NTC	 M636 107.5 x 45.0	35			6MBI35U4A-120			
		50		<a href="#">6MBI50VA-060-50</a>	6MBI50U4A-120	<a href="#">6MBI50VA-120-50</a>		
		75	<a href="#">6MBI75U2A-060</a>	<a href="#">6MBI75VA-060-50</a>	6MBI75U4A-120	<a href="#">6MBI75VA-120-50</a>		
		 M633 122.0 x 62.0	100		<a href="#">6MBI100VA-060-50</a>		<a href="#">6MBI100VA-120-50</a>	
	75				6MBI75U4B-120			
	100		<a href="#">6MBI100U2B-060</a>		6MBI100U4B-120	<a href="#">6MBI100VB-120-50</a>	6MBI100U4B-170	
		 M647 107.5 x 45.0	150	<a href="#">6MBI150U2B-060</a>	<a href="#">6MBI150VB-060-50</a>	6MBI150U4B-120	<a href="#">6MBI150VB-120-50</a>	6MBI150U4B-170
	180					<a href="#">6MBI180VB-120-50</a>		
						<a href="#">6MBI180VB-120-55</a>		
		 M648 122.0 x 62.0	50		<a href="#">6MBI50VW-060-50</a>		<a href="#">6MBI50VW-120-50</a>	
	75			<a href="#">6MBI75VW-060-50</a>		<a href="#">6MBI75VW-120-50</a>		
	100			<a href="#">6MBI100VW-060-50</a>		<a href="#">6MBI100VW-120-50</a>		
	 M648 122.0 x 62.0	150		<a href="#">6MBI150VX-060-50</a>		<a href="#">6MBI150VX-120-50</a>		
180					<a href="#">6MBI180VX-120-50</a>			
					<a href="#">6MBI180VX-120-55</a>			
High-Power 6-Pack	 M629 150.0 x 162.0	225			6MBI225U4-120	<a href="#">6MBI225V-120-50</a>	6MBI225U4-170	
		300			6MBI300U4-120	<a href="#">6MBI300V-120-50</a>	6MBI300U4-170	6MBI300V-170-50
		450			6MBI450U4-120	<a href="#">6MBI450V-120-50</a>	6MBI450U4-170	6MBI450V-170-50
		550				<a href="#">6MBI550V-120-50</a>		

**RoHS:** If the last two figures after hyphen of product name are from 50 through 99, the product is compatible with EU RoHS Directive.

For example "7MBR50VP060-50"

*для получения файла справки datasheet pdf Технической документации ( описание ) нажмите(кликните) по наименованию необходимого компонента* \*1 - Tc=80°C

	Package	IC Amps.	600V	1200V
			T Series (Gen.4) Planar-NPT	U Series (Gen.5)*1 Planar-NPT
Standard 4-Pack  107.5 x 45.0	M711	75	4MBI75T-060	
		100	4MBI100T-060	
	M712	150	4MBI150T-060	
		200	4MBI200T-060	












**RoHS:** If the last two figures after hyphen of product name are from 50 through 99, the product is compatible with EU RoHS Directive.



For example "7MBR50VP060-50"

для получения файла справки datasheet pdf Технической документации (описание) нажмите (кликните) по наименованию необходимого компонента

Package	IC Amps.	600V		1200V		1700V	
		U Series (Gen.5) Planar-NPT	V Series (Gen.6) Trench-FS	U Series (Gen.5) Trench-FS	V Series (Gen.6) Trench-FS	U Series (Gen.5) Trench-FS	V Series (Gen.6) Trench-FS
 M232 92.0 x 34.0	75			2MBI75U4A-120	<a href="#">2MBI75VA-120-50</a>		
	100		<a href="#">2MBI100VA-060-50</a>	2MBI100U4A-120	<a href="#">2MBI100VA-120-50</a>		
	150	<a href="#">2MBI150U2A-060</a>	<a href="#">2MBI150VA-060-50</a>	2MBI150U4A-120	<a href="#">2MBI150VA-120-50</a>		
 M263 92.0 x 34.0	200	<a href="#">2MBI200U2A-060</a>	<a href="#">2MBI200VA-060-50</a>				
	150			2MBI150U4B-120	<a href="#">2MBI150VB-120-50</a>		
 M233 92.0 x 45.0	200			2MBI200U4B-120	<a href="#">2MBI200VB-120-50</a>		
	300	<a href="#">2MBI300U2B-060</a>	<a href="#">2MBI300VB-060-50</a>				
	400	<a href="#">2MBI400U2B-060</a>	<a href="#">2MBI400VB-060-50</a>				
 M274 92.0 x 45.0	400	<a href="#">2MBI400U2B-060</a>	<a href="#">2MBI400VB-060-50</a>				
	200			<a href="#">2MBI200UC-120</a>			
 M234 108.0 x 62.0	300			<a href="#">2MBI300UC-120</a>			
	200			2MBI200U4D-120			
 M235 108.0 x 62.0	300			2MBI300U4D-120	<a href="#">2MBI300VD-120-50</a>		
	400		<a href="#">2MBI400VD-060-50</a>		<a href="#">2MBI400VD-120-50</a>		
	600		<a href="#">2MBI600VD-060-50</a>				
 M275 108.0 x 62.0	600		<a href="#">2MBI600VD-060-50</a>				

2-Pack

 <p>M249</p>	100					2MBI100U4H-170		
	150			<a href="#">2MBI150U4H-120</a>		2MBI150U4H-170		
	200			2MBI200U4H-120	<a href="#">2MBI200VH-120-50</a>	2MBI200U4H-170		
	300			2MBI300U4H-120	<a href="#">2MBI300VH-120-50</a>	2MBI300U4H-170		
	400			2MBI400U4H-120		2MBI400U4H-170		
 <p>M276</p> <p>108.0 x 62.0</p>	450				<a href="#">2MBI450VH-120-50</a>			
 <p>M254</p> <p>150.0 x 62.0</p>	225			2MBI225U4N-120-50	<a href="#">2MBI225VN-120-50</a>	<a href="#">2MBI225U4N-170-50</a>		
	300			2MBI300U4N-120-50	<a href="#">2MBI300VN-120-50</a>	<a href="#">2MBI300U4N-170-50</a>	<a href="#">2MBI300VN-170-50</a>	
	450			2MBI450U4N-120-50	<a href="#">2MBI450VN-120-50</a>	<a href="#">2MBI450U4N-170-50</a>	<a href="#">2MBI450VN-170-50</a>	
	550						<a href="#">2MBI550VN-170-50</a>	
	600				<a href="#">2MBI600VN-120-50</a>			
 <p>M250</p> <p>150.0 x 62.0 Spring Contact</p>	225			2MBI225U4J-120-50				
	300			2MBI300U4J-120-50				
	450			2MBI450U4J-120-50				
	600							
 <p>M247 (M238)</p>	300			2MBI300U4E-120	<a href="#">2MBI300VE-120-50</a>			
	450			2MBI450U4E-120	<a href="#">2MBI450VE-120-50</a>			
	600	<a href="#">2MBI600U2E-060</a>	2MBI600VE-060-50		<a href="#">2MBI600VE-120-50</a>			
 <p>M277</p> <p>110.0 x 80.0</p>	600	<a href="#">2MBI600U2E-060</a>	2MBI600VE-060-50		<a href="#">2MBI600VE-120-50</a>			
	 <p>M256</p> <p>130.0 x 140.0</p>	600			<a href="#">2MBI600U4G-120</a>	2MBI600VG-120	<a href="#">2MBI600U4G-170</a>	2MBI600VG-170E
		800				<a href="#">2MBI800U4G-120</a>	2MBI800VG-120	<a href="#">2MBI800U4G-170</a>
1200					<a href="#">2MBI1200U4G-120</a>	2MBI1200VG-120	<a href="#">2MBI1200U4G-170</a>	2MBI1200VG-170E
 <p>M260</p> <p>150.0 x 62.0</p>	225				<a href="#">2MBI225VJ-120-50</a>			
	300				<a href="#">2MBI300VJ-120-50</a>			
	450				<a href="#">2MBI450VJ-120-50</a>			
	550						<a href="#">2MBI550VJ-170-50</a>	
	600					<a href="#">2MBI600VJ-120-50</a>		
 <p>M271</p>	600				<a href="#">2MBI600VXA-120E-</a>			








 172.0 x 89.0	650						<a href="#">2MBI650VXA-170E-50</a>
	900				<a href="#">2MBI900VXA-120P-50</a>		
M272  250.0 x 89.0	1000						<a href="#">2MBI1000VXB-170E-50</a>
	1400				<a href="#">2MBI1400VXB-120P-50</a>		2MBI1400VXB-170E-50 2MBI1400VXB-170P-50

**RoHS:** If the last two figures after hyphen of product name are from 50 through 99, the product is compatible with EU RoHS Directive.

For example "7MBR50VP060-50"

[Download Product Information Document](#)

*для получения файла справки datasheet pdf Технической документации( описание )нажмите(кликните) по наименованию необходимого компонента*

	Package	IC Amps. Tc=100°C	600V			1200V		
			Trench-FS V Series	Trench-FS High-Speed V Series		Trench-FS V Series	Trench-FS High-Speed V Series	
								
IGBT Discrete	 TO-247 15.0 x 20.95 x 20.17	15				<a href="#">FGW15N120VD</a>	<a href="#">FGW15N120HD</a>	<a href="#">FGW15N120H</a>
		25				<a href="#">FGW25N120VD</a>		
		30	<a href="#">FGW30N60VD</a>				<a href="#">FGW30N120HD</a>	<a href="#">FGW30N120H</a>
		35		<a href="#">FGW35N60HD</a>	<a href="#">FGW35N60H</a>			
		40				<a href="#">FGW40N120VD</a>	<a href="#">FGW40N120HD</a>	<a href="#">FGW40N120H</a>
		50	<a href="#">FGW50N60VD</a>	<a href="#">FGW50N60HD</a>	<a href="#">FGW50N60H</a>			
		75	<a href="#">FGW75N60VD</a>	<a href="#">FGW75N60HD</a>	<a href="#">FGW75N60H</a>			

Предлагаем IGBT СИЛОВЫЕ МОДУЛИ FUJI ELECTRIC  
и другие ЭЛЕКТРОННЫЕ КОМПОНЕНТЫ  
(радиодетали) СО СКЛАДА И ПОД ЗАКАЗ  
Беларусь г.Минск тел./факс 8(017)200-56-46  
www.fotorele.net e:mail minsk17@tut.by

# FUJI Power Semiconductors

## IGBT Modules

IGBT 6-pack

Page 1



IGBT PIM

Page 3



IGBT Standard 2-pack/1-pack

Page 6



IGBT High Power Modules

Page 10



IGBT IPM

Page 12



IGBT Discretes

Page 13

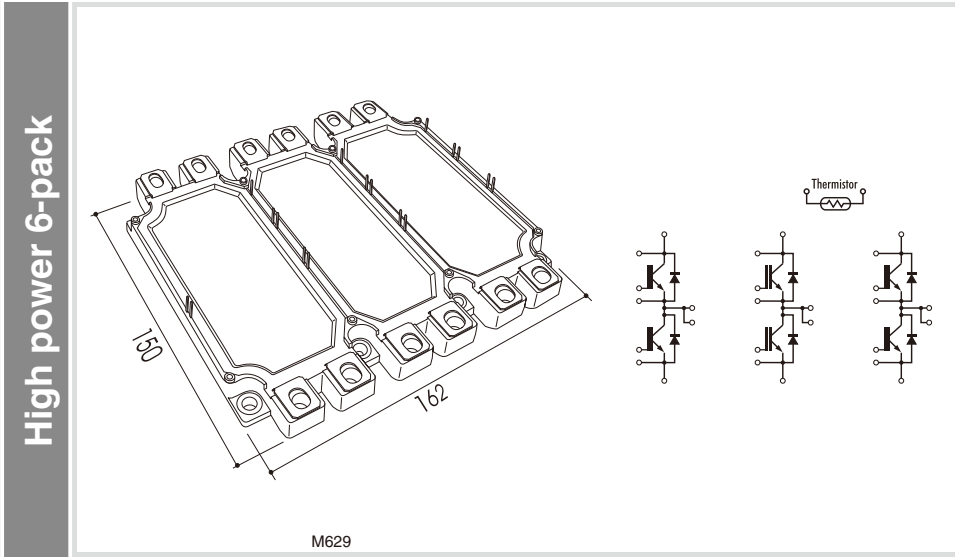


# IGBT 6-pack

		600V		1200V		1700V	
		Gen. 5 Planar-NPT	Gen. 6 Trench-FS	Gen. 5 Trench-FS	Gen. 6 Trench-FS	Gen. 5 Trench-FS	
With NTC	<p>M636 Solder pins</p>	35A			6MBI35U4A-120-50		
		50A		6MBI50VA-060-50	6MBI50U4A-120-50	6MBI50VA-120-50	
		75A	6MBI75U2A-060-50	6MBI75VA-060-50	6MBI75U4A-120-50	6MBI75VA-120-50	
		100A		6MBI100VA-060-50		6MBI100VA-120-50	
	<p>M633 Solder pins</p>	75A					
		100A	6MBI100U2B-060-50		6MBI100U4B-120-50	6MBI100VB-120-50	6MBI100U4B-170-50
		150A	6MBI150U2B-060-50	6MBI150VB-060-50	6MBI150U4B-120-50	6MBI150VB-120-50	6MBI150U4B-170-50
		180A				6MBI180VB-120-50	
	<p>M647 Press fit pins</p>	180A				6MBI180VB-120-55	
		50A		6MBI50VW-060-50		6MBI50VW-120-50	
		75A		6MBI75VW-060-50		6MBI75VW-120-50	
		100A		6MBI100VW-060-50		6MBI100VW-120-50	
	<p>M648 Press fit pins</p>	100A				6MBI100VX-120-50	
		150A		6MBI150VX-060-50		6MBI150VX-120-50	
		180A				6MBI180VX-120-50	
		180A				6MBI180VX-120-55	

Note: Suffix '-50' in production number indicates RoHS compliant.  
 6MBI180VB-120-55, 6MBI180VX-120-55; Premium type (Low Thermal Impedance Version)

# IGBT 6-pack



mm

Ic

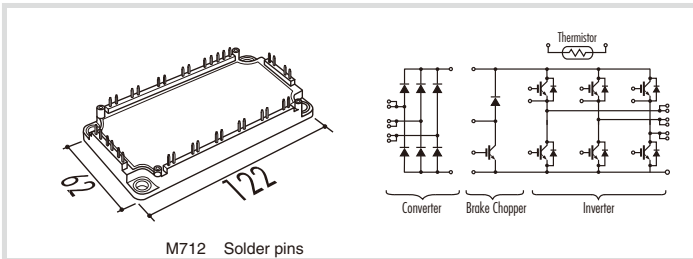
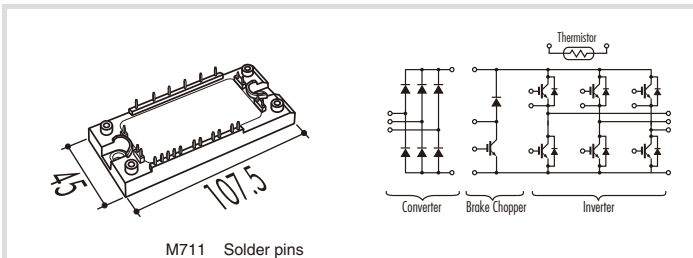
	1200V		1700V	
	Gen. 5 Trench-FS	Gen. 6 Trench-FS	Gen. 5 Trench-FS	Gen. 6 Trench-FS
<b>225A</b>	6MBI225U4-120-50	6MBI225V-120-50	6MBI225U4-170	
<b>300A</b>	6MBI300U4-120-50	6MBI300V-120-50	6MBI300U4-170	6MBI300V-170-50
<b>450A</b>	6MBI450U4-120-50	6MBI450V-120-50	6MBI450U4-170	6MBI450V-170-50
<b>550A</b>		6MBI550V-120-50		

Note: Suffix '-50' in production number indicates RoHS compliant.



# IGBT PIM (Power Integrated Module) mm

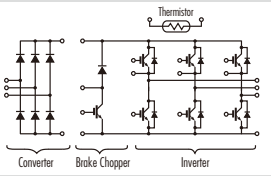
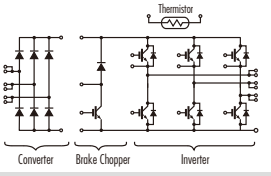
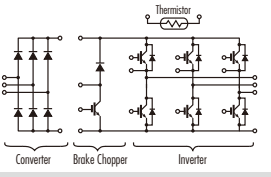
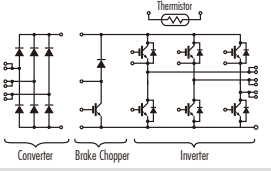
PIM



Ic	600V		1200V	
	Gen. 5 Trench/ Planar-NPT	Gen.6 Trench-FS	Gen. 5 Trench-FS	Gen.6 Trench-FS
10A				
15A				
25A			7MBR25UA120-50	7MBR25VA120-50
30A	7MBR30U2A060-50			
35A			7MBR35UA120-50	7MBR35VA120-50
50A	7MBR50U2A060-50	7MBR50VA060-50	7MBR50UA120-50	
35A			7MBR35UB120-50	7MBR35VB120-50
50A			7MBR50UB120-50	7MBR50VB120-50
75A	7MBR75U2B060-50	7MBR75VB060-50	7MBR75U4B120-50	7MBR75VB120-50
100A	7MBR100U2B060-50	7MBR100VB060-50	7MBR100U4B120-50	

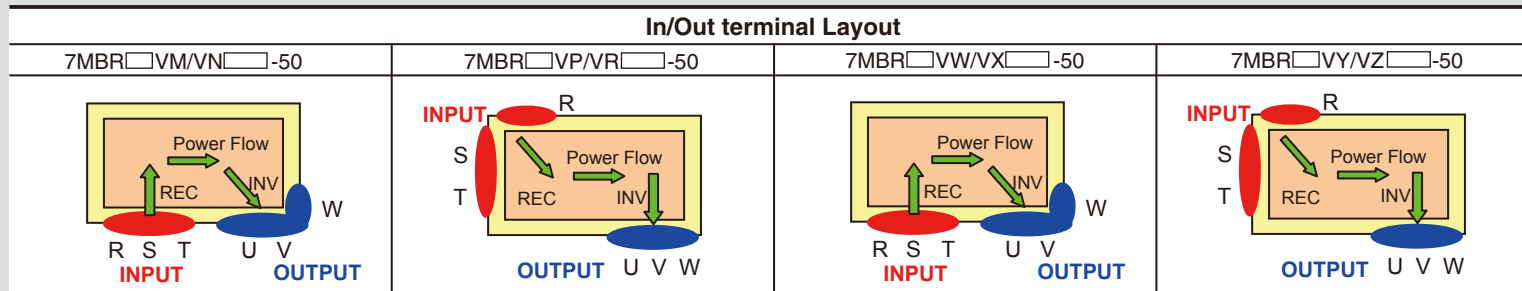
Note: Suffix '-50' in production number indicates RoHS compliant.

**IGBT PIM (Power Integrated Module)** mm

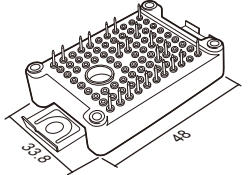
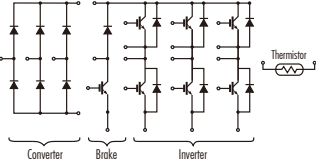
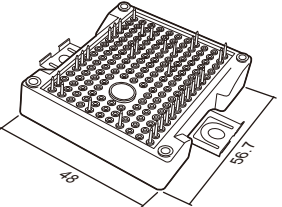
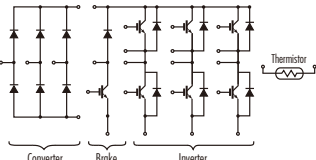
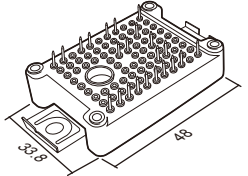
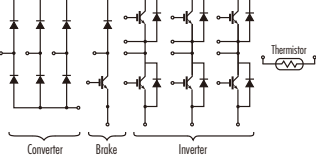
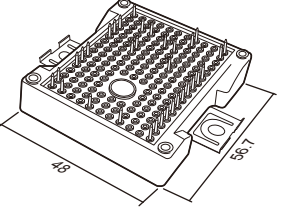
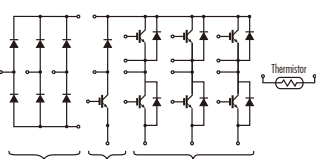
PIM	mm	Ic	600V	1200V	
			Gen. 6 Trench-FS	Gen. 6 Trench-FS	
M719 Solder pins	45	107.5		25A	7MBR25VM120-50 7MBR25VP120-50
				35A	7MBR35VM120-50 7MBR35VP120-50
				50A	7MBR50VP060-50
				75A	7MBR75VP060-50
M720 Solder pins	45	122		100A	7MBR100VP060-50
				50A	7MBR50VN120-50 7MBR50VR120-50
				75A	7MBR75VN120-50 7MBR75VR120-50
				100A	7MBR100VN120-50 7MBR100VR120-50
M721 Press fit pins	45	107.5		150A	7MBR150VR060-50
				25A	7MBR25VW120-50 7MBR25VY120-50
				35A	7MBR35VW120-50 7MBR35VY120-50
				50A	7MBR50VY060-50
M722 Press fit pins	45	122		75A	7MBR75VY060-50
				100A	7MBR100VY060-50
				50A	7MBR50VX120-50 7MBR50VZ120-50
				75A	7MBR75VX120-50 7MBR75VZ120-50
				100A	7MBR100VZ060-50
				150A	7MBR150VZ060-50

Note: Suffix '-50' in production number indicates RoHS compliant.

**In/Out terminal Layout**



**IGBT PIM (Power Integrated Module)** mm

	mm	Ic	600V	1200V
			Gen. 6 Trench-FS	Gen. 6 Trench-FS
 <p>M726 Press fit pins</p>		10A	7MBR10VKA060-50 *	7MBR10VKA120-50
		15A	7MBR15VKA060-50 *	7MBR15VKA120-50
		20A	7MBR20VKA060-50 *	
		30A	7MBR30VKA060-50 *	
 <p>M727 Press fit pins</p>		15A		7MBR15VKB120-50
		25A		7MBR25VKB120-50
		35A		7MBR35VKB120-50
		50A	7MBR50VKB060-50 *	
 <p>M728 Solder pins</p>		10A	7MBR10VKC060-50 *	7MBR10VKC120-50
		15A	7MBR15VKC060-50 *	7MBR15VKC120-50
		20A	7MBR20VKC060-50 *	
		30A	7MBR30VKC060-50 *	
 <p>M729 Solder pins</p>		15A		7MBR15VKD120-50
		25A		7MBR25VKD120-50
		35A		7MBR35VKD120-50
		50A	7MBR50VKD060-50 *	

Note: Suffix '-50' in production number indicates RoHS compliant.

\* Under development

# IGBT Standard 2-pack mm

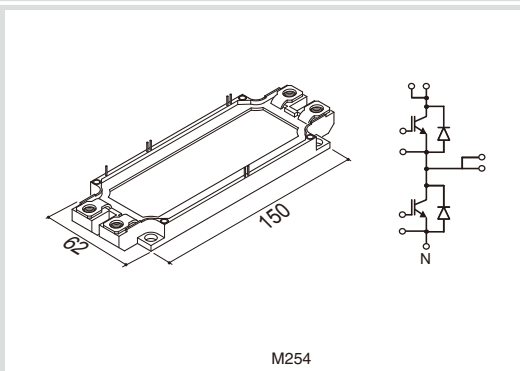
	Ic	600V		1200V		1700V	
		Gen. 5 Planar-NPT	Gen. 6 Trench-FS	Gen. 5 Trench-FS	Gen. 6 Trench-FS	Gen. 5 Trench-FS	Gen. 6 Trench-FS
 M232, M263	75A			2MBI75U4A-120-50	2MBI75VA-120-50		2MBI75VA-170-50
	100A		2MBI100VA-060-50	2MBI100U4A-120-50	2MBI100VA-120-50		2MBI100VA-170-50
	150A	2MBI150U2A-060-50	2MBI150VA-060-50	2MBI150U4A-120-50	2MBI150VA-120-50		
	200A	2MBI200U2A-060-50	2MBI200VA-060-50				
 M233, M274	100A						
	150A			2MBI150U4B-120-50	2MBI150VB-120-50		
	200A			2MBI200U4B-120-50	2MBI200VB-120-50		
	300A	2MBI300U2B-060-50	2MBI300VB-060-50				
	400A	2MBI400U2B-060-50	2MBI400VB-060-50				
 M234	100A						
	150A						
	200A			2MBI200UC-120-50			
	300A			2MBI300UC-120-50			
 M235, M275	200A			2MBI200U4D-120-50			
	300A			2MBI300U4D-120-50	2MBI300VD-120-50		
	400A		2MBI400VD-060-50		2MBI400VD-120-50		
	600A		2MBI600VD-060-50				
 M249, M276	100A					2MBI100U4H-170-50	
	150A			2MBI150U4H-120-50		2MBI150U4H-170-50	2MBI150VH-170-50
	200A			2MBI200U4H-120-50	2MBI200VH-120-50	2MBI200U4H-170-50	2MBI200VH-170-50
	300A			2MBI300U4H-120-50	2MBI300VH-120-50	2MBI300U4H-170-50	2MBI300VH-170-50
	400A			2MBI400U4H-120-50		2MBI400U4H-170-50	
	450A				2MBI450VH-120-50		
 M247, M277	300A			2MBI300U4E-120	2MBI300VE-120-50		
	450A			2MBI450U4E-120	2MBI450VE-120-50		
	600A	2MBI600U2E-060	2MBI600VE-060-50		2MBI600VE-120-50		

Note: Suffix '-50' in production number indicates RoHS compliant.

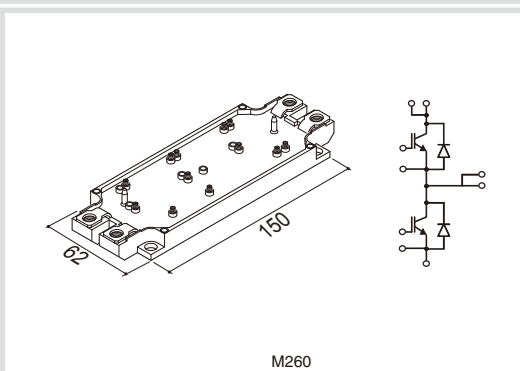
• M232, M233, M234, M235, M249, M247: Gen.5 M263, M274, M275, M276, M277: Gen.6

**IGBT Standard 2-pack** mm

2-pack



M254



M260

**Ic**

**225A**

**300A**

**450A**

**550A**

**600A**

**225A**

**300A**

**450A**

**550A**

**600A**

**1200V**

**Gen. 5**

**Trench-FS**

**Gen. 6**

**Trench-FS**

**1700V**

**Gen. 5**

**Trench-FS**

**Gen. 6**

**Trench-FS**

2MBI225U4N-120-50

2MBI225VN-120-50

2MBI225U4N-170-50

2MBI300U4N-120-50

2MBI300VN-120-50

2MBI300U4N-170-50

2MBI300VN-170-50

2MBI450U4N-120-50

2MBI450VN-120-50

2MBI450U4N-170-50

2MBI450VN-170-50

2MBI550VN-170-50

2MBI600VN-120-50

2MBI225U4J-120-50

2MBI225VJ-120-50

2MBI300U4J-120-50

2MBI300VJ-120-50

2MBI450U4J-120-50

2MBI450VJ-120-50

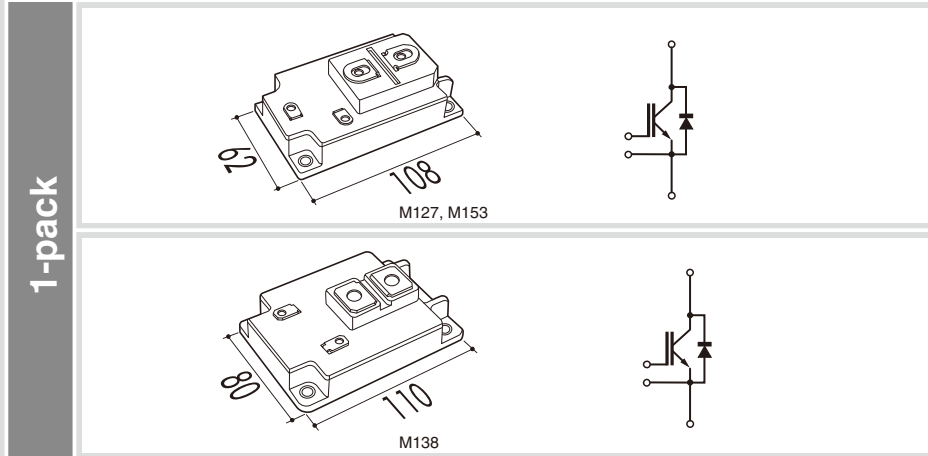
2MBI550VJ-170-50

2MBI600VJ-120-50

Note: Suffix '-50' in production number indicates RoHS compliant.

## IGBT Standard 1-pack

mm



**Ic**

**200A**

**300A**

**400A**

**600A**

**900A**

**600A**

**800A**

**1200V**

**Gen. 5  
Trench-FS**

**Gen. 6  
Trench-FS**

1MBI300U4-120

1MBI400U4-120

1MBI600U4-120

1MBI400V-120-50

1MBI600V-120-50

1MBI900V-120-50

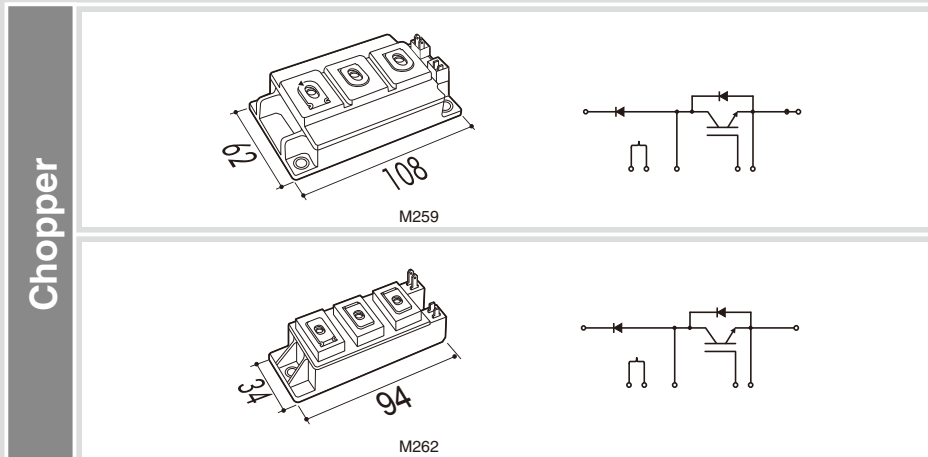
1MBI600U4B-120

1MBI800U4B-120

Note: Suffix '-50' in production number indicates RoHS compliant. • M127: Gen.5 M153: Gen.6

## IGBT Chopper

mm



**Ic**

**200A**

**300A**

**50A**

**75A**

**100A**

**600V**

**Gen. 5  
Planar-NPT**

**1200V**

**Gen. 5  
Trench-FS**

1MBI300U2H-060L-50

1MBI200U4H-120L-50

1MBI50U4F-120L-50

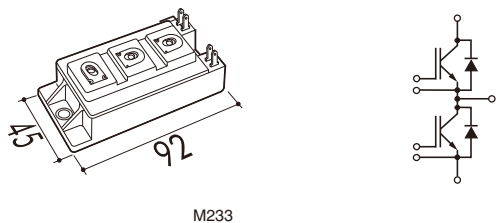
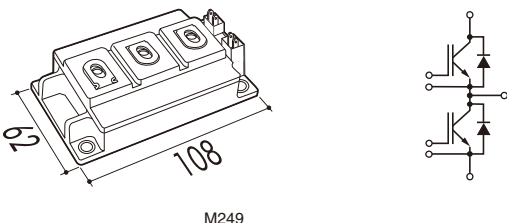
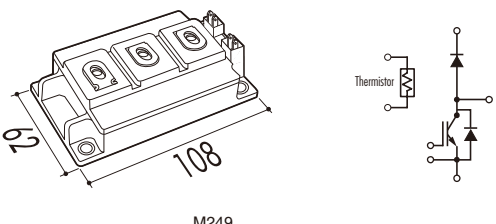
1MBI75U4F-120L-50

1MBI100U4F-120L-50

Note: Suffix '-50' in production number indicates RoHS compliant.

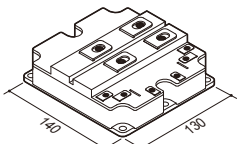
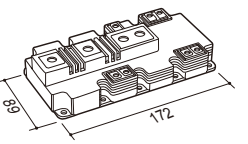
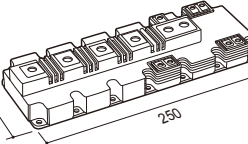
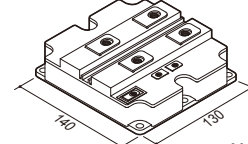
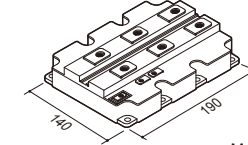
# IGBT High Speed Modules

mm

		1200V	
		Ic	High Speed IGBT
2 pack	 <p>M233</p>	100A	2MBI100HB-120-50
	 <p>M249</p>	150A 200A	2MBI150HH-120-50 2MBI200HH-120-50
	 <p>M249</p>	200A 300A 400A	1MBI200HH-120L-050 1MBI300HH-120L-050 1MBI400HH-120L-050

Note: Suffix '-50' in production number indicates RoHS compliant.

# IGBT High Power Module mm

		1200V		1700V		
		Gen. 5	Gen. 6	Gen. 5	Gen. 6	
		Trench-FS	Trench-FS	Trench-FS	Trench-FS	
		Ic				
2-pack	 M256	600A	2MBI600U4G-120	2MBI600VG-120 *	2MBI600U4G-170	2MBI600VG-170E
		800A	2MBI800U4G-120	2MBI800VG-120 *	2MBI800U4G-170	2MBI800VG-170E
		1200A	2MBI1200U4G-120	2MBI1200VG-120 *	2MBI1200U4G-170	2MBI1200VG-170E
2-pack PrimePACK™	 M271	600A		2MBI600VXA-120E-50		
		650A				2MBI650VXA-170E-50
	900A		2MBI900VXA-120E-50 2MBI900VXA-120P-50			
	 M272	1000A				2MBI1000VXB-170E-50
1400A			2MBI1400VXB-120P-50		2MBI1400VXB-170E-50 * 2MBI1400VXB-170P-50 *	
1-pack	 M151	1200A	1MBI1200U4C-120	1MBI1200VC-120 *	1MBI1200U4C-170	1MBI1200VC-170E
		1600A	1MBI1600U4C-120	1MBI1600VC-120 *	1MBI1600U4C-170	1MBI1600VC-170E
		2400A		1MBI2400VC-120 *		1MBI2400VC-170E
	 M152	2400A	1MBI2400U4D-120	1MBI2400VD-120 *	1MBI2400U4D-170	1MBI2400VD-170E
		3600A	1MBI3600U4D-120	1MBI3600VD-120 *	1MBI3600U4D-170	1MBI3600VD-170E

Note: Suffix '-50' in production number indicates RoHS compliant.  
PrimePACK™ is registered trademark of Infineon Technology AG, Germany.

\* Under development

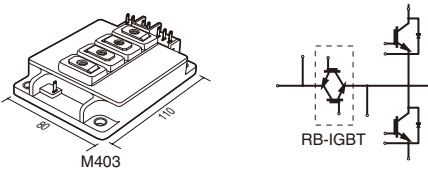


## IGBT High Power Module

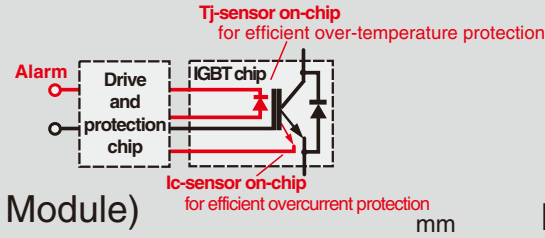
		mm	Ic	1700V
Chopper PrimePACK™		172	<b>650A</b>	<b>Gen. 6</b> <b>Trench-FS</b> 1MBI650VXA-170EL-50 1MBI650VXA-170EH-50
		250	<b>1000A</b>	1MBI1000VXB-170EL-50 1MBI1000VXB-170EH-50

Note: Suffix '-50' in production number indicates RoHS compliant.  
PrimePACK™ is registered trademark of Infineon Technology AG, Germany.

## IGBT Advanced NPC 3-level Circuits

		mm	Ic	600V	1200V
3-level		110	<b>300A</b>	<b>Gen. 6</b> <b>Trench-FS</b>	<b>Gen. 6</b> <b>Trench-FS</b>
			<b>400A</b>	4MBI400VG-060R-50	4MBI300VG-120R-50

Note: Suffix '-50' in production number indicates RoHS compliant.



**IGBT IPM (Intelligent Power Module)**

		600V	1200V	
		Gen. 6 Trench-FS	Gen. 6 Trench-FS	
Without brake-chopper	<p>P629</p>	<b>Ic</b>		
		10A	6MBP10VAA120-50	
	15A		6MBP15VAA120-50	
	20A	6MBP20VAA060-50		
	25A		6MBP25VAA120-50	
	30A	6MBP30VAA060-50		
Without brake-chopper	<p>P626</p>	50A	6MBP50VAA060-50	
		25A		6MBP25VBA120-50
	35A		6MBP35VBA120-50	
	50A	6MBP50VBA060-50	6MBP50VBA120-50	
	75A	6MBP75VBA060-50		
	Without brake-chopper	<p>P630</p>	25A	6MBP25VDA120-50
35A				6MBP35VDA120-50
50A			6MBP50VDA060-50	6MBP50VDA120-50
75A			6MBP75VDA060-50	6MBP75VDA120-50
100A			6MBP100VDA060-50	6MBP100VDA120-50
150A			6MBP150VDA060-50	
With brake-chopper	<p>P631</p>	200A	6MBP200VDA060-50	
		25A		7MBP25VDA120-50
		35A		7MBP35VDA120-50
		50A	7MBP50VDA060-50	7MBP50VDA120-50
		75A	7MBP75VDA060-50	7MBP75VDA120-50
		100A	7MBP100VDA060-50	7MBP100VDA120-50
Without brake-chopper	<p>P631</p>	150A	7MBP150VDA060-50	
		100A		6MBP100VEA120-50
		150A		6MBP150VEA120-50
		200A	6MBP200VEA060-50	6MBP200VEA120-50
		300A	6MBP300VEA060-50	
		400A	6MBP400VEA060-50	
With brake-chopper	<p>P631</p>	100A		7MBP100VEA120-50
		150A		7MBP150VEA120-50
		200A	7MBP200VEA060-50	7MBP200VEA120-50
		300A	7MBP300VEA060-50	
		400A	7MBP400VEA060-50	

Note: Suffix '-50' in production number indicates RoHS compliant.

# IGBT Discretes

mm

Ic

## 600V

## 1200V

Trench-FS  
V series

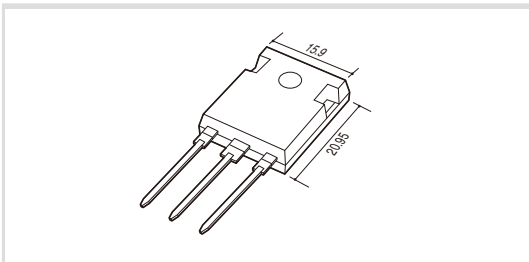
Trench-FS  
High Speed V series

Trench-FS  
V series

Trench-FS  
High Speed V series



TO-247 -P2

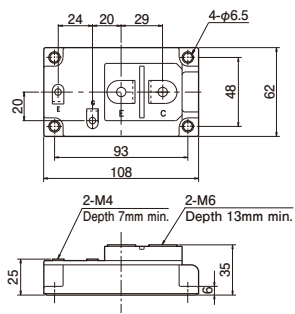


Ic	Trench-FS V series	Trench-FS High Speed V series		Trench-FS V series	Trench-FS High Speed V series	
15A				FGW15N120VD	FGW15N120HD	FGW15N120H
25A				FGW25N120VD		
30A	FGW30N60VD				FGW30N120HD	FGW30N120H
35A		FGW35N60HD	FGW35N60H			
40A				FGW40N120VD	FGW40N120HD	FGW40N120H
50A	FGW50N60VD	FGW50N60HD	FGW50N60H			
75A	FGW75N60VD *	FGW75N60HD	FGW75N60H			

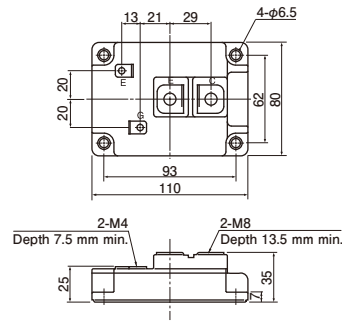
\* Under development

# Package Outlines, mm

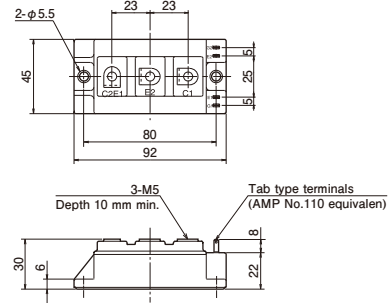
M127



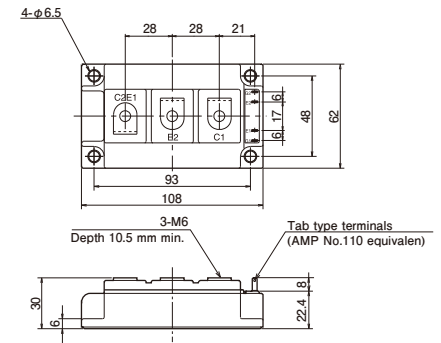
M138



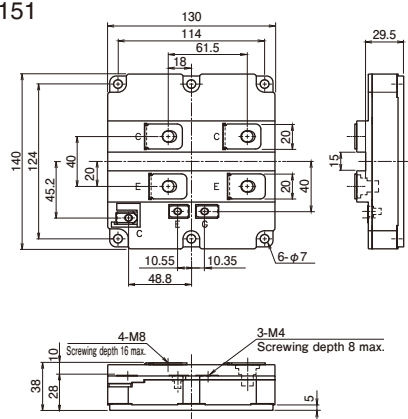
M233



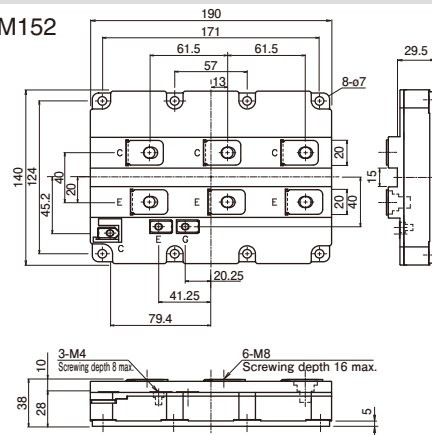
M234



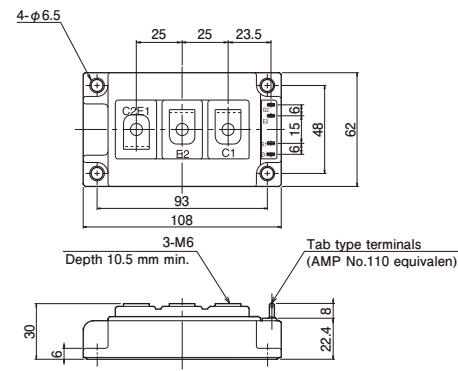
M151



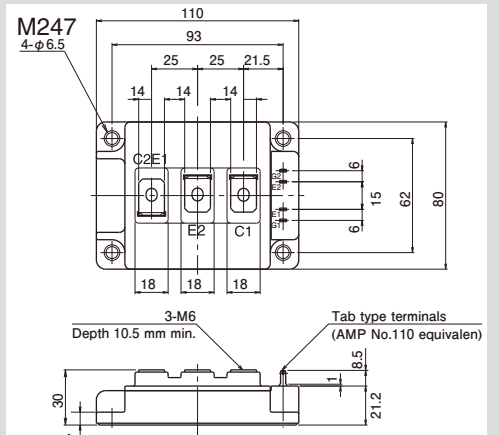
M152



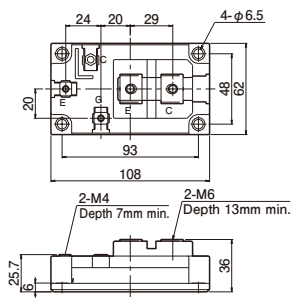
M235



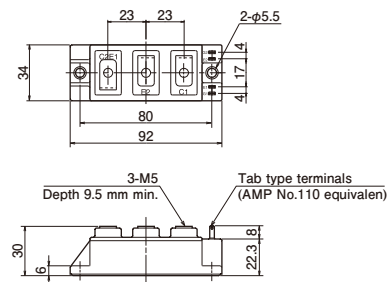
M247



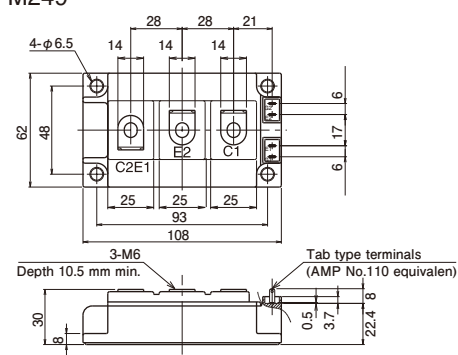
M153



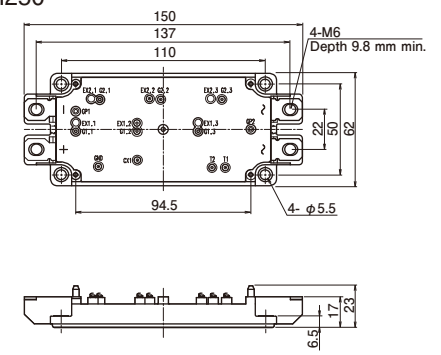
M232



M249

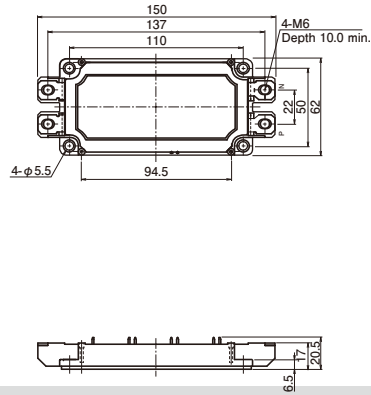


M250

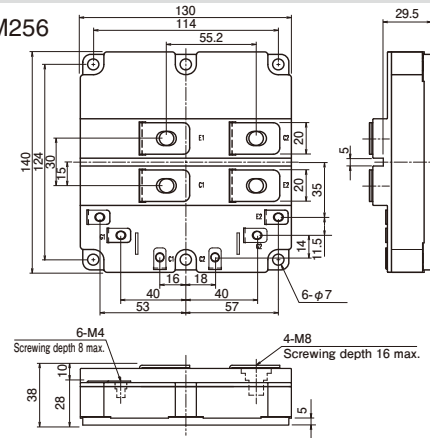


# Package Outlines, mm

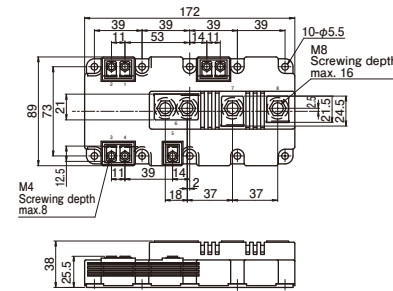
M254



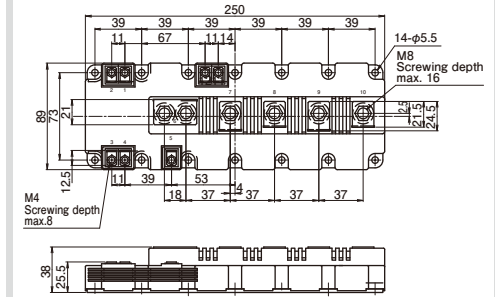
M256



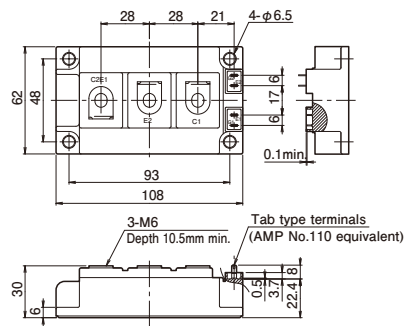
M271



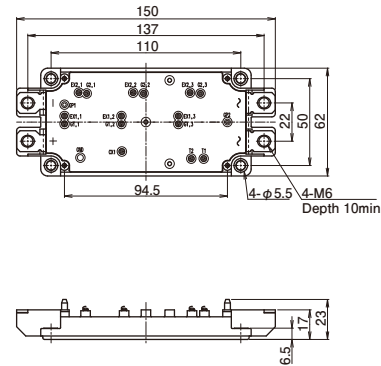
M272



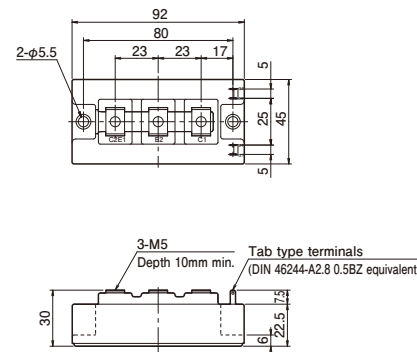
M259



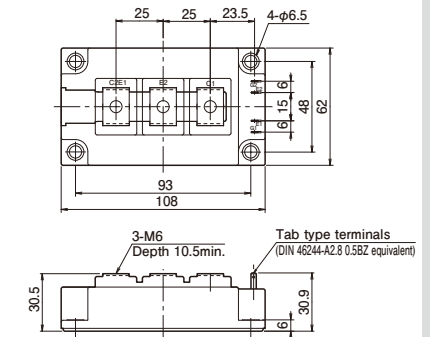
M260



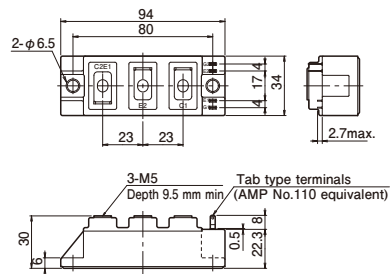
M274



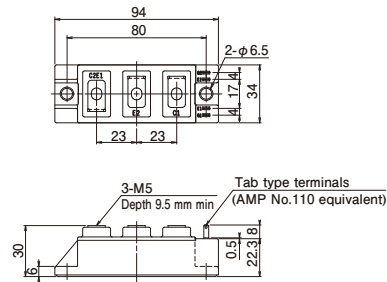
M275



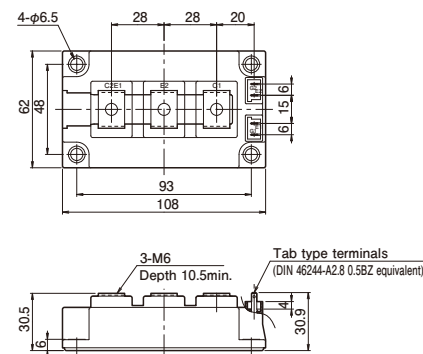
M262



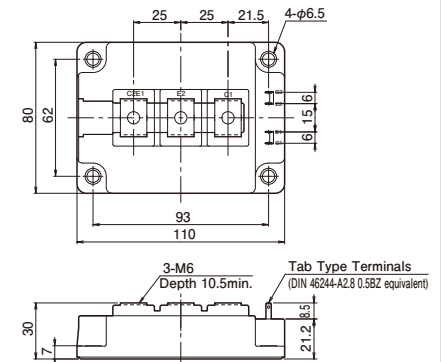
M263



M276

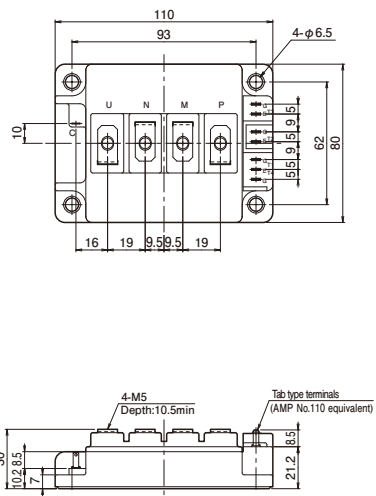


M277

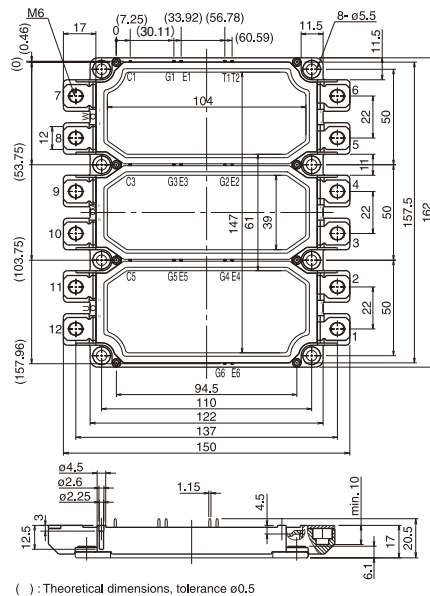


# Package Outlines, mm

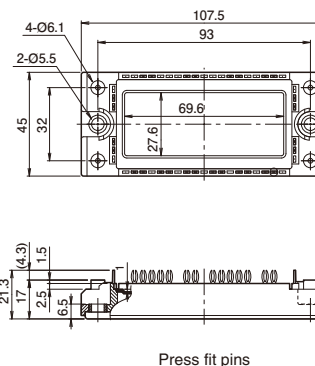
M403



M629

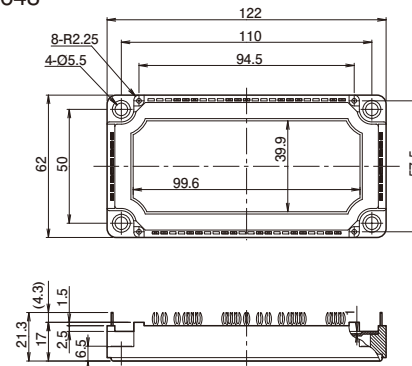


M647



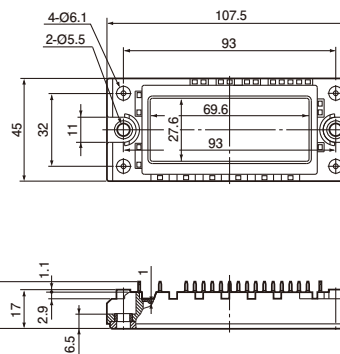
Press fit pins

M648



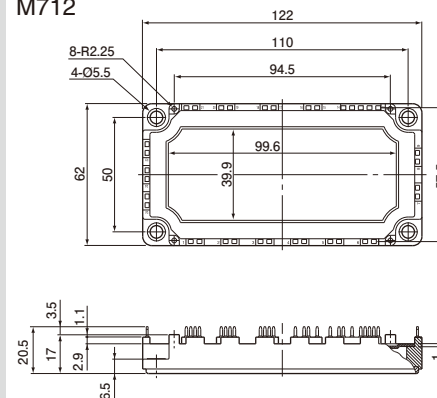
Press fit pins

M711



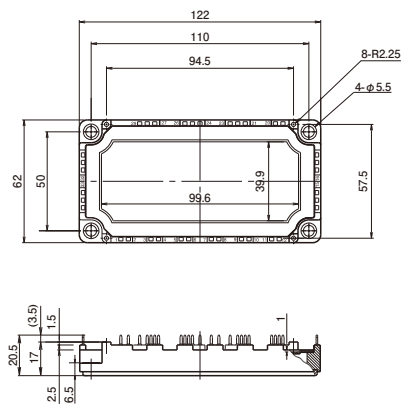
Solder pins

M712



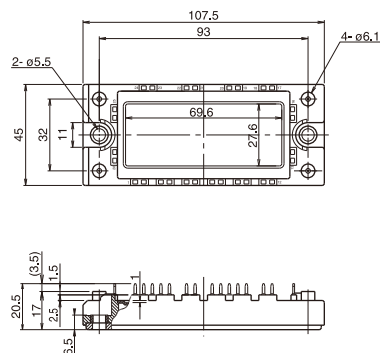
Solder pins

M633



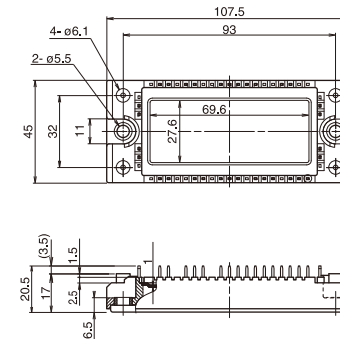
Solder pins

M636



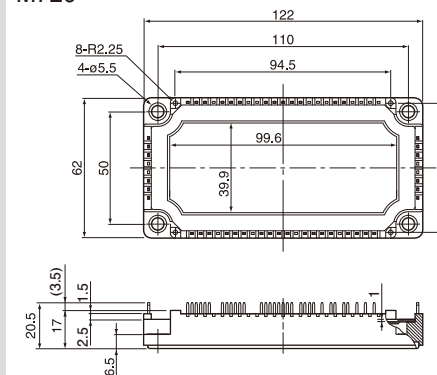
Solder pins

M719



Solder pins

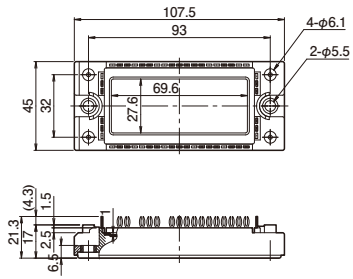
M720



Solder pins

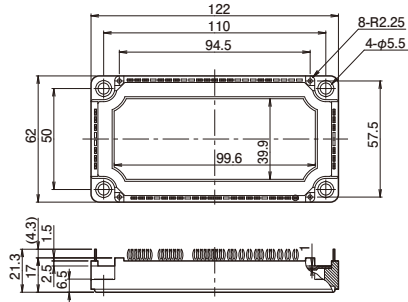
# Package Outlines, mm

M721



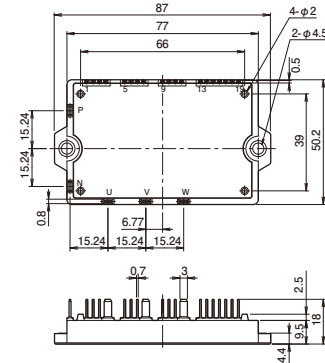
Press fit pins

M722

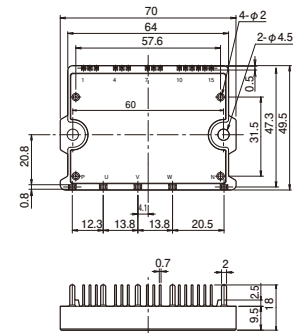


Press fit pins

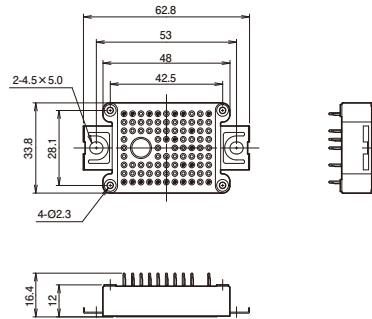
P626



P629

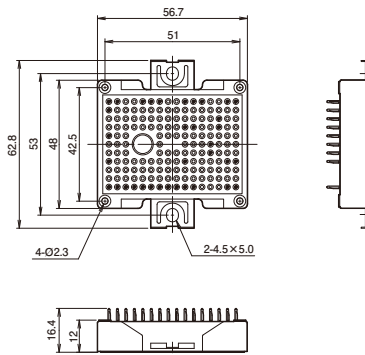


M726



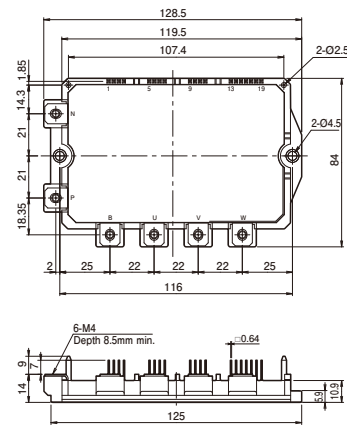
Press fit pins

M727

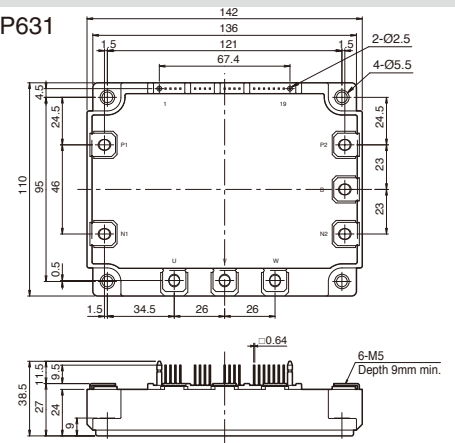


Press fit pins

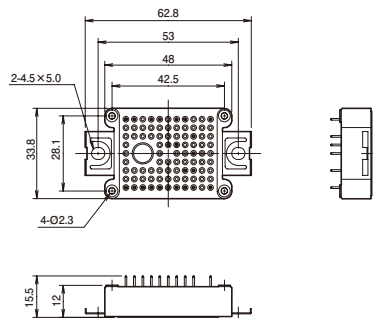
P630



P631

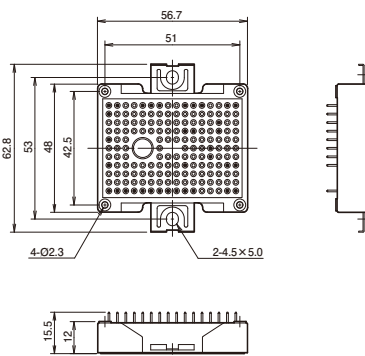


M728



Solder pins

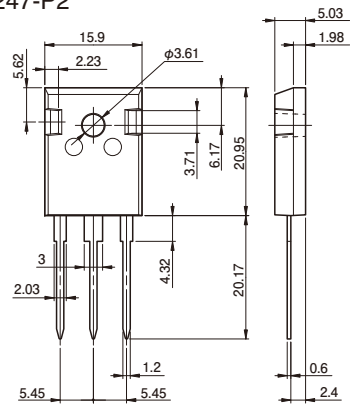
M729



Solder pins

## Package Outlines, mm

TO-247-P2





**Fuji Electric Co., Ltd.**  
**Power Semiconductors Group**

<http://www.fujielectric.com/products/semiconductor/>

**Fuji Electric Hong Kong Co., Limited**

Unit 227-230, 2nd Floor, No.1 Science Park West Avenue,  
Hong Kong Science Park, Shatin, N.T., Hong Kong.  
Tel: +852-2664-8699

**Fuji Electric Taiwan Co., Ltd.**

9F-1, No. 111, Sung Chiang Road, Taipei, TAIWAN  
Tel: +886-2-2515-1850

**Fuji Electric Asia Pacific Private Ltd.**

171 Chin Swee Road, #12-01, San Centre, SINGAPORE 169877  
Tel: +65-6533-0014

**Fuji Electric (China) Co., Ltd**

F27, International Corporate City,  
No.3000 Zhongshan North Road,  
Shanghai 200063 P.R.C., CHINA  
Tel: +86-21-5496-1177

**Fuji Electric Corp. of America**

50 Northfield Avenue  
Edison, NJ 08837, USA  
Tel: +1-732-560-9410

**Fuji Electric Europe GmbH**

Goethering 58, 63067 Offenbach, am Main, F.R. GERMANY  
Tel: +49-69-6690290

Предлагаем IGBT СИЛОВЫЕ МОДУЛИ FUJI ELECTRIC  
и другие ЭЛЕКТРОННЫЕ КОМПОНЕНТЫ  
(радиодетали) СО СКЛАДА И ПОД ЗАКАЗ  
Беларусь г.Минск тел./факс 8(017)200-56-46  
[www.fotorele.net](http://www.fotorele.net) e:mail [minsk17@tut.by](mailto:minsk17@tut.by)