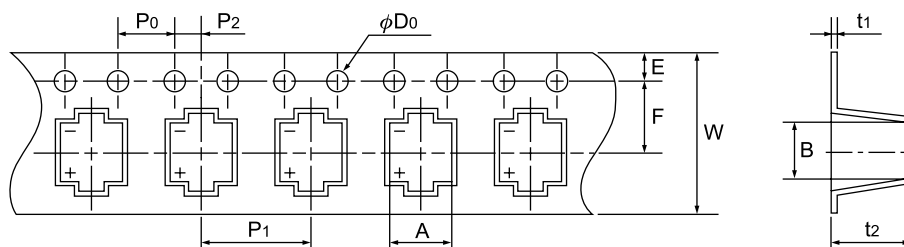


# LEAD STYLE & TAPING AVAILABILITY

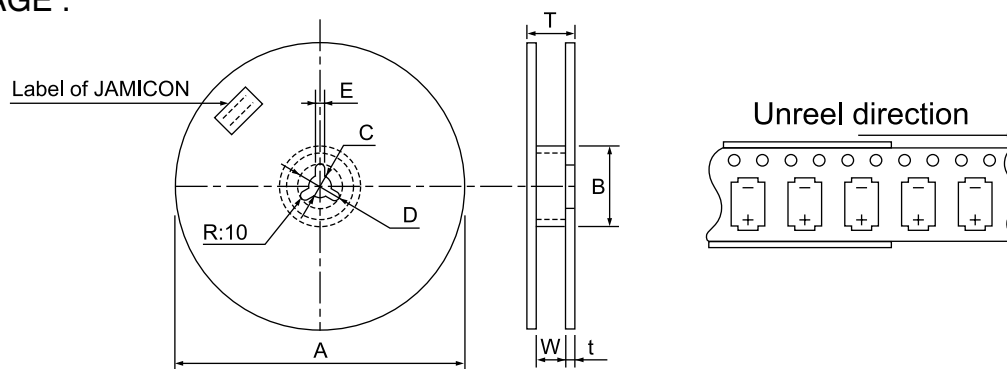
## ● CHIP TYPE (CS, CA, CN, CR, CT, CE, CP, CH, CL, CF, CK, CZ, CB Series)

### ● TAPING :



D x L	W ±0.3	A ±0.2	B ±0.2	P0 ±0.1	P1 ±0.1	P2 ±0.1	F ±0.1	φD0 ±0.1	t1 ±0.1	E ±0.1	t2 ±0.2
4x5.4	12.0	4.7	4.7	4.0	8.0	2.0	5.5	1.5	0.4	1.75	5.7
5x5.4	12.0	5.7	5.7	4.0	12.0	2.0	5.5	1.5	0.4	1.75	5.7
6.3x5.4	16.0	7.0	7.0	4.0	12.0	2.0	7.5	1.5	0.4	1.75	5.7
4x5.8	12.0	4.7	4.7	4.0	8.0	2.0	5.5	1.5	0.4	1.75	6.3
5x5.8	12.0	5.7	5.7	4.0	12.0	2.0	5.5	1.5	0.4	1.75	6.4
6.3x5.8	16.0	7.0	7.0	4.0	12.0	2.0	7.5	1.5	0.4	1.75	6.4
6.3x7.7	16.0	7.0	7.0	4.0	12.0	2.0	7.5	1.5	0.4	1.75	8.2
8x6.2	16.0	8.7	8.7	4.0	12.0	2.0	7.5	1.5	0.4	1.75	6.8
8x10.2	24.0	8.7	8.7	4.0	16.0	2.0	11.5	1.5	0.4	1.75	11.0
10x10.2	24.0	10.7	10.7	4.0	16.0	2.0	11.5	1.5	0.4	1.75	11.0

### ● PACKAGE :



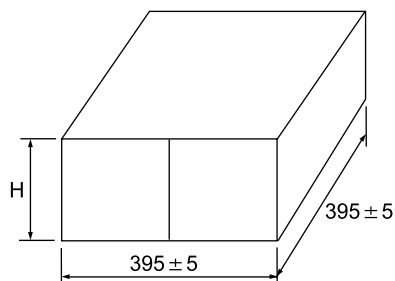
D x L	A ±2.0	B min	C ±0.5	D ±0.8	E ±0.5	W ±1.0	T ±1.0	t ±0.5
φ4 φ5	380	50	13	21	2.0	14.0	20.0	3.0
φ6.3	380	50	13	21	2.0	18.0	24.0	3.0
8x6.2	380	50	13	21	2.0	18.0	24.0	3.0
8x10.2	380	50	13	21	2.0	26.0	32.0	3.0
10x10.2	380	50	13	21	2.0	26.0	32.0	3.0

Unit : mm

# LEAD STYLE & TAPING AVAILABILITY

JAMICON®

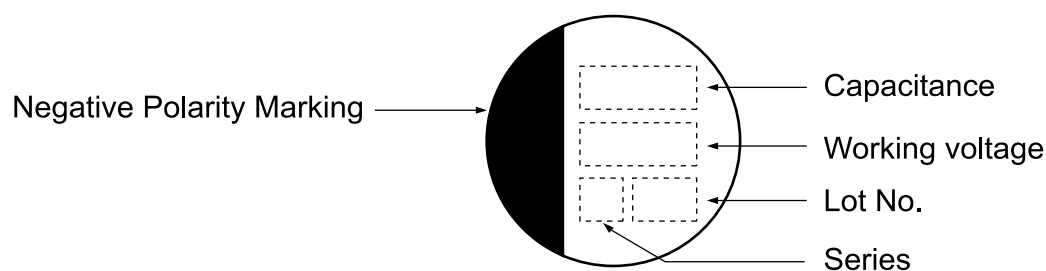
## ● PACKING VOLUME INNER BOX :



D x L	H
φ4	220
φ5	220
φ6.3	250
8x6.2	250
8x10.2	220
10x10.2	220

D x L	Pcs / Reel	Reel / Inner Box	Pcs / Inner Box
4x5.4	2,000	10	20,000
5x5.4	1,000	10	10,000
6.3x5.4	1,000	10	10,000
4x5.8	2,000	10	20,000
5x5.8	1,000	10	10,000
6.3x5.8	1,000	10	10,000
6.3x7.7	900	10	9,000
8x6.2	1,000	10	10,000
8x10.2	500	6	3,000
10x10.2	500	6	3,000

## ● MARKING :



# LEAD STYLE & TAPING AVAILABILITY

## ● RADIAL TYPE

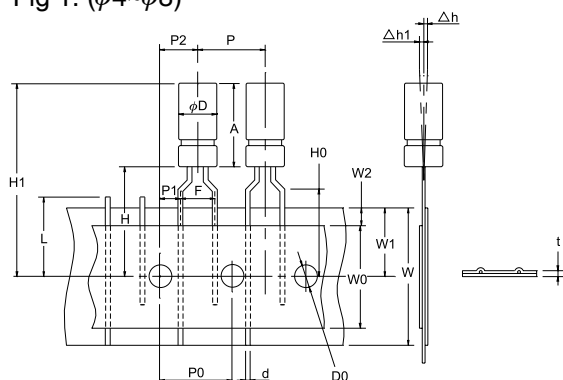
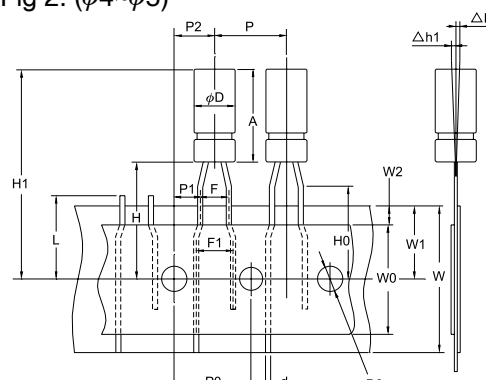
### ● SPECIFICATION

Lead taping is designed for automatic insertion equipment. Capacitor with case size of 18mm x 35.5mm or smaller are available in taping type.

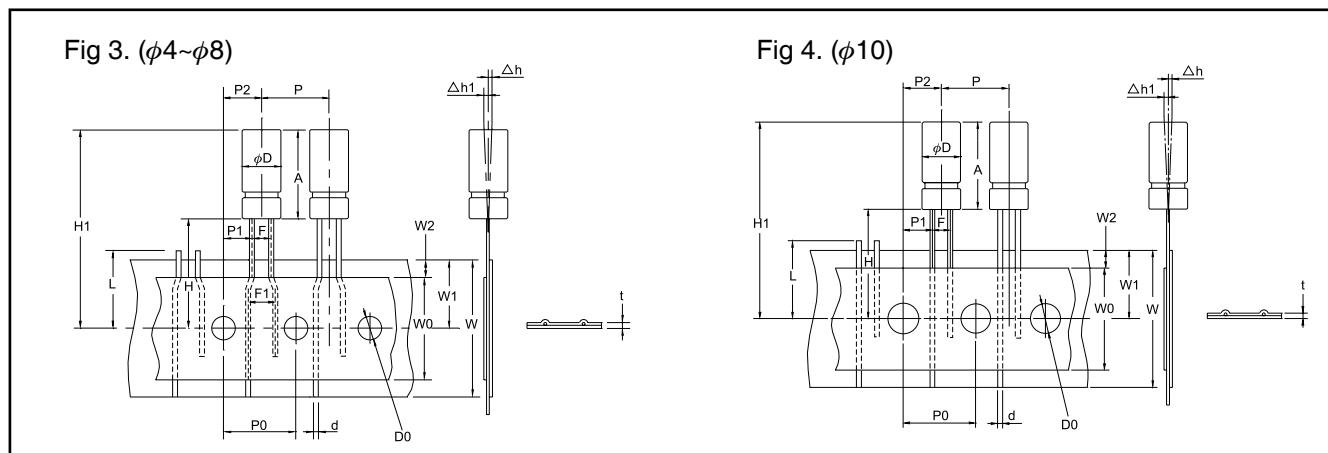
### ■ DIMENSIONS ( $\phi 4 \sim \phi 10$ )

(mm)

Item	Symbol	Case Size													Tolerance	Remark	
		4 x 5	5 x 5	6.3x5	8 x 5	4 x 7	5 x 7	6.3x7	8 x 7	5 x 11	6.3x11	8 x 11.5	10x12.5	10x16			10x18
Lead wire diameter	d	0.45					0.5				0.6				$\pm 0.05$		
Body height	A	6.0			8.0				12.5	13	14	17.5	19.5	21.5	max		
Intervals of bodies	P	12.7													$\pm 1.0$		
Intervals of punched holes	P <sup>0</sup>	12.7													$\pm 0.2$		
Distance between holes and lead wire	P <sub>1</sub>	3.85													$\pm 0.7$	Fig 1. Fig 4.	
		5.35	5.1	5.1			5.35	5.1	5.1		5.1						Fig 2.
		5.6	5.35	5.1	5.1	5.6	5.35	5.1	4.6	5.35	5.1	4.6					Fig 3.
Distance between holes and bodies	P <sub>2</sub>	6.35													$\pm 1.0$		
Distance between lead and lead	F	5.0													+0.8 -0.2	Fig 1. Fig 4.	
		2.0	2.5	2.5			2.0	2.5	2.5		2.5						Fig 2.F1:5.0
		1.5	2.0	2.5	2.5	1.5	2.0	2.5	3.5	2.0	2.5	3.5					Fig 3.F1:5.0
Base tape width	W	18.0													$\pm 0.5$		
Adhesive tape width	W <sup>0</sup>	12.5													min		
Deviation between holes and base tape	W <sub>1</sub>	9.0													$\pm 0.5$		
Deviation between adhesive and base tape	W <sub>2</sub>	1.5													max		
Distance between body bottom and tape center	H	17.5					18.5				20.0	18.5				$\pm 0.5$	Fig 1. Fig 4.
		17.5					18.5				18.5						Fig 2. Fig 3.
Lead wire clinched height	H <sup>0</sup>	16.0													$\pm 0.5$		
Distance between body top and tape center	H <sub>1</sub>	24.5			27.5				32.5			33.0	36.0	38.0	41.0	max	
Punched hole diameter	D <sup>0</sup>	4.0													$\pm 0.3$		
Length of not good lead slit	L	11.0													max		
Base and adhesive tape thickness	t	0.6													$\pm 0.3$		
Deviation of body alignment	$\Delta h$	0													$\pm 2.0$		
Deviation of body alignment	$\Delta h_1$	0													$\pm 1.0$		

Fig 1. ( $\phi 4 \sim \phi 8$ )Fig 2. ( $\phi 4 \sim \phi 5$ )

# LEAD STYLE & TAPING AVAILABILITY

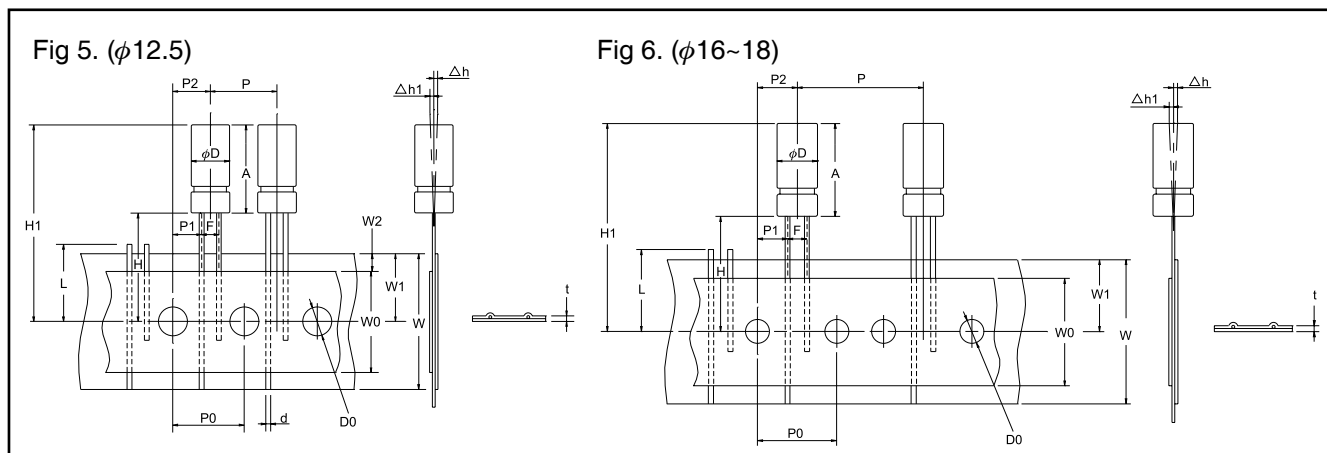


## DIMENSIONS ( $\phi 12.5 \sim \phi 18$ )

(mm)

Item	Symbol	Case Size							Tolerance	Remark
		12.5 x 20	12.5 x 25	12.5 x 30	16 x 25	16 x 31.5	16 x 35.5	18 x 35.5		
Lead wire diameter	d	0.6			0.8				$\pm 0.05$	
Body height	A	21.5	26.5	31.5	26.5	33	37.0	37.0	max	
Intervals of bodies	P	15.0			30.0				$\pm 1.0$	Fig 5. Fig 6.
Intervals of punched holes	P <sup>0</sup>	15.0			15.0				$\pm 0.2$	
Distance between holes and lead wire	P <sub>1</sub>	5.0			3.75				$\pm 0.7$	
Distance between holes and bodies	P <sub>2</sub>	7.5			7.5				$\pm 1.0$	
Distance between lead and lead	F	5.0			7.5				+0.8 -0.2	
Base tape width	W	18.0			18.0				$\pm 0.5$	
Adhesive tape width	W <sub>0</sub>	15.0			15.0				min	
Deviation between holes and base tape	W <sub>1</sub>	9.0			9.0				$\pm 0.5$	
Deviation between adhesive and base tape	W <sub>2</sub>	1.5			1.5				max	
Distance between body bottom and tape center	H	16.5			18.5				$\pm 0.5$	Fig 5. Fig 6.
Distance between body top and tape center	H <sub>1</sub>	40.5	45.5	50.5	46.5	53.5	56.5	56.5	max	
Punched hole diameter	D <sup>0</sup>	4.0			4.0				$\pm 0.3$	
Length of not good lead slit	L	11.0			11.0				max	
Base and adhesive tape thickness	t	0.6			0.6				$\pm 0.3$	
Deviation of body alignment	$\Delta h$	0			0				$\pm 2.0$	
Deviation of body alignment	$\Delta h_1$	0			0				$\pm 1.0$	

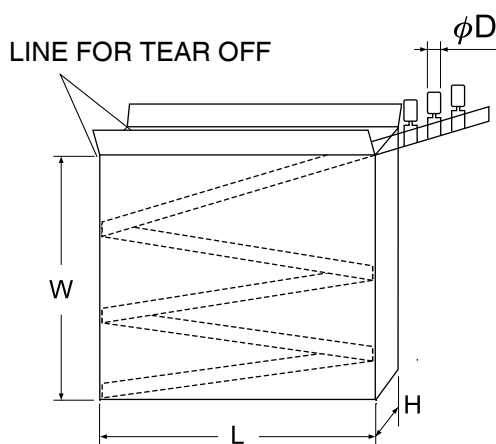
# LEAD STYLE & TAPING AVAILABILITY



## PACKING (SYMBOL : P)

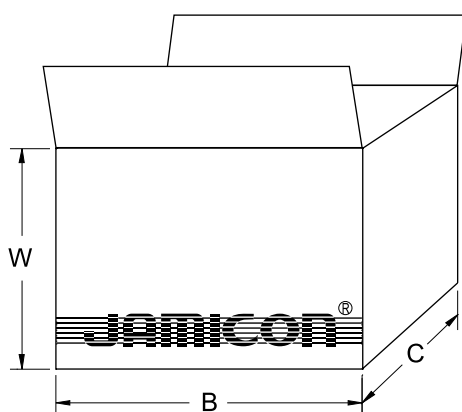
Available for various automatic equipment. Choosing the ordinal the polarity of capacitor's lead depends on customer's request.

## INNER BOX :



$\phi D$ (mm)	$W \pm 5$ (mm)	$L \pm 5$ (mm)	$H \pm 5$ (mm)	Quantity(Pcs)
4	175	335	45	2,000
5	235	335	50	2,000
6.3	280	335	50	2,000
8	235	335	50	1,000
10(L $\leq$ 16)	295	320	50	800
10(L $\leq$ 20)	295	320	55	800
12.5(L $\leq$ 20)	295	320	55	500
12.5(L $\leq$ 25)	295	320	60	500
12.5(L $\leq$ 30)	295	320	70	500
16(L $\leq$ 25)	295	320	60	300
16(L $\leq$ 31.5)	295	320	70	300
16(L $\leq$ 35.5)	300	320	70	300
18(L $\leq$ 35.5)	300	320	70	240

## PACKING CARTON :



$\phi D$ (mm)	$A \pm 5$ (mm)	$B \pm 5$ (mm)	$C \pm 5$ (mm)	Inner Box	Quantity(Pcs)
4	240	355	185	5	10,000
5	270	355	250	5	10,000
6.3	270	355	300	5	10,000
8	270	355	250	5	5,000
10(L $\leq$ 16)	290	345	320	5	4,000
10(L $\leq$ 20)	315	345	320	5	4,000
12.5(L $\leq$ 20)	315	345	320	4	2,000
12.5(L $\leq$ 25)	340	345	320	4	2,000
12.5(L $\leq$ 30)	370	345	320	4	2,000
16(L $\leq$ 25)	340	345	320	4	1,200
16(L $\leq$ 31.5)	370	345	320	4	1,200
16(L $\leq$ 35.5)	385	345	320	4	1,200
18(L $\leq$ 35.5)	385	345	320	4	960

# LEAD STYLE & TAPING AVAILABILITY

## ● Lead Style & taping

Item List	Code	Lead Diameter (mm)	Case Size DxL(mm)	Range	Dimensions	
Lead Style	Lead Cut	C	0.5~0.8	5 x 11 } 18 x 40	$\phi 5 \sim \phi 18$	
	Lead Forming Cut	F	0.5~0.6	5 x 11 } 8 x 11.5	$\phi 5 \sim \phi 8$	
	Snap-in	Y	0.5~0.8	5 x 11 } 18 x 40	$\phi 5 \sim \phi 8$  $\phi 10 \sim \phi 18$	
Lead Taping	P	0.45~0.8	4 x 5 } 18 x 35.5	$\leq \phi 18$	$\phi 4 \sim \phi 8$ : See Fig 1. (page 8)  $\phi 10$ : See Fig 4. (page 9) 	