

LARGE CAN TYPE

MP

Series

Screw Terminal, Wide Temperature Range

JAMICON®

- High temperature 85°C, high ripple current and high reliability.
- Long life for 5000 hours.



SPECIFICATION

Item	Characteristic			
Operation Temperature Range	-40 ~ +85°C			
Rated Working Voltage	350 ~ 450VDC			
Capacitance Tolerance (120Hz 20°C)	±20%(M)			
Leakage Current (20°C)	I ≤ 0.02CV or 5 (mA) I : Leakage Current (μA)		*Whichever is smaller after 5 minutes C : Rated Capacitance (μF) V : Working Voltage (V)	
Surge Voltage (20°C)	W.V.	350	400	450
	S.V.	400	450	500
Dissipation Factor (tan δ)(MAX) (120Hz 20°C)	W.V.	350	400	450
	tan δ	0.15	0.15	0.15
Low Temperature Stability	Impedance ratio at 120Hz			
	Rated Voltage (V)	350~450		
	-25°C / +20°C	8		
Load Life	After 5000 hours application of W.V. and +85°C ripple current value, the capacitor shall meet the following limits. (DC + ripple peak voltage ≤ rate working voltage)			
	Capacitance Change	≤ ±20% of initial value		
	Dissipation Factor	≤ 200% of initial specified value		
	Leakage current	≤ initial specified value		
Shelf Life	At +85°C no voltage application after 1000 hours, the capacitor shall meet the limits for load life characteristics. (with voltage treatment)			

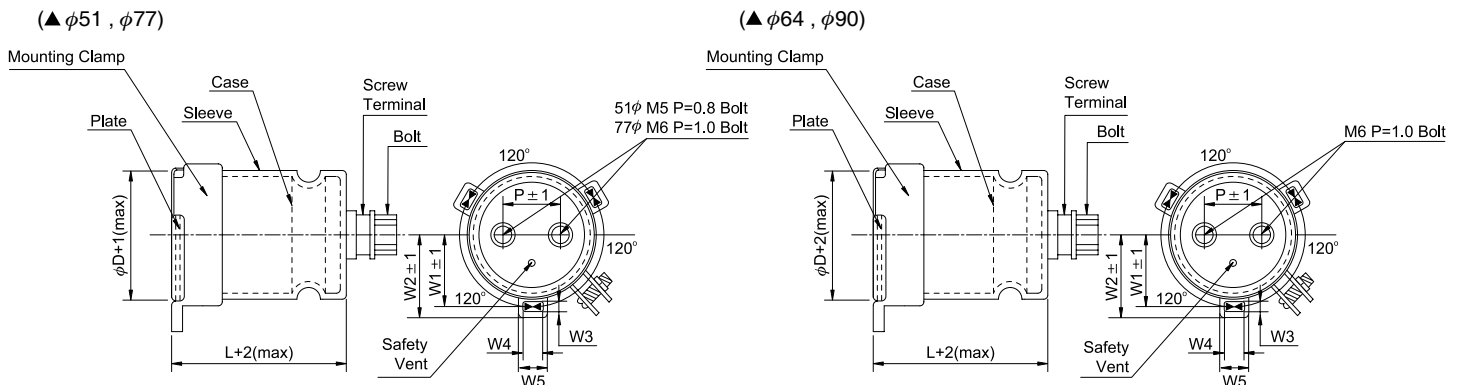
TERMINAL TYPE

φD	W1	W2	W3	W4	W5	P
51	32.5	37.5	4.5	7.0	13.0	22.0
64	38.5	42.8	4.5	7.0	13.0	28.5
77	44.8	49.0	4.5	7.0	13.0	32.0
90	52.3	58.8	5.0	8.0	16.0	32.0

RIPPLE CURRENT COEFFICIENTS

Frequency(Hz)	60	120	300	1k	≥10k
Multiplier	0.70	1.00	1.10	1.30	1.40

Temperature(°C)	40	60	85
Multiplier	1.89	1.67	1.00



MP Series

JAMICON®

● CASE SIZE & MAX RIPPLE CURRENT

Case size : D x L (mm)
Max ripple current : A(rms) 85°C 120Hz

μF	V(Code) Code	φD	350 (2V)				400 (2G)				450 (2W)			
			51	64	77	90	51	64	77	90	51	64	77	90
1000	102						75				75			
							4.76				4.99			
1200	122		75				75				96			
			5.21				5.21				6.09			
1500	152		75				96				115			
			5.82				6.48				7.38			
1800	182		96				96				130			
			7.10				7.10				8.54			
2200	222		96				130				96			
			7.85				8.99				8.93			
2700	272		130					96			115			
			9.97					9.64			10.69			
3300	332		130					115			130			
			11.02					11.53			12.48			
3900	392			115				130			155	115		
				12.53				13.23			14.68	13.56		
4700	472			130				155	115		195	130		
				14.53				15.72	14.10		17.91	15.69		
5600	562			155	115			195	130			155		
				17.16	15.39			19.06	16.23			18.51		
6800	682			195	130				155				157	
				21.00	17.88				19.33					21.21
8200	822				155					157			157	
					21.22					22.64				23.29
10000	103					157				157			196	
						25.00				25.00				28.37
12000	123					157				196			236	
						27.39				30.22				33.80
15000	153					196				236				
						33.78				36.74				
18000	183					236							L(mm)	
						40.25								R.C.